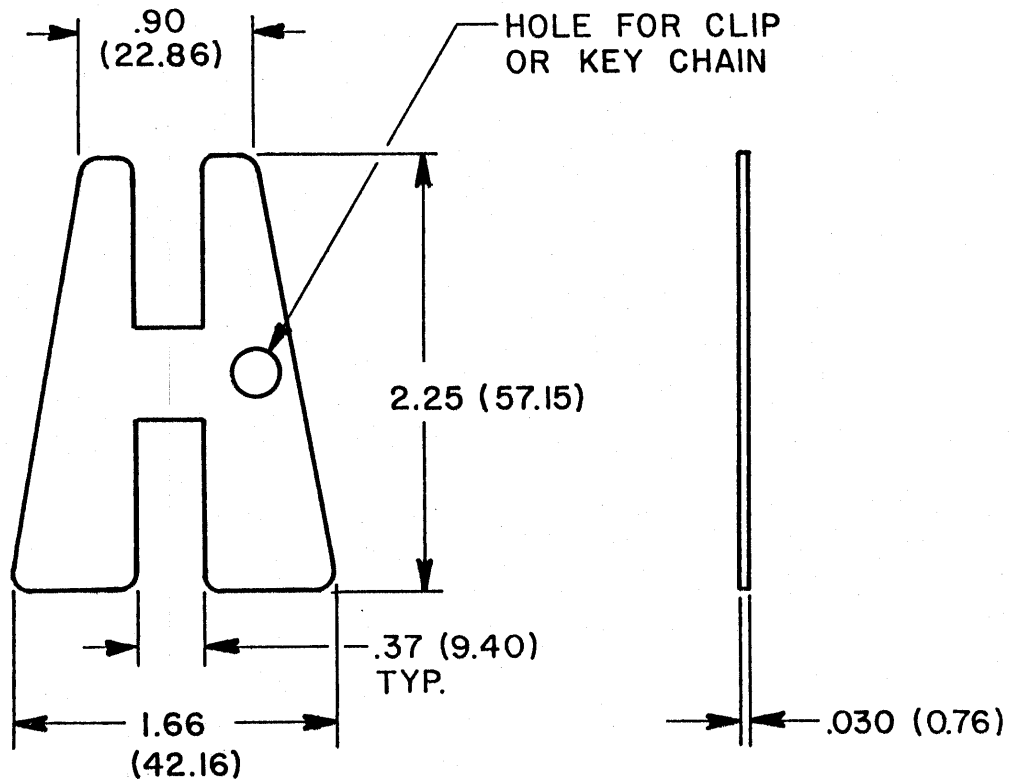


REVISIONS			
LTR	DESCRIPTION	DATE	APPROVED
D	CHG'D PER DCO#T-03333	W.J. 12-14-81	<i>[Signature]</i>
E	REVISED PER ECN - 03653	8-18-82	73
F	REVISED PER ECN #T-20349	8/2/95	HAGMANN



NOTES:

1. REMOVAL TOOL IS TO BE USED ON MTC SERIES CONNECTOR WAFERS.
2. DIMENSIONS IN BRACKETS () ARE METRIC (M.M.).

**If this document is printed it becomes uncontrolled.
Check with the web for latest revision.**

DO NOT SCALE THIS DRAWING		SPECIFICATION CONTROL DRAWING			
UNLESS OTHERWISE SPECIFIED DIMENSIONS ARE IN INCHES AND TOLERANCES ARE: .XXX : ± .005 (.13) .XX : ± .03 (0.76) ___ : ± ___	DRAWN	<i>Melen 2/2/77</i>	RAYCHEM RAYCHEM CORPORATION 300 CONSTITUTION DRIVE MENLO PARK, CALIFORNIA 94025		
	CHECKED	<i>R.M. Keel 2/16/77</i>			
MATERIAL PLASTIC	APPROVED	<i>[Signature] 2-2-77</i>	TITLE MTC CONNECTOR WAFER REMOVAL TOOL NO. D659-0001		
	APPROVED				
FINISH —	PART NO.		SIZE A	CODE IDENT. NO. 06090	DWG. NO. D659-0001
	PROJECT	—	SCALE FULL	WEIGHT —	SHEET — OF —