

NOTES:

NO.	DESCRIPTION	MATERIAL	ENG. NO.	REMARK
1	SINGLE SOCKET- B TYPE	POLYAMIDE(PA66)	49510-020*	LCL=35mm
2	POSITIVE TERMINAL	PHOSPHOR BRONZE	35438-8000	UNPLATED
3	EARTH TERMINAL	PHOSPHOR BRONZE	35439-8000	UNPLATED

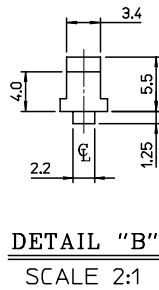
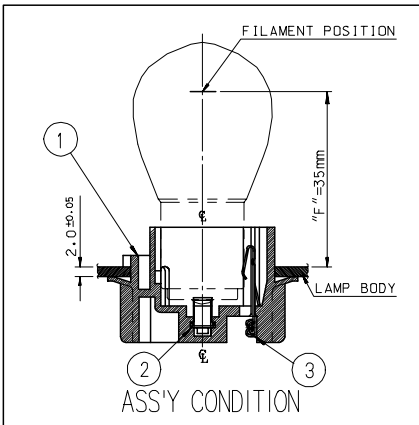
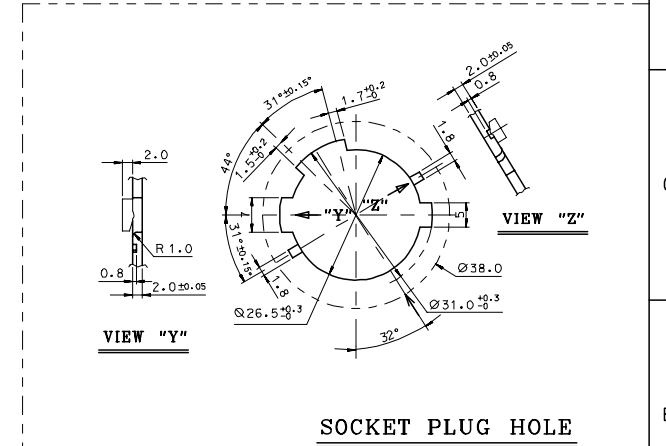
MXK SERIES NO.

49510 - * * * *

CIRCUIT NO.

- SOCKET COLOR
- 0: NATURAL
 - 1: BLACK
 - 2: RED
 - 3: YELLOW
 - 4: BLUE
 - 5: GRAY
 - 6: WHITE
 - 7: BROWN
 - : ON THE MARKET

- 0: 'A' TYPE
- 1: 'B' TYPE
- 2: 'C' TYPE
- 3: 'EC' TYPE
- 4: 'D' TYPE



CHANGED OF NOTES EC NO: KOR2008-0095 DRW: EOKIM 2007/11/29 CHKD: BCY00N 2007/11/30 APPR: YUNSIKKIM 2007/11/30	QUALITY SYMBOLS	GENERAL TOLERANCES (UNLESS SPECIFIED)	DIMENSION STYLE	SCALE	DESIGN UNITS	THIRD ANGLE PROJECTION
	▽=0	mm INCH	MM ONLY	1:1	METRIC	
	∇=0					

4 PLACES ± --- ± ---	DRAWN BY	DATE	TITLE
3 PLACES ± --- ± ---	SMK IM	2004/05/12	NON-SEALED BULB SOCKET SINGLE HOUSING-B TYPE (LCL=35MM)
2 PLACES ± 0.2 ± ---	CHECKED BY	DATE	
1 PLACE ± 0.3 ± ---	BCY00N	2004/05/12	
ANGULAR ± 1 °	APPROVED BY	DATE	
	CWLEE	2004/05/12	
DRAFT WHERE APPLICABLE MUST REMAIN WITHIN DIMENSIONS	MATERIAL NO.	DOCUMENT NO.	SHEET NO.
	49510020*	SD-49510-001	1 OF 1

SIZE	THIS DRAWING CONTAINS INFORMATION THAT IS PROPRIETARY TO MOLEX INCORPORATED AND SHOULD NOT BE USED WITHOUT WRITTEN PERMISSION	
A3		