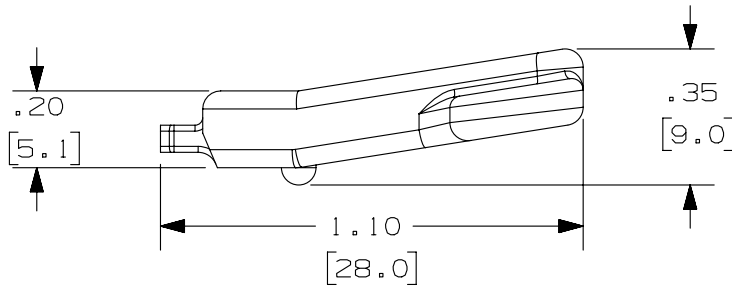
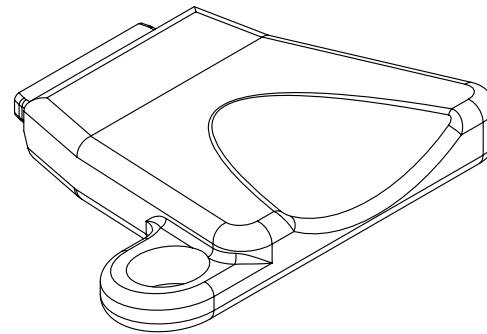
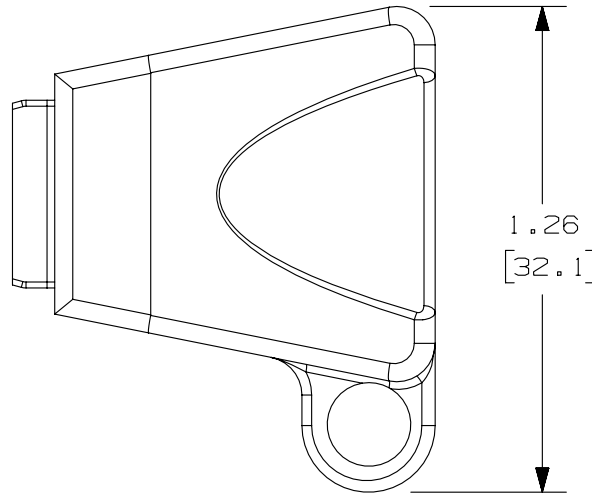



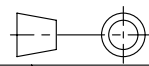
THIS COPY IS PROVIDED ON A RESTRICTED BASIS AND IS NOT TO BE USED IN ANY WAY DETRIMENTAL TO THE INTERESTS OF PANDUIT CORP.

| | |
|-------------|-----------------------------------|
| PANDUIT P/N | WEIGHT |
| CJT | .0066 LB/50 PCS (3.02g/50 PCS) |

NOTES:

- SEE CURRENT CATALOG FOR ADDITIONAL PART NUMBER SUFFIXES TO INDICATE COLOR AND OR PACKAGE QUANTITY.
- DIMENSIONS IN [] ARE IN METRIC.



| | | | |
|---|---|---|----------|
| PART NUMBER | | CJT | |
| TITLE | | | |
| CATEGORY 3 AND 5e JACK TERMINATION TOOL | | | |
| CUSTOMER DRAWING | | | |
| ITEM REVISION NAME | | D35071CD/00 | |
| DATASET FILE NAME | | D35071CD_DC/00E | |
| UNLESS OTHERWISE SPECIFIED, DIMENSIONAL TOLERANCES ARE: IN [mm] | |  MATERIAL: NYLON | |
| .x ± .xx ± .03 [.8] .xxx ± .010 [.3] ANGLES ± | | | |
| DRAWING NUMBER: | | 35071-33 | |
| THIRD ANGLE PROJECTION |  | | |
| DRAWN BY | DATE | CHK | SCALE |
| JBA | 1-30-96 | CEF | NONE |
| REV | DATE | BY | CHK |
| 3 | 5/30/14 | JSP | REFR |
| APR | DESCRIPTION | | ECN |
| EJH | REVISED AND REDRAWN, PREVIOUS REVISIONS HAVE BEEN OMITTED. | | 35071-33 |
| SHT 1 OF 1 | | SIZE | |
| A | | A | |

D101000DA/14