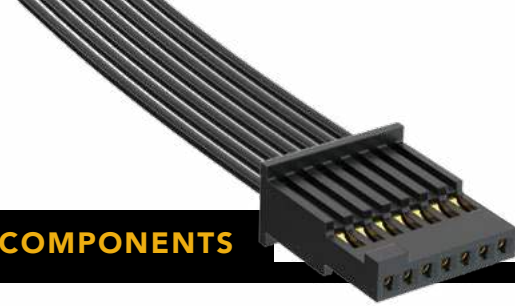


**(1.27 mm) .050" PITCH • DISCRETE WIRE ASSEMBLY/COMPONENTS**



SERIES	POSITIONS PER ROW	WIRE GAUGE	PLATING OPTION	ASSEMBLED LENGTH	END OPTION	END 2 OPTION
--------	-------------------	------------	----------------	------------------	------------	--------------

**SFSS**  
= Single Row  
PVC Cable

**SFSS(T)**  
= Single Row  
Blue \*Teflon® Cable

**-03, -04, -05,  
-07, -10, -15,  
-20, -25, -40, -50**  
(Standard sizes)

**-28**  
= 28 AWG

**-28C**  
= Color  
Coded Cable  
(SFSS only)

**-30**  
= 30 AWG

**-G**  
= 10 μm  
(0.25 μm)  
Gold on  
contact,  
Gold Flash  
on balance

**-"XX.XX"**  
= Assembled  
Length in Inches  
(76.20 mm)  
03.00" min. for  
-S end option  
(82.60 mm)  
03.25" min. for  
-D end option

**-S**  
= Single Ended

**-D**  
= Double Ended

**-SR**  
= Single Ended  
Retention Latch  
(TFM-WT option  
required for mating)

**-DR**  
= Double Ended  
Retention Latch  
(TFM-WT option  
required for mating)

Requires  
-D or -DR  
(End 1 Notch Up)

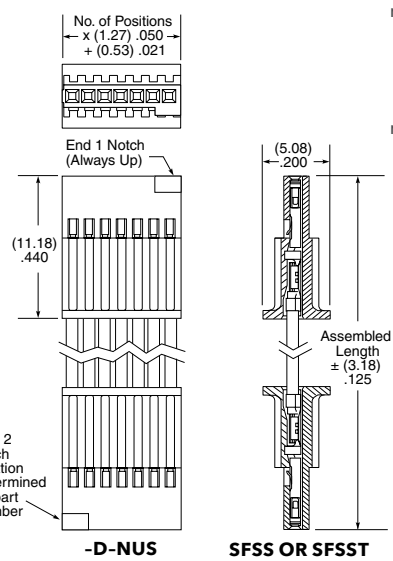
**-NUS**  
= Notch up,  
straight  
(Pin 1 to Pin N)

**-NDS**  
= Notch down,  
straight  
(Pin 1 to Pin 1)

**SFSS(T)  
Board Mates:**  
TFM, TFC  
(-SR & -DR requires  
-WT option)

**-28C CABLE  
COLOR CODING**

PIN	COLOR
1	BROWN
2	RED
3	ORANGE
4	YELLOW
5	GREEN
6	VIOLET
7	GRAY
8	WHITE
9	BLACK
10	BLUE
ETC	REPEAT



\*DuPont™ Teflon® is a registered trademark of the E.I. du Pont de Nemours and Company or its affiliates.

**Notes:**  
Teflon® cable is intended for crimp only. Contact Samtec for solderable cable applications.

For wiring option information refer to drawings on web.

**SPECIFICATIONS**

**Insulator Material:**  
Black LCP

**Contact Material:**  
BeCu

**Plating:**  
Au over 50 μ" (1.27 μm) Ni

**Current Rating:**  
2.9 A per pin (2 pins powered)

**Operating Temp Range:**  
-10 °C to +80 °C (PVC)  
-40 °C to +125 °C (\*Teflon®)

**Voltage Rating:**  
275 VAC (PVC)  
235 VAC (\*Teflon®)

**Wire:**  
28 or 30 AWG

View complete specifications at: [samtec.com?SFSS](http://samtec.com?SFSS) & [samtec.com?SFSST](http://samtec.com?SFSST)

ISDF	POSITIONS PER ROW	ROW OPTION	OPTION	SERIES	WIRE GAUGE	01	PLATING
------	-------------------	------------	--------	--------	------------	----	---------

**-03, -04, -05,  
-07, -10, -15,  
-20, -25, -40, -50**  
(Standard sizes)

**-S**  
= Single Row

**-M**  
= Metal Retention Latch

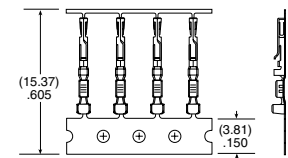
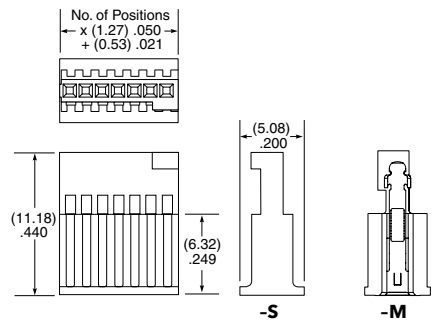
**CC03R**  
= Contact, Full Reel  
(35,000 Parts per Reel)

**CC03M**  
= Contact, Mini Reel  
(1,000 - 5,000 Parts per Reel)

**-2830**  
= 28 to 30 AWG

**-GF**  
= Gold flash contact

**-G**  
= 10 μ" (0.25 μm)  
Gold on contact



**TOOLING**

Hand Tool: CAT-HT-203-2830-12	Mini Applicator: CAT-MC-203-2830-XX-01
Clamp for mounting hand tool: CAT-HT-MNT-01	Extraction Tool: CAT-EX-169-01

**Note:**  
Some lengths, styles and options are non-standard, non-returnable.

View complete specifications at: [samtec.com?ISDF](http://samtec.com?ISDF), [samtec.com?CC03R](http://samtec.com?CC03R) & [samtec.com?CC03M](http://samtec.com?CC03M)