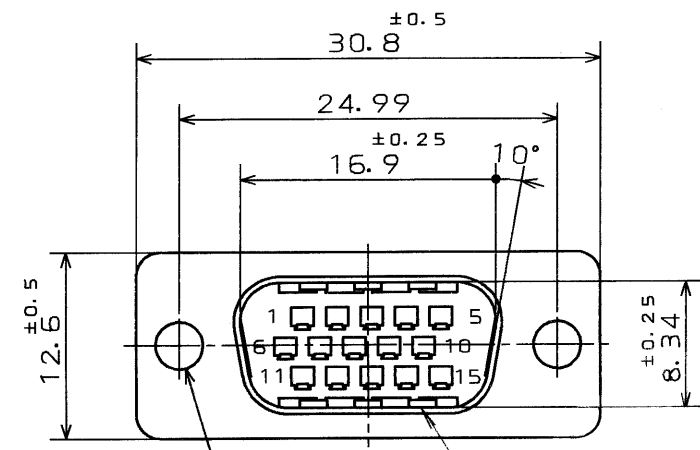


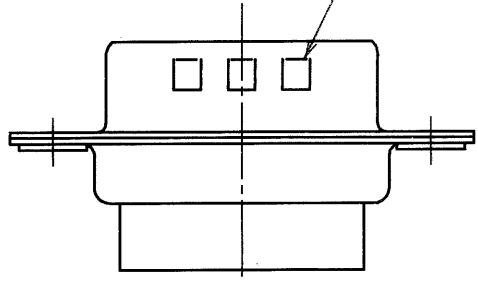
SJ021705-E

DWG. NO.

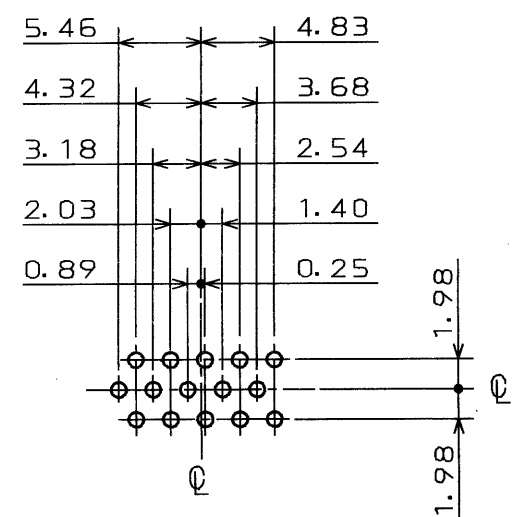
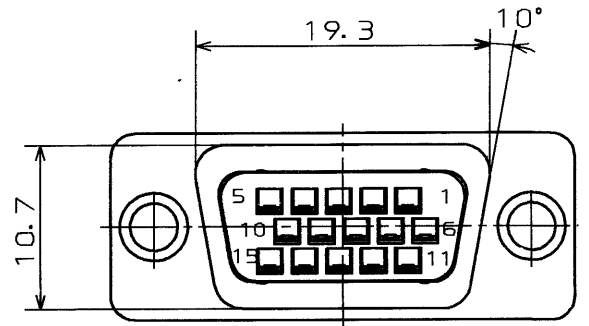
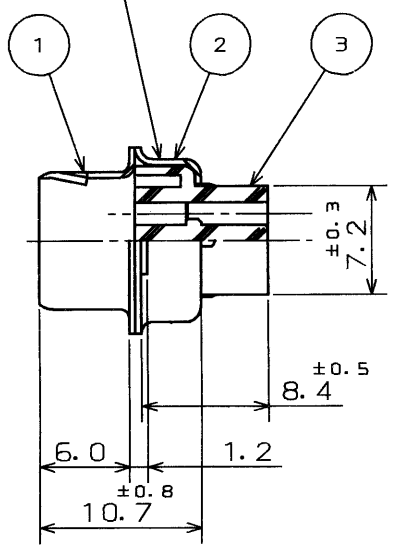
SYM	DCN NO.	DESCRIPTION	DATE	DRAWN	CHECKED	APP' D	APP' D



GROUNDING DIMPLE



NOTE 3



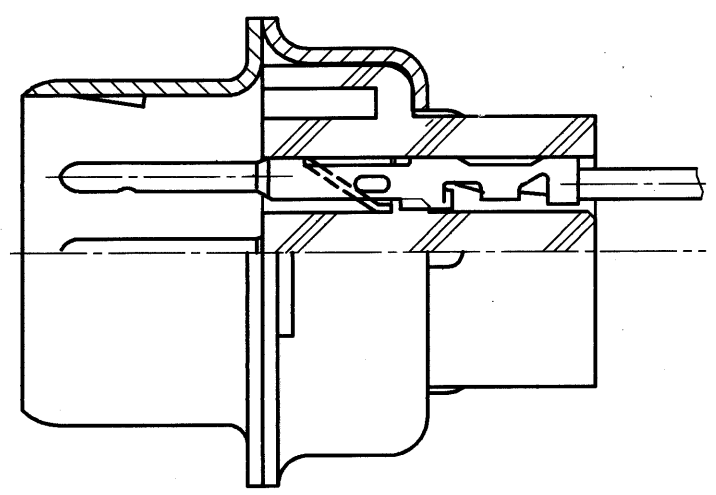
INSERT ARRANGEMENT (FRONT VIEW)

PART NUMBER EXPLANATION

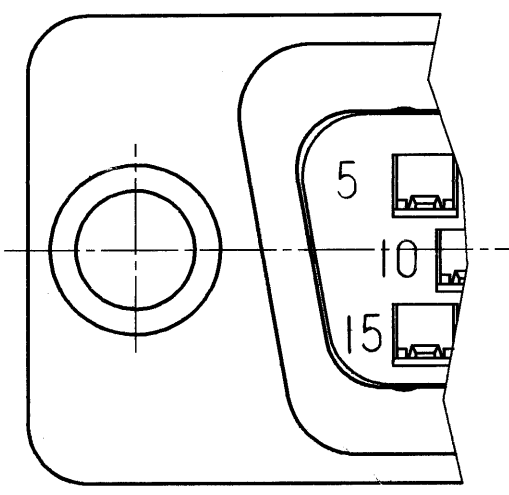
D02 - M 15 P G - N - FO

WITHOUT CONTACT
 STAMP CONTACT
 FCC TYPE, TIN PLATED SHELL
 PIN CONTACT
 NUMBER OF CONTACTS
 INSERT ARRANGEMENT PER MIL(MS-18273)
 SERIES PREFIX

- NOTE 1. CONTACT TO BE ORDERED SEPARATELY.
 2. FOR PANEL CUTOUT DIMENSIONS, SEE OUR DWG. SJ013596.
 3. MARKS "JAE" & P/N "D02M15PG" ARE SHOWN ON THIS PORTION.



PIN CONTACT INSERTED



DIMENSIONS ARE IN MILLIMETERS
 TOLERANCES ON: (INCHES)

DIMENSION	ANGLES
. ±	X° ±
.X ± 0.4	X°X' ±
.XX ± 0.13	CONCENTRICITY
.XXX ±	WITHIN T. J. R.

ITEM	DESCRIPTION	Q' TY	MATERIAL	FINISH	REMARKS
3	INSULATOR	1	GLASS FILLED NYLON		UL94V-0, BLACK
2	REAR SHELL	1	STEEL	TIN PLATE	
1	FRONT SHELL	1	STEEL	TIN PLATE	EMBOSS

REFERENCE DOCUMENT T86-11 JACS-3050-2	DATE 9 JUN. '87	SCALE 2/1	TITLE D02-M15PG-N-FO	INDUSTRY, LTD.
MATERIAL	DRAWN E. MURANO	JAE CONNECTOR CO. JAPAN AVIATION ELECTRONICS		
TREATMENT	CHECKED Y. HAYASHI	Reference Only		
FINISH	APP' D <i>Y. Takouchi</i>	NAKAGAMI-CHO, AKISHIMA-SHI TOKYO, JAPAN		
	APP' D <i>H. Ishimoto</i>	SERIES	DWG. NO. SJ021705-E	

DOF-115A



SIZE A3