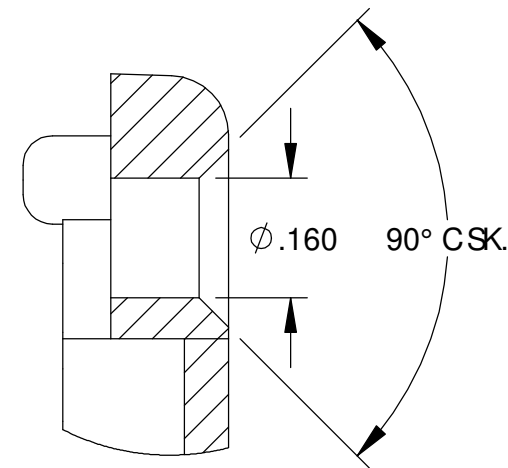


THE INFORMATION CONTAINED IN THIS DRAWING IS THE SOLE PROPERTY OF  
 BUD INDUSTRIES INC. ANY REPRODUCTION IN PART OR WHOLE WITHOUT  
 THE WRITTEN PERMISSION OF BUD INDUSTRIES INC. IS PROHIBITED.

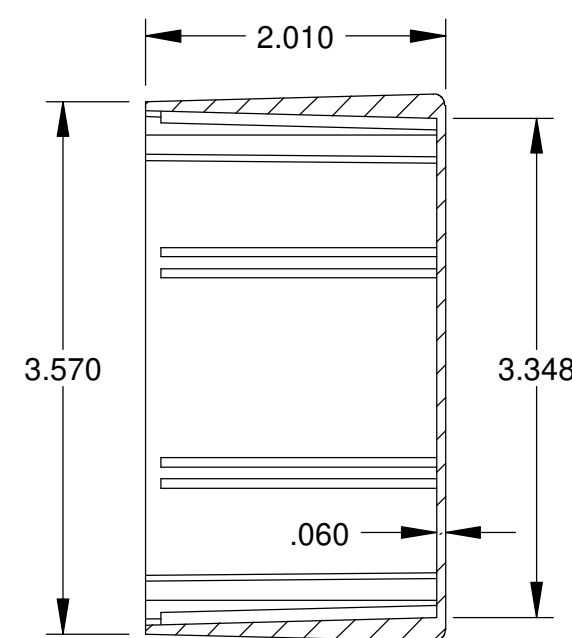
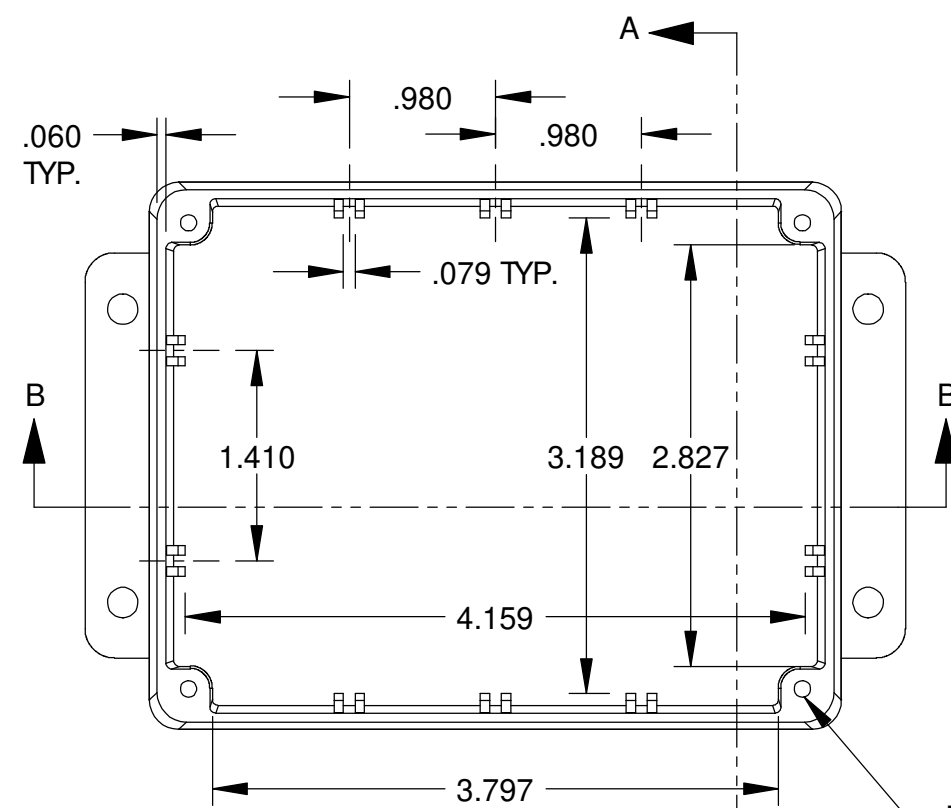
|          |           |
|----------|-----------|
| DWG. NO. | CN-6705   |
| ISSUE    | REVISIONS |

MATERIAL - ALUMINUM ALLOY #ADC-12  
 FINISH - NATURAL (CONTACT BUD FACTORY FOR  
 ALTERNATE FINISHES)  
 GASKET - RATED IP65 NEOPRENE, SELF-ADHESIVE,  
 3mm THICK, COLOR BLACK  
 SCREWS - STAINLESS STEEL, M3.5 x 12mm LG.,  
 CSK HEAD, SELF-THREADING

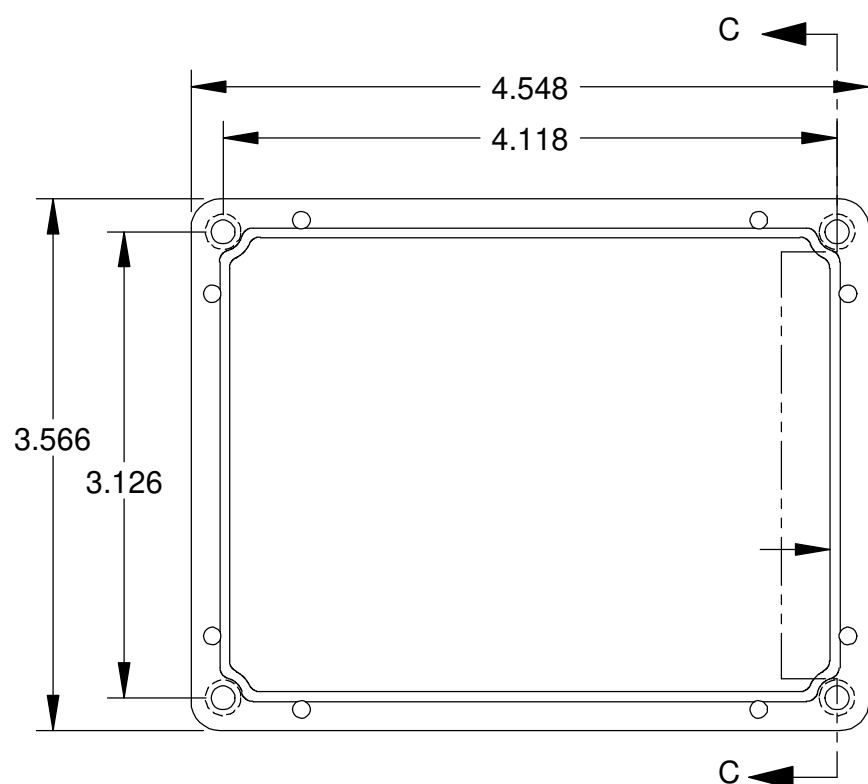
ALL HOLE DIAMETERS HAVE ±.005 TOLERANCE  
 ALL OTHER DIMENSIONS HAVE ±.015 TOLERANCE  
 ENCLOSURES ARE SHIPPED UNASSEMBLED WITH  
 ALL ITEMS SHOWN.



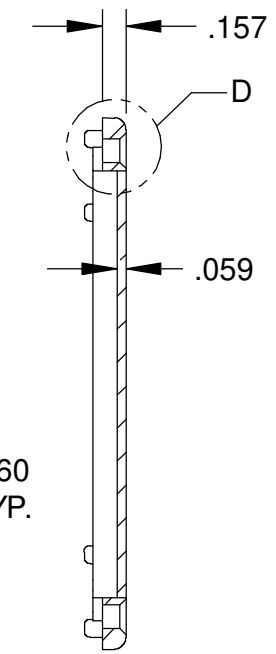
DETAIL D  
 SCALE 4 : 1



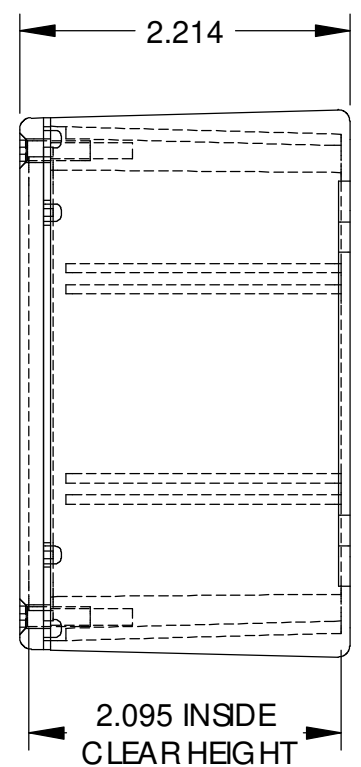
SECTION A-A



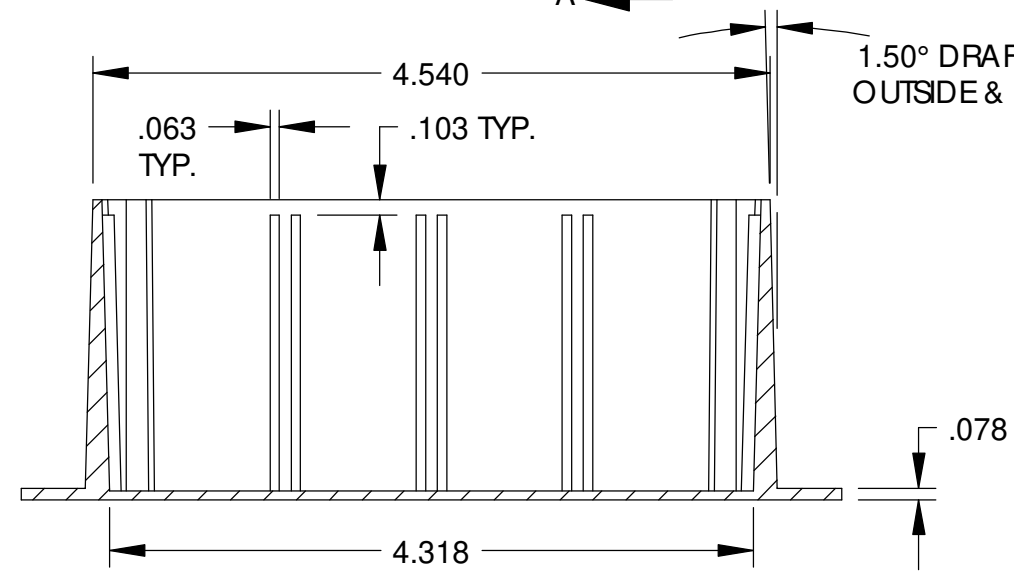
COVER



SECTION C-C



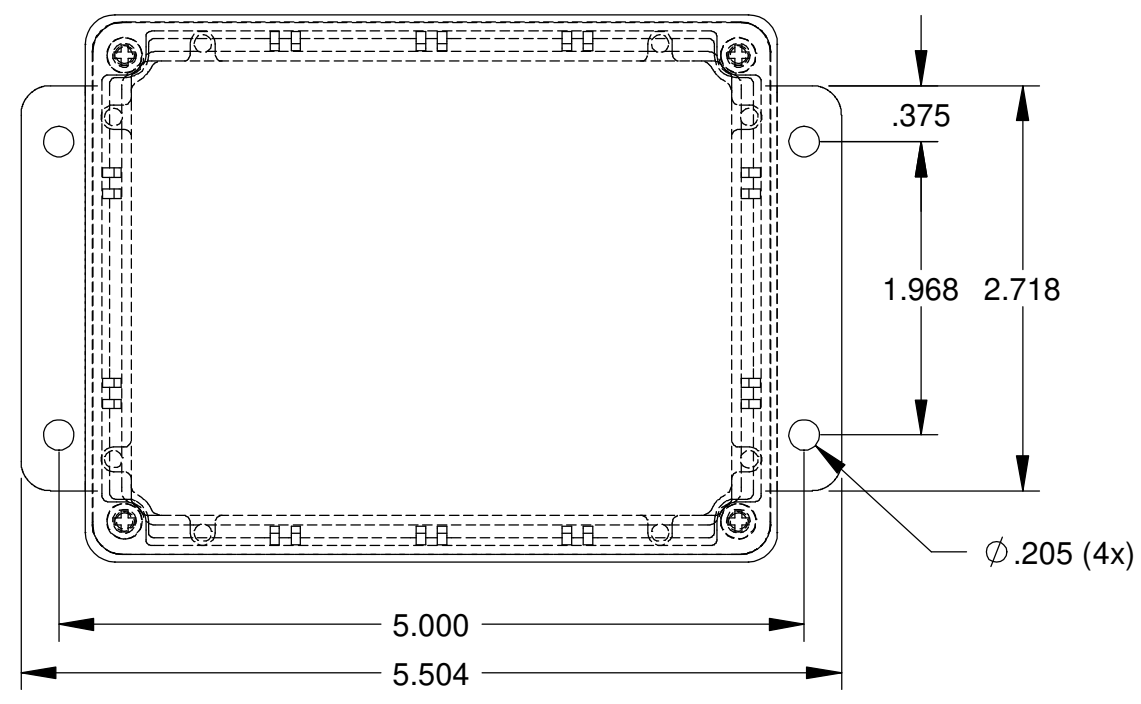
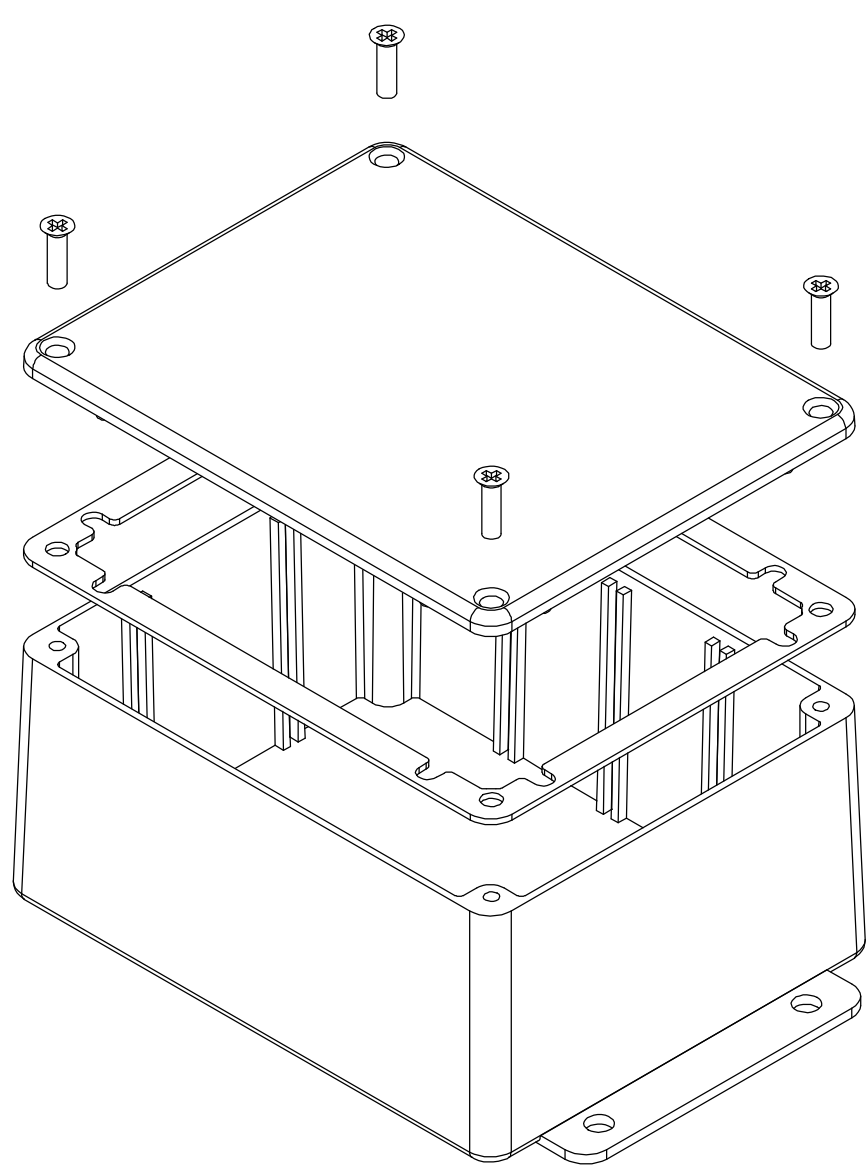
2.095 INSIDE CLEAR HEIGHT



SECTION B-B

TAPPED M3.5 (4x)  
 1.50° DRAFT REF.  
 OUTSIDE & INSIDE

BODY



| PARTS LIST                       |   |        |              |
|----------------------------------|---|--------|--------------|
| ±.005 BETWEEN HOLE CENTERS       | CAD GENERATED DRAWING, DO NOT MANUALLY UPDATE |        |              |
| ±.015 FROM SHEARED EDGE          | DO NOT MANUALLY UPDATE                        |        |              |
| ±.032 FROM A BENT SURFACE        | APPROVALS DATE                                |        |              |
| ±.062 BETWEEN ASSEMBLED SURFACES | DRAWN   | 4-3-06 |              |
| UNLESS OTHERWISE SPECIFIED       | CHECKED                                       |        |              |
| MATERIAL                         | AS NOTED                                      |        |              |
| FINISH                           | AS NOTED                                      |        |              |
| SCALE                            | DO NOT SCALE DRAWING                          |        |              |
| SIZE                             | C   |        |              |
| DWG. NO.                         | CN-6705                                       |        | REV.         |
| CAD FILE                         |   |        | SHEET 1 OF 1 |

|      |         |
|------|---------|
| QTY. | USED ON |
|------|---------|