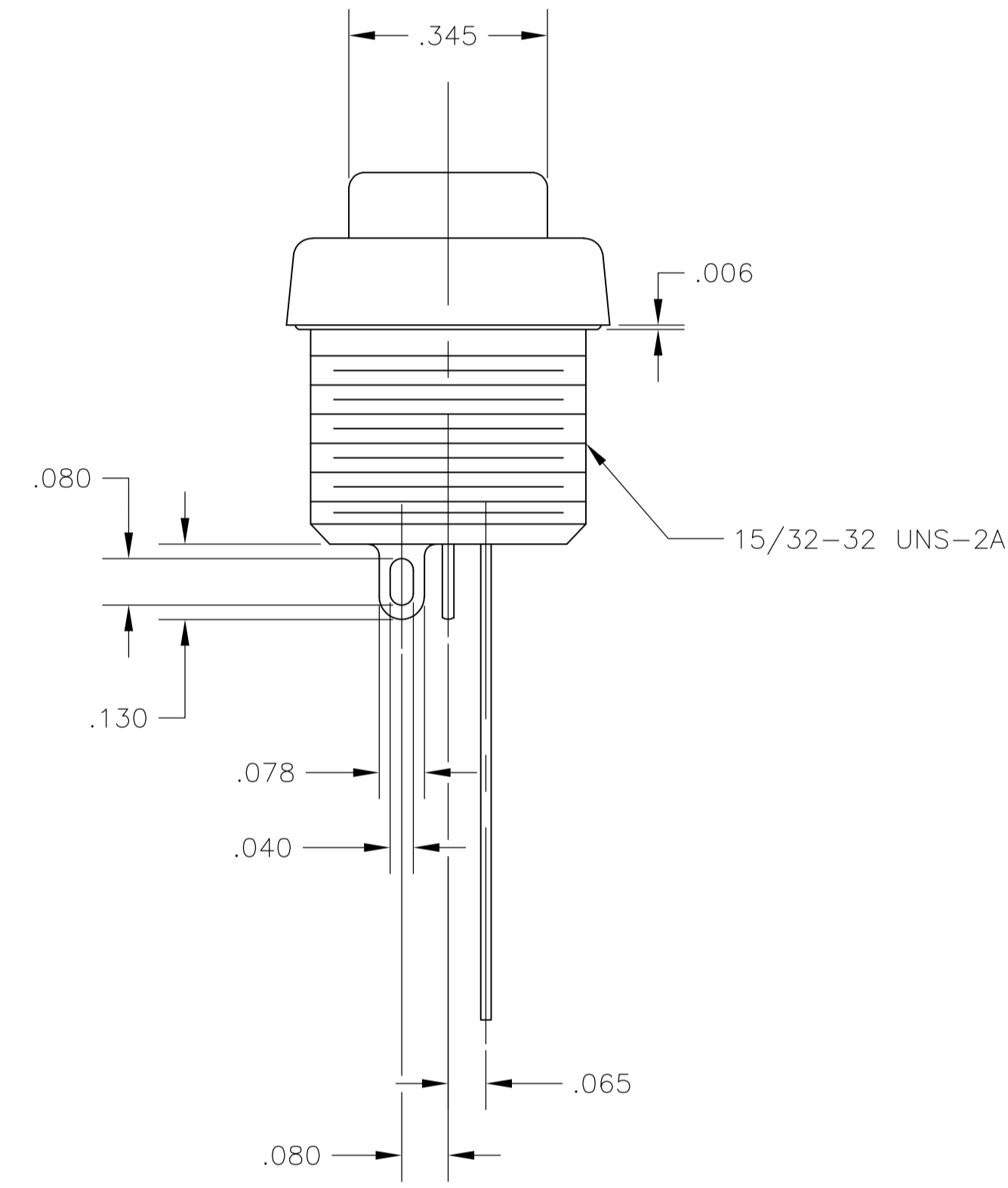
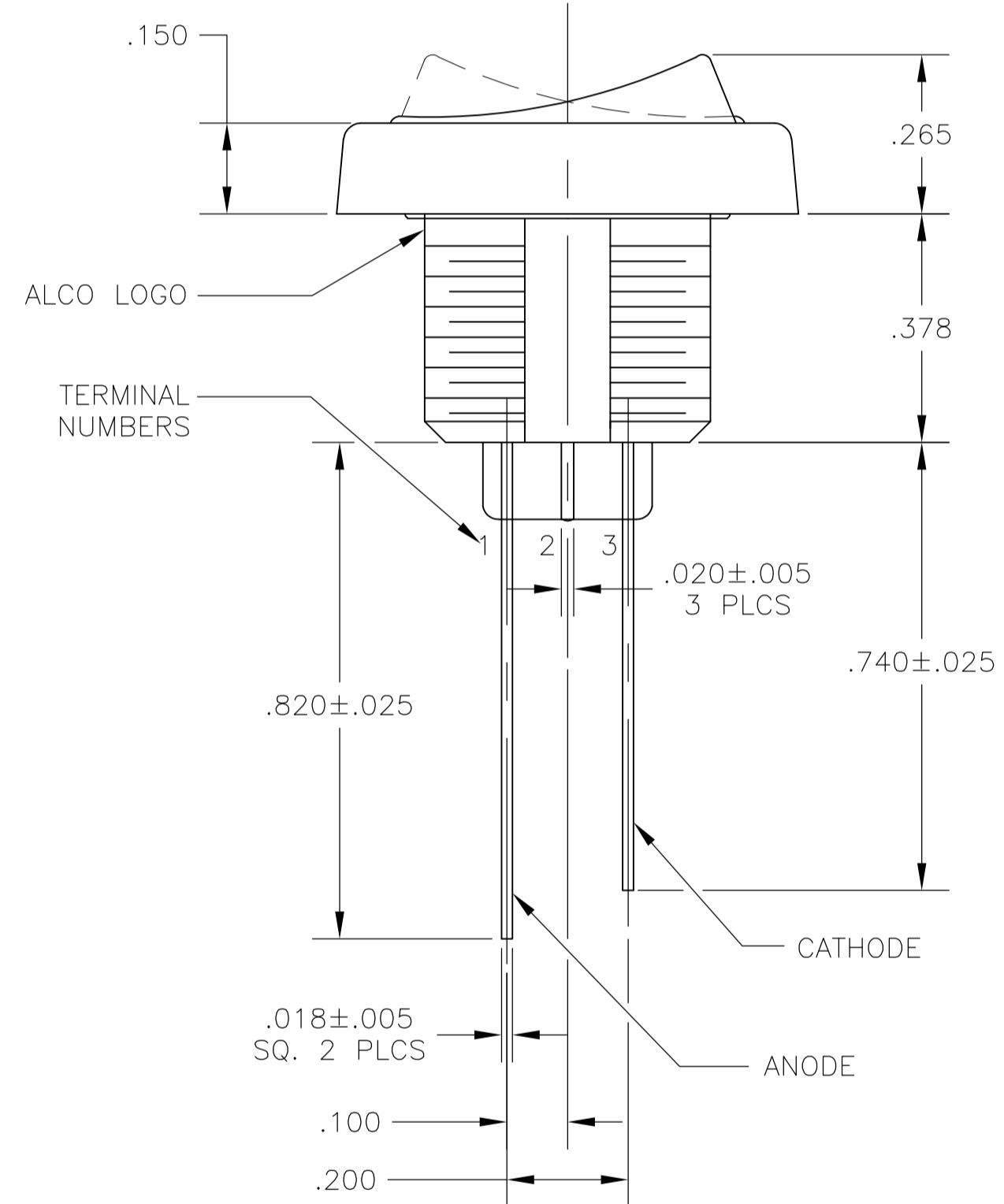
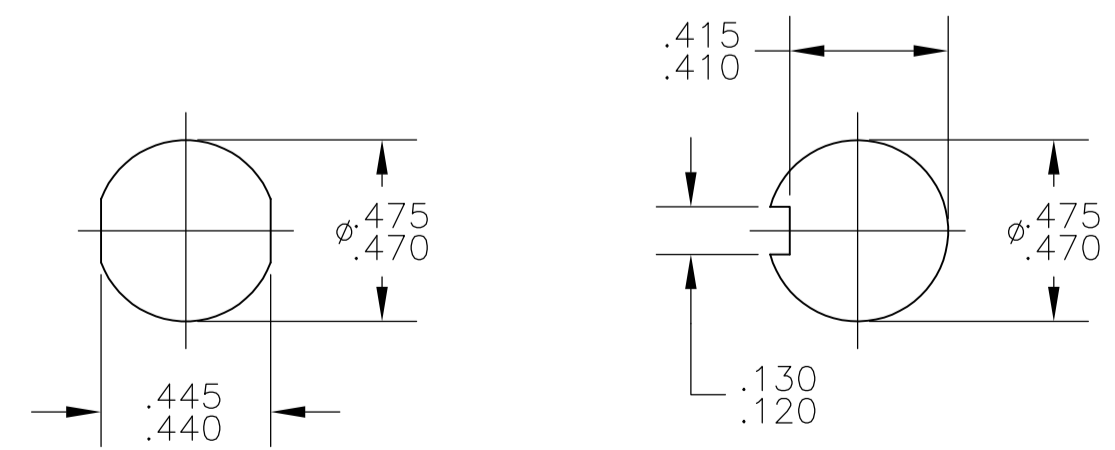


- NOTES:
1. ALL MATERIALS AND FINISHES COMPLY WITH EU DIRECTIVE 2002/95/EC OF 27JAN2003 (RoHS).
 2. TERMINAL NUMBERS ARE FOR REFERENCE ONLY AND DO NOT APPEAR ON THE SWITCHES.
 3. MOUNTING HARDWARE: (1) HEX NUT AND (1) INTERNAL TOOTH LOCKWASHER SUPPLIED WITH SWITCH.

MATERIAL CHART		
COMPONENT NAME	BASE MATERIAL	FINISH
CASE	PPO, BLACK, UL94-HB	
ROCKER	NYLON 6/6, BLACK, UL94-V2	
SPRING	MUSIC WIRE	
INSULATOR	POLYETHERIMIDE, NATURAL	
TERMINAL, END, D FUNCTION	BRASS	GOLD OVER NICKEL
TERMINAL, CENTER, D FUNCTION	BRASS	GOLD OVER NICKEL
ROCKER CONTACT	SILVER CLAD COPPER	
NUT	BRASS	NICKEL
LOCKWASHER	STAINLESS STEEL	
TERMINAL SEAL	ACRYLIC RESIN	
LED WINDOW	ACRYLIC, TRANSPARENT	
LED		



SPECIFICATION CHART	
RATING	.4A MAX @ 20 VDC OR PEAK AC
INITIAL CONTACT RESISTANCE	20 MILLIOHMS MAX.
INSULATION RESISTANCE	1,000 MEGAOHMS MIN @ 500 VDC
DIELECTRIC WITHSTANDING VOLTAGE	500 V RMS AT SEA LEVEL
ELECTRICAL LIFE, 2 POSITION	20,000 CYCLES
ELECTRICAL LIFE, 3 POSITION	60,000 CYCLES
MECHANICAL LIFE, 2 POSITION	100,000 CYCLES
MECHANICAL LIFE, 3 POSITION	50,000 CYCLES
OPERATING TEMPERATURE	-20°C TO +80°C
STORAGE TEMPERATURE	-45°C TO +95°C
LED VOLTAGE	2.8 VDC MAX.
LED FORWARD CURRENT, MAX.	RED: 20mA, GREEN: 25mA, RED/GREEN: 40mA



PANEL CUTOUTS
SCALE 2:1

FUNCTION CHART									
PART NUMBER	ALCO P/N	POLE	THROWS	RATING	LED COLOR				
1825424-1	TRD11D10WLLR504	1	2	0.4VA	GREEN	ON	NONE	ON	
						TERMINALS CONNECTED	2-1	-	2-3

NONE: NO MECHANICAL POSITION
 OFF: MECHANICAL POSITION WITH NO ELECTRIC CONNECTION
 (ON): MOMENTARY ACTION

THIS DRAWING IS A CONTROLLED DOCUMENT.		DIN: BSV	Tyco Electronics Corporation Harrisburg, Pa 17105-3608	
DIMENSIONS: INCHES		CHK: M.ZITTO	NAME: TRD SERIES ROCKER SWITCH, 1 POLE, .4VA, WIRE LUG TERMINALS WITH LED	
TOLERANCES UNLESS OTHERWISE SPECIFIED:		DATE: 17JUN06	APVD: M.ZITTO	
0 PLC	±	PRODUCT SPEC		
1 PLC	±	APPLICATION SPEC		
2 PLC	±	SIZE: A1		
3 PLC	±	CAGE CODE: 00779		
4 PLC	±	DRAWING NO: 1825424		
ANGLES	±	RESTRICTED TO: CUSTOMER DRAWING		
MATERIAL: SEE TABLE		FINISH: SEE TABLE		SCALE: 4:1
WEIGHT: --		SHEET: 1 OF 1		REV: A