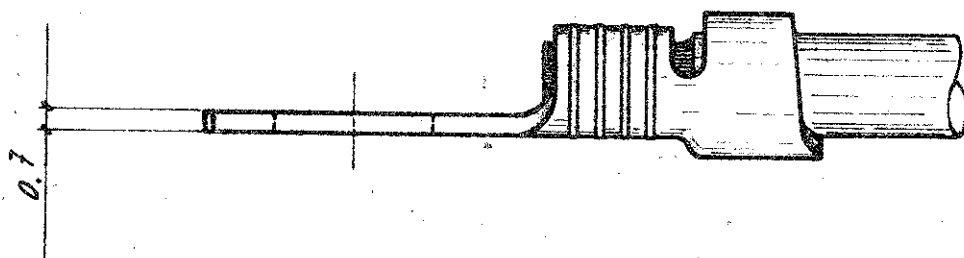
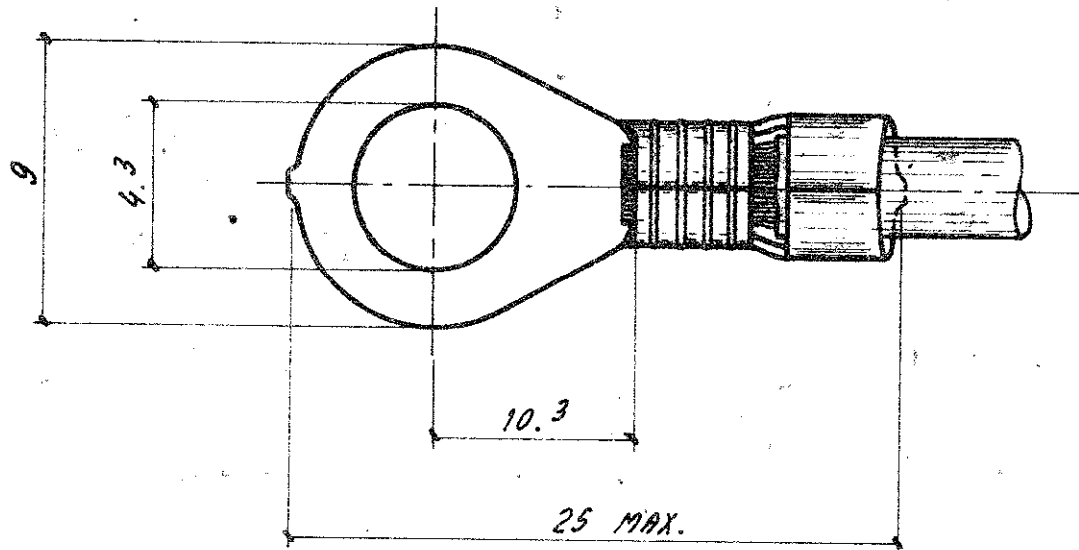


NUMBER
C-280261



DIMENSIONS IN mm/IN DO NOT SCALE PRINT

© 1970 BY AMP INCORPORATED. ALL RIGHTS RESERVED. AMP PRODUCTS COVERED BY PATENTS AND/OR PATENTS PENDING.

CUSTOMER COPY
REFERENCE ONLY

MATERIAL AND FINISH



AMP - ITALIA
CORSO PESCHIERA 289/6
TORINO - ITALIA

F Revised E100-0067-01 G-S 09/03/01

C P/N 280261-1 OBSOLETE 8/17 24/2/89

B TERMINALE IN PRODUZIONE *Prodotto* 30-9-71

A P/N ERA 1A-70-5069 *Acetari* 2-8-71

OTTONE (BRASS) ---- /1

BITONE STAGNATO (TIN PLATED BRASS) ---- /2

WIRE RANGE INSULATION
4 ÷ 6 m/m² 3,8 ÷ 5,3 g/100

CLASS ---

TYPE ---

LTR REVISION RECORD DR CHK DATE

TOLERANCE EXCEPT AS NOTED
± 0,4 ± 10 °

SCALE ---

LOC I

NO A

C-280261

REV F

DR *Acetari* 7th APRIL 70 DE

Acetari APRIL 70 APP

RING TONGUE WITH INS. SUPPORT.