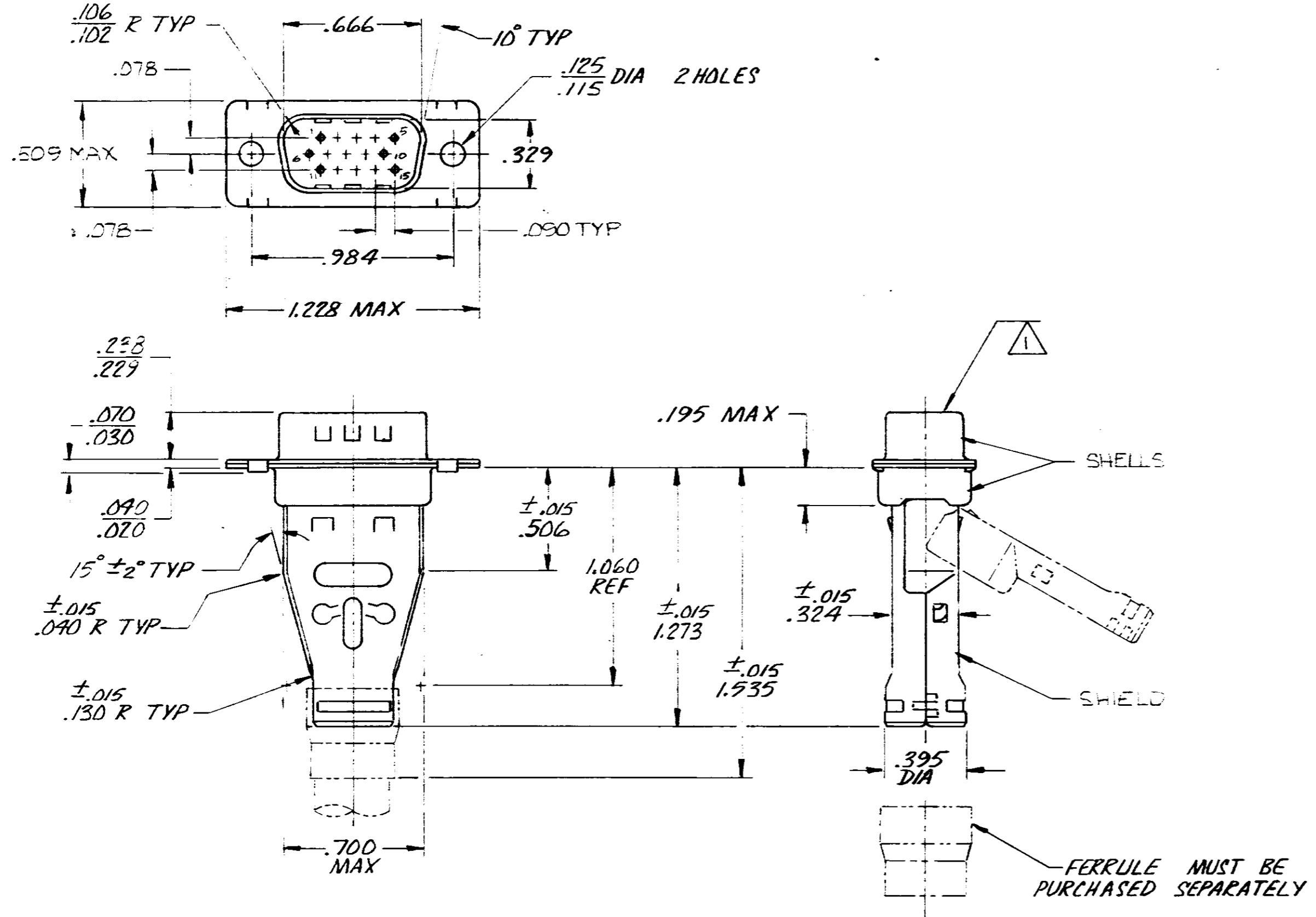


THIS DRAWING IS UNPUBLISHED. RELEASED FOR PUBLICATION . 19  
© COPYRIGHT 19 BY AMP INCORPORATED, HARRISBURG, PA. ALL INTERNATIONAL RIGHTS RESERVED. AMP PRODUCTS MAY BE COVERED BY U.S. AND FOREIGN PATENTS AND/OR PATENTS PENDING.

REVISIONS						
P	F	ZONE	LTR	DESCRIPTION	DATE	APPROVED
				0 RELEASED - WAS 36-5518-1		



- 1. PLUG ACCEPTS SIZE 22 PIN CONTACTS (CONTACTS MUST BE ORDERED SEPARATELY).
- 2. ALL PARTS SHIPPED UNASSEMBLED, EACH PART INDIVIDUALLY BULK PACKED.
- 3. FLAME RETARDANT 94 V-0 RATED GLASS FILLED NYLON OR POLYESTER, COLOR: BLACK.

UNLESS OTHERWISE SPECIFIED DIMENSIONS ARE IN INCHES. TOLERANCES ON: DECIMALS ± .005 ANGLES ± 0° 30'		CONTRACT NO		AMP INCORPORATED Harrisburg, Pa. 17105	
MATERIAL INSERT: $\Delta$ SHELLS & SHIELDS: CS PER ASTM A109		DR <i>Robert J. 3/12/57</i>		NAME KIT, PLUG, SHIELDING HARDWARE, 5 POSN, SIZE 1, AMPLIMITE® HDP-22	
FINISH SHELLS AND SHIELDS: TIN PLATED PER MIL-T-10727		CHK <i>Walden 3/1/57</i>		DRAWING NO 748468	
		APPD <i>D. Neely 3/10/57</i>		FSCM NO 00779	
		APPD <i>K. King 5/18/57</i>		SCALE 2:1	
		DSGN APPD		SHEET 1 OF 1	
		OTHER APPD			

748468