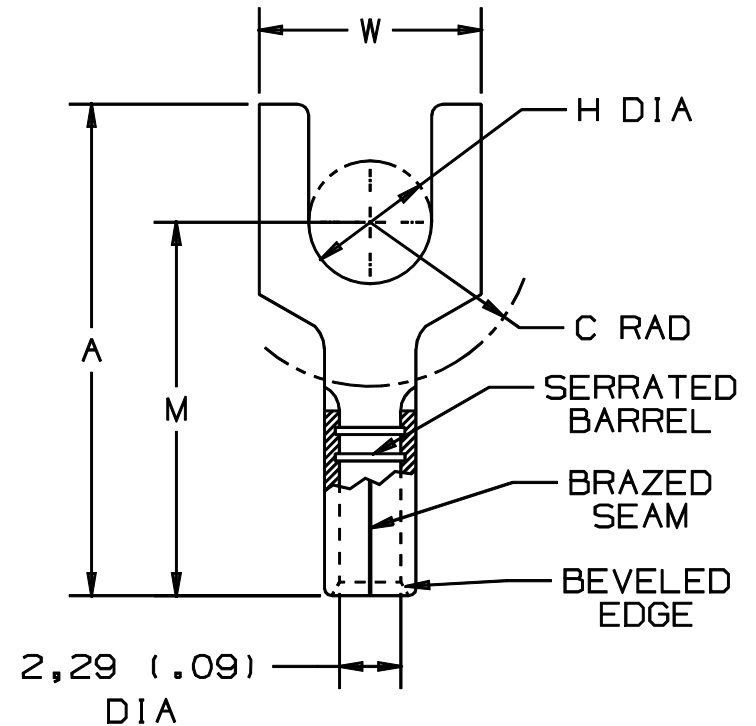


THIS COPY IS PROVIDED ON A RESTRICTED BASIS AND IS NOT TO BE USED IN ANY WAY DETRIMENTAL TO THE INTERESTS OF PANDUIT CORP.

PANDUIT PART #		STUD SIZE	DIMENSIONS mm				
PREFIX	PK		A $\pm 0,51$	W $\pm 0,25$	C $\pm 0,38$	M $\pm 0,51$	H $\pm 0,25$
PM2-3F	-C -M	M3	16,00 (.63)	5,84 (.23)	5,59 (.22)	12,45 (.49)	3,30 (.13)
PM2-4F	-C -M	M4	17,53 (.69)	7,87 (.31)	6,35 (.25)	13,46 (.53)	4,57 (.18)
PM2-5F	-C -M	M5	18,03 (.71)	8,64 (.34)	6,86 (.27)	13,97 (.55)	5,33 (.21)
PM2-6F	-C -M	M6	22,35 (.88)	11,18 (.44)	8,89 (.35)	16,00 (.63)	6,60 (.26)

NOTES:

- USED FOR:
 - 1,5-2,5mm² (#16-14 AWG), SOLID OR STRANDED, COPPER WIRE
- MATERIAL:
 - STAMPING - 0,81mm (.03) THK COPPER, TIN PLATED
- DIMENSIONS IN BRACKETS ARE IN INCHES
- PACKAGE QTY:
 - STD: C=100
 - BULK: M=1000
- WIRE STRIP LENGTH: 7,1^{+0,8}₋₀ (9/32^{+1/32}₋₀)
- INSTALLATION TOOLS: REF. DWGS. A41522, A41523, A41524, A41525



A41428_01

							PANDUIT CORP.		TINLEY PARK, ILLINOIS				
01	10/97	TM	CHANGED DECIMAL POINTS TO COMMAS						NON-INSULATED METRIC FORKS 1,5-2,5mm ² BARREL				
00	11/9	BK	RS	RELEASED				00687	LA	KS			
REV	DATE	BY	CHK	DESCRIPTION			ECN #	CUST	PM	DRAWN BY BDK	CHK'D C&T'D	SCALE NONE	DRAWING NO. A41428