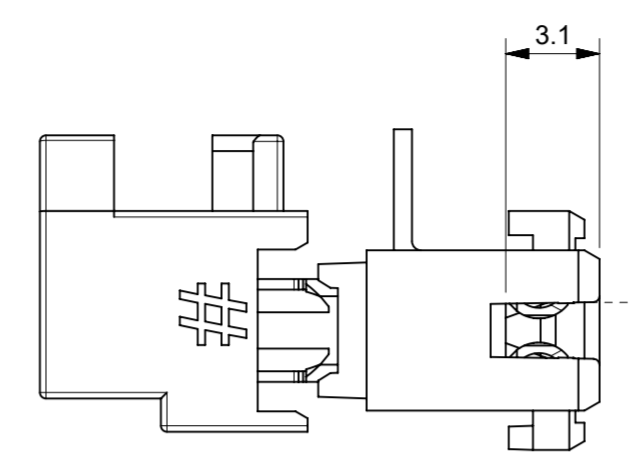


CKT	DIM A	DIM B	DIM C	DIM D
2	5	9.9	7.3	-
3	10	14.9	12.3	5
4	15	19.9	17.3	10
5	20	24.9	22.3	15
6	25	29.9	27.3	20
7	30	34.9	32.3	25
8	35	39.9	37.3	30
9	40	44.9	42.3	35
10	45	49.9	47.3	40
11	50	54.9	52.3	45
12	55	59.9	57.3	50

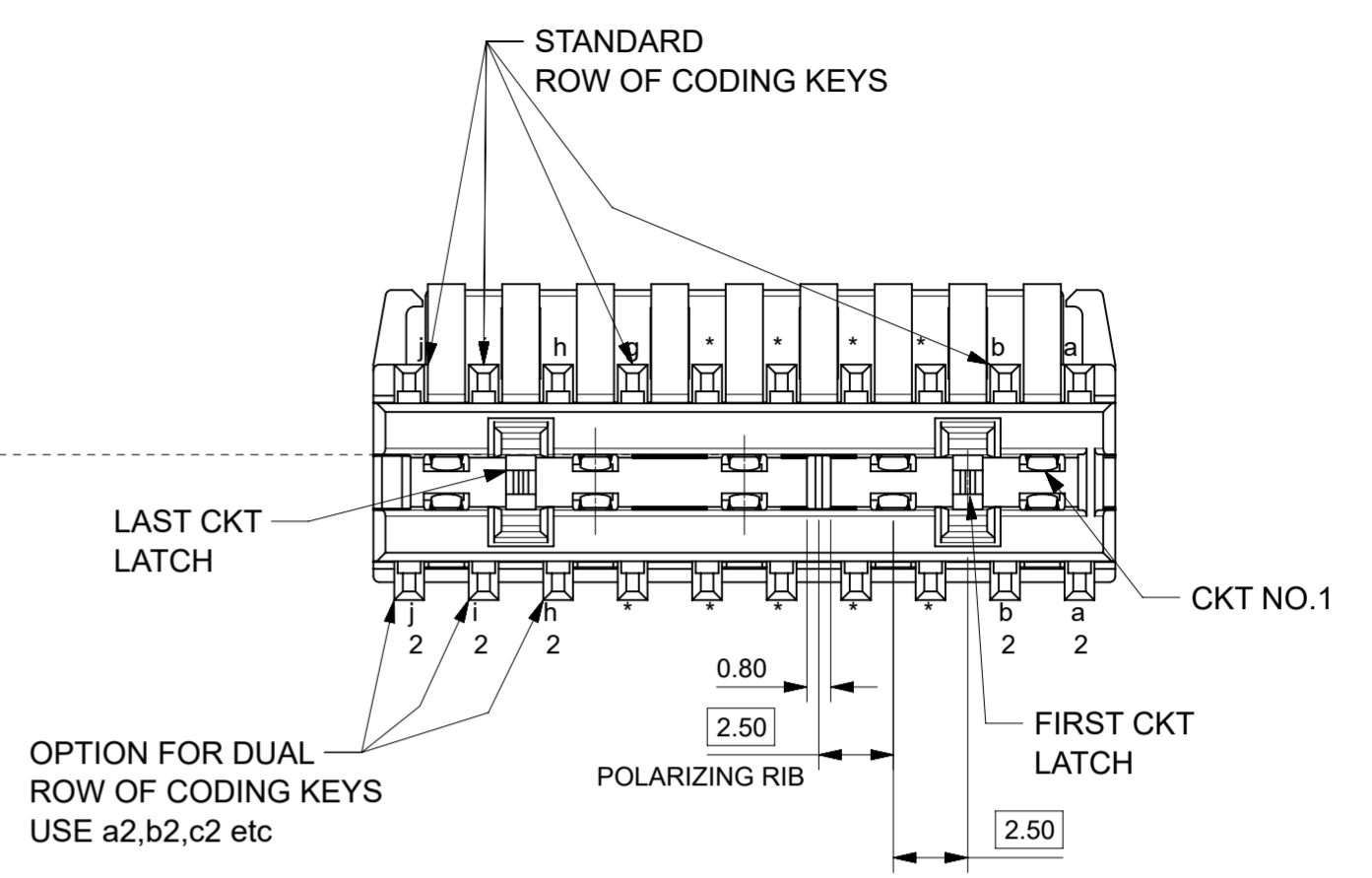
- NOTES:
- MATERIAL: HOUSING: PA 6 V0 HWI
TERMINAL: PHOSPHOR BRONZE OR COPPER ALLOY
PLATING: TIN(6A) OR SILVER(10A)
 - PRODUCT SPECIFICATION: 916270001 PS
 - SEE SUBSEQUENT SHEETS FOR PART NUMBERING INFORMATION
 - LATCHES RECOMMENDED WHERE LOCKING VIA HEADER, GUIDEFRAME OR COMPONENT ENCLOSURE IS NOT POSSIBLE.
 - APPLICATION SPECIFICATION: 916270001 AS
 - 2 & 3CCT LATCH VERSIONS WILL HAVE 1 SOLID LATCH WERE APPLICABLE.
 - PACKAGING SPECIFICATION: 916270001 PK

DOCUMENT STATUS	P1	RELEASE DATE	2022/02/19	00:15:02
-----------------	----	--------------	------------	----------

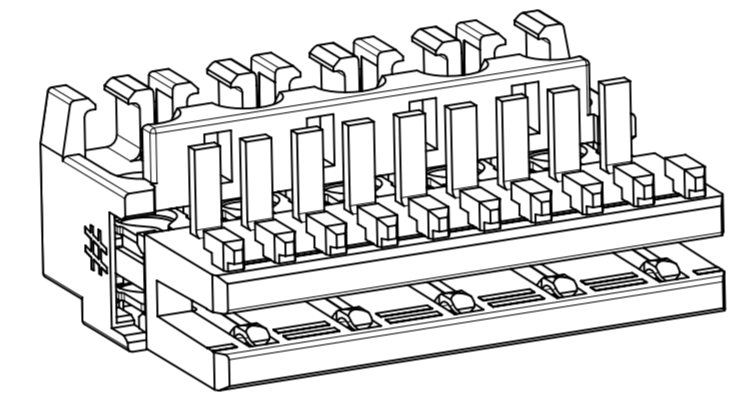
FOR POLARIZATION END WALL
OPTIONS SEE BELOW



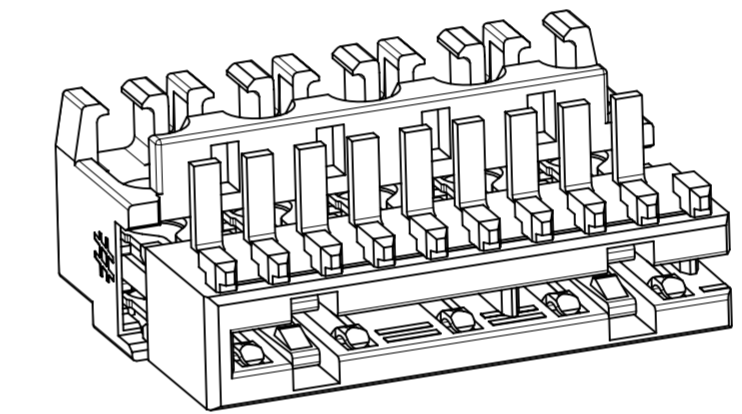
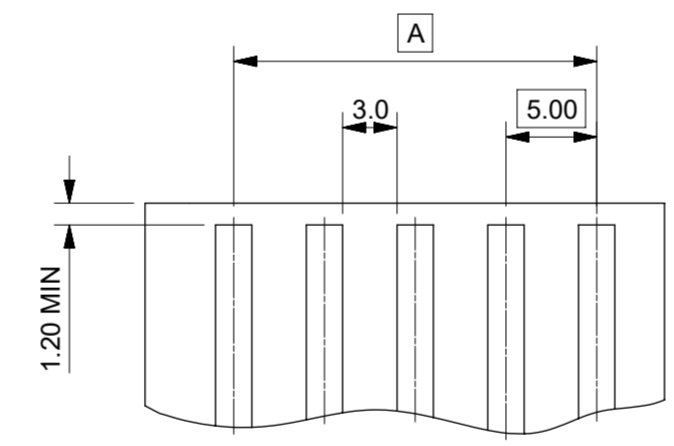
ADDITIONAL OPTIONS



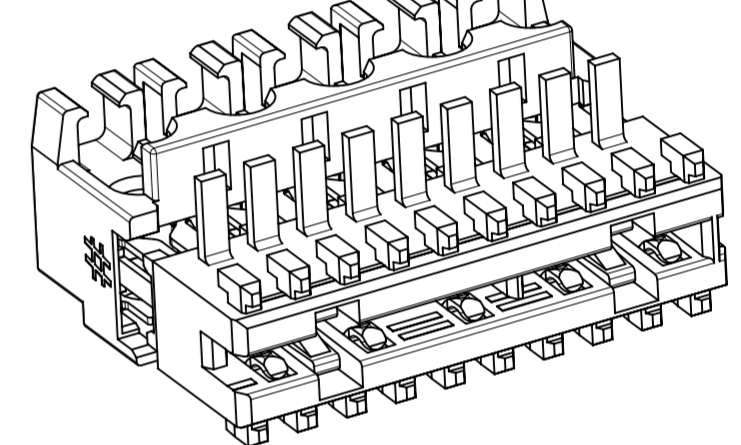
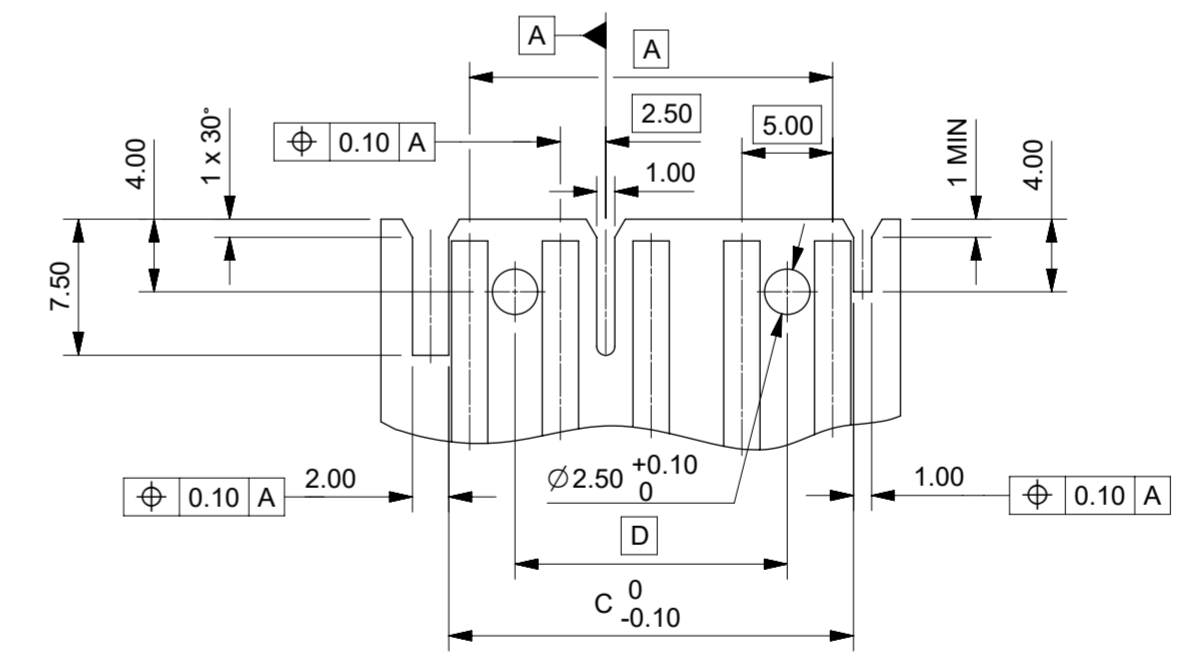
RECOMMENDED PCB LAYOUT FOR OPTIONS SHOWN (SCALE 3:1)



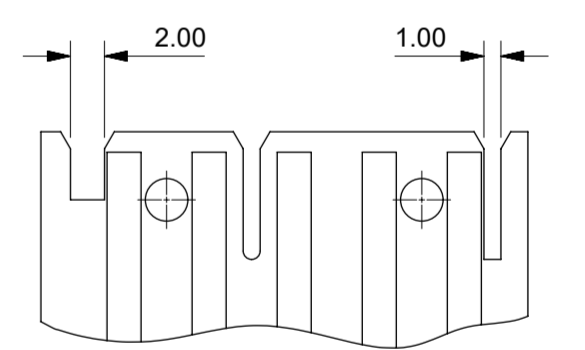
OPEN END WALL, NO POLARIZING RIB
STANDARD ROW OF KEYS



CLOSED END-WALL, POLARIZED
OPTION A, LATCHES AND RIB



CLOSED END-WALL, POLARIZED
OPTION B, LATCHES AND RIB
OPTIONAL 2nd ROW OF KEYS



Other combinations possible:
There may be one or two latches which can be positioned between 1st and 2nd ckt and/or between 2nd and last ckt.
The polarizing rib can be between any ckt.
There may be one end wall only which must be located at the larger ckt end as polarized option A (wider and taller end wall)

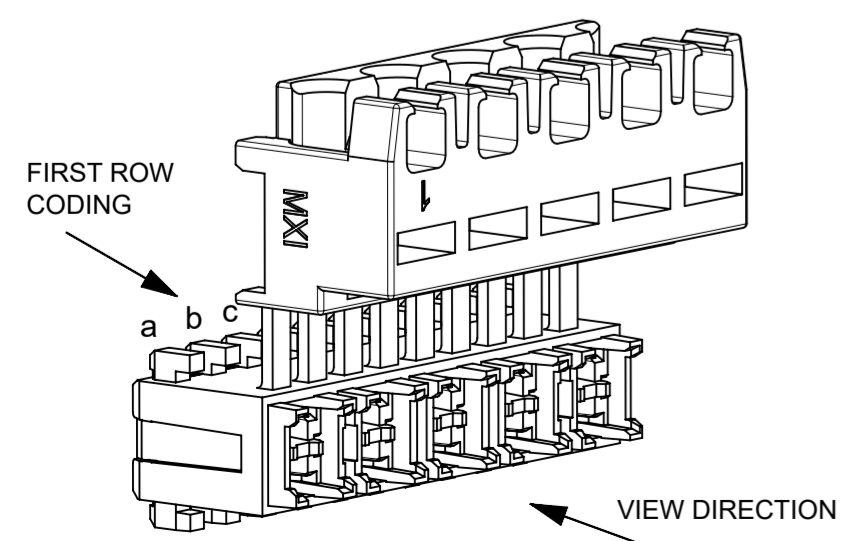
THIS DRAWING CONTAINS INFORMATION THAT IS PROPRIETARY TO MOLEX ELECTRONIC TECHNOLOGIES, LLC AND SHOULD NOT BE USED WITHOUT WRITTEN PERMISSION

DIMENSION UNITS	SCALE	CURRENT REV	DESC:
mm	10:1		
GENERAL TOLERANCES (UNLESS SPECIFIED)		EC NO: 695126	
ANGULAR TOL	± 2.0°	DRWN: MBN02	2022/01/28
4 PLACES	±	CHK'D: MBN02	2022/02/09
3 PLACES	±	APPR: SDEVITT	2022/02/19
2 PLACES	± 0.1	INITIAL REVISION:	
1 PLACE	± 0.2	DRWN: CFISHER01	2018/06/19
0 PLACES	±	APPR: DRYAN	2019/11/28
DRAFT WHERE APPLICABLE MUST REMAIN WITHIN DIMENSIONS	THIRD ANGLE PROJECTION	DRAWING	SERIES
		A2-SIZE	93322

molex			
RAST PWR IDT CONN 5MM PITCH V0 HWI			
PRODUCT CUSTOMER DRAWING			
DOCUMENT NUMBER	DOC TYPE	DOC PART	REVISION
933220001	PSD	000	B2
MATERIAL NUMBER	CUSTOMER	SHEET NUMBER	
SEE CHARTS	GENERAL MARKET	1 OF 3	

2 CIRCUIT									
MOLEX PART NO.	MOLEX HOUSING NO.	TERMINAL VOID POSITION	REMOVED CODING KEYS	CONFIGURATION	ENDWALLS		POLARIZING RIB	LATCH	COLOUR STRIPE
					FIRST	LAST			
93322-0001	93321-0002	NONE	NONE		OPEN	OPEN	NONE	NONE	NONE
93322-0501	93323-2002	NONE	NONE		OPEN	OPEN	NONE	BETWEEN CCT 1&2	NONE
93322-0002	93321-0002	NONE	a		OPEN	OPEN	NONE	NONE	NONE
93322-0003	93321-0002	NONE	a b		OPEN	OPEN	NONE	NONE	NONE
93322-0004	93321-0002	NONE	a b		OPEN	OPEN	NONE	NONE	RED
93322-0005	93321-0002	NONE	a c		OPEN	OPEN	NONE	NONE	PURPLE

3 CIRCUIT									
MOLEX PART NO.	MOLEX HOUSING NO.	TERMINAL VOID POSITION	REMOVED CODING KEYS	CONFIGURATION	ENDWALLS		POLARIZING RIB	LATCH	COLOUR STRIPE
					FIRST	LAST			
93322-1001	93321-0003	NONE	NONE		OPEN	OPEN	NONE	NONE	NONE
93322-1002	93321-0203	CKT 2	a		OPEN	OPEN	2 & 3	NONE	NONE
93322-1501	93323-2003	NONE	NONE		OPEN	OPEN	NONE	BETWEEN CCT 1&2	NONE
93322-1003	93321-0203	CKT 2	d		OPEN	OPEN	2 & 3	NONE	BLACK
93322-1004	93321-0003	NONE	b c d		OPEN	OPEN	NONE	NONE	NONE



NOTES:
 1. FIRST CKT SIDE IS THE SIDE CLOSEST TO CKT 1
 2. LAST CKT SIDE IS THE SIDE CLOSEST TO THE HIGHEST CKT SIZE

⊕ - DENOTES TERMINAL POSITION LOADED
 + - DENOTES TERMINAL POSITION VOIDED
 | - DENOTES POSITION OF POLARISING RIB
 □ - DENOTES POSITION OF LOCKING LATCH

4 CIRCUIT									
MOLEX PART NO.	MOLEX HOUSING NO.	TERMINAL VOID POSITION	REMOVED CODING KEYS	CONFIGURATION	ENDWALLS		POLARIZING RIB	LATCH	COLOUR STRIPE
					FIRST	LAST			
93322-2001	93321-0004	NONE	NONE		OPEN	OPEN	NONE	NONE	NONE
93322-2501	93323-2004	NONE	NONE		OPEN	OPEN	NONE	BETWEEN CCT 1&2	NONE

5 CIRCUIT									
MOLEX PART NO.	MOLEX HOUSING NO.	TERMINAL VOID POSITION	REMOVED CODING KEYS	CONFIGURATION	ENDWALLS		POLARIZING RIB	LATCH	COLOUR STRIPE
					FIRST	LAST			
93322-3001	93321-0005	NONE	NONE		OPEN	OPEN	NONE	NONE	NONE
93322-3501	93323-2005	NONE	NONE		OPEN	OPEN	NONE	BETWEEN CCT 1&2	NONE

THIS DRAWING CONTAINS INFORMATION THAT IS PROPRIETARY TO MOLEX ELECTRONIC TECHNOLOGIES, LLC AND SHOULD NOT BE USED WITHOUT WRITTEN PERMISSION									
DIMENSION UNITS	SCALE	CURRENT REV DESC:							
mm	1:1	molex RAST PWR IDT CONN 5MM PITCH V0 HWI PRODUCT CUSTOMER DRAWING DOCUMENT NUMBER: 933220001 DOC TYPE: PSD DOC PART: 000 REVISION: B2							
GENERAL TOLERANCES (UNLESS SPECIFIED)									
ANGULAR TOL	± 2.0°								
4 PLACES	±								
3 PLACES	±								
2 PLACES	± 0.1	EC NO: 695126	2022/01/28						
1 PLACE	± 0.2	DRWN: MBN02	2022/02/09						
0 PLACES	±	CHK'D: MBN02	2022/02/19						
DRAFT WHERE APPLICABLE MUST REMAIN WITHIN DIMENSIONS		THIRD ANGLE PROJECTION		DRAWING		SERIES		MATERIAL NUMBER	
				A2-SIZE		93322		SEE CHARTS	
								CUSTOMER	
								GENERAL MARKET	
								SHEET NUMBER	
								2 OF 3	

6 CIRCUIT

MOLEX PART NO.	MOLEX HOUSING NO.	TERMINAL VOID POSITION	REMOVED CODING KEYS	CONFIGURATION	ENDWALLS		POLARIZING RIB	LATCH	COLOUR STRIPE
					FIRST	LAST			
93322-4001	93321-0006	NONE	NONE		OPEN	OPEN	NONE	NONE	NONE
93322-4501	93323-2006	NONE	NONE		OPEN	OPEN	NONE	BETWEEN CCT 1&2	NONE

7 CIRCUIT

MOLEX PART NO.	MOLEX HOUSING NO.	TERMINAL VOID POSITION	REMOVED CODING KEYS	CONFIGURATION	ENDWALLS		POLARIZING RIB	LATCH	COLOUR STRIPE
					FIRST	LAST			
93322-5001	93321-0007	NONE	NONE		OPEN	OPEN	NONE	NONE	NONE
93322-5501	93323-2007	NONE	NONE		OPEN	OPEN	NONE	BETWEEN CCT 1&2	NONE

8 CIRCUIT

MOLEX PART NO.	MOLEX HOUSING NO.	TERMINAL VOID POSITION	REMOVED CODING KEYS	CONFIGURATION	ENDWALLS		POLARIZING RIB	LATCH	COLOUR STRIPE
					FIRST	LAST			
93322-6001	93321-0008	NONE	NONE		OPEN	OPEN	NONE	NONE	NONE
93322-6501	93323-2008	NONE	NONE		OPEN	OPEN	NONE	BETWEEN CCT 1&2	NONE

9 CIRCUIT

MOLEX PART NO.	MOLEX HOUSING NO.	TERMINAL VOID POSITION	REMOVED CODING KEYS	CONFIGURATION	ENDWALLS		POLARIZING RIB	LATCH	COLOUR STRIPE
					FIRST	LAST			
93322-7001	93321-0009	NONE	NONE		OPEN	OPEN	NONE	NONE	NONE
93322-7501	93323-2009	NONE	NONE		OPEN	OPEN	NONE	BETWEEN CCT 1&2	NONE

10 CIRCUIT

MOLEX PART NO.	MOLEX HOUSING NO.	TERMINAL VOID POSITION	REMOVED CODING KEYS	CONFIGURATION	ENDWALLS		POLARIZING RIB	LATCH	COLOUR STRIPE
					FIRST	LAST			
93322-8001	93321-0010	NONE	NONE		OPEN	OPEN	NONE	NONE	NONE
93322-8501	93323-2010	NONE	NONE		OPEN	OPEN	NONE	BETWEEN CCT 1&2	NONE

THIS DRAWING CONTAINS INFORMATION THAT IS PROPRIETARY TO MOLEX ELECTRONIC TECHNOLOGIES, LLC AND SHOULD NOT BE USED WITHOUT WRITTEN PERMISSION									
DIMENSION UNITS	SCALE	CURRENT REV DESC:							
mm	1:1								
GENERAL TOLERANCES (UNLESS SPECIFIED)		EC NO: 695126			RAST PWR IDT CONN 5MM PITCH V0 HWI				
ANGULAR TOL	± 2.0°	DRWN: MBN02 2022/01/28							
4 PLACES	±	CHK'D: MBN02 2022/02/09			PRODUCT CUSTOMER DRAWING				
3 PLACES	±	APPR: SDEVITT 2022/02/19							
2 PLACES	± 0.1	INITIAL REVISION:			DOCUMENT NUMBER: 933220001 DOC TYPE: PSD DOC PART: 000 REVISION: B2				
1 PLACE	± 0.2	DRWN: CFISHER01 2018/06/19							
0 PLACES	±	APPR: DRYAN 2019/11/28			MATERIAL NUMBER: SEE CHARTS CUSTOMER: GENERAL MARKET SHEET NUMBER: 3 OF 3				
DRAFT WHERE APPLICABLE MUST REMAIN WITHIN DIMENSIONS	THIRD ANGLE PROJECTION	DRAWING: A2-SIZE	SERIES: 93322						