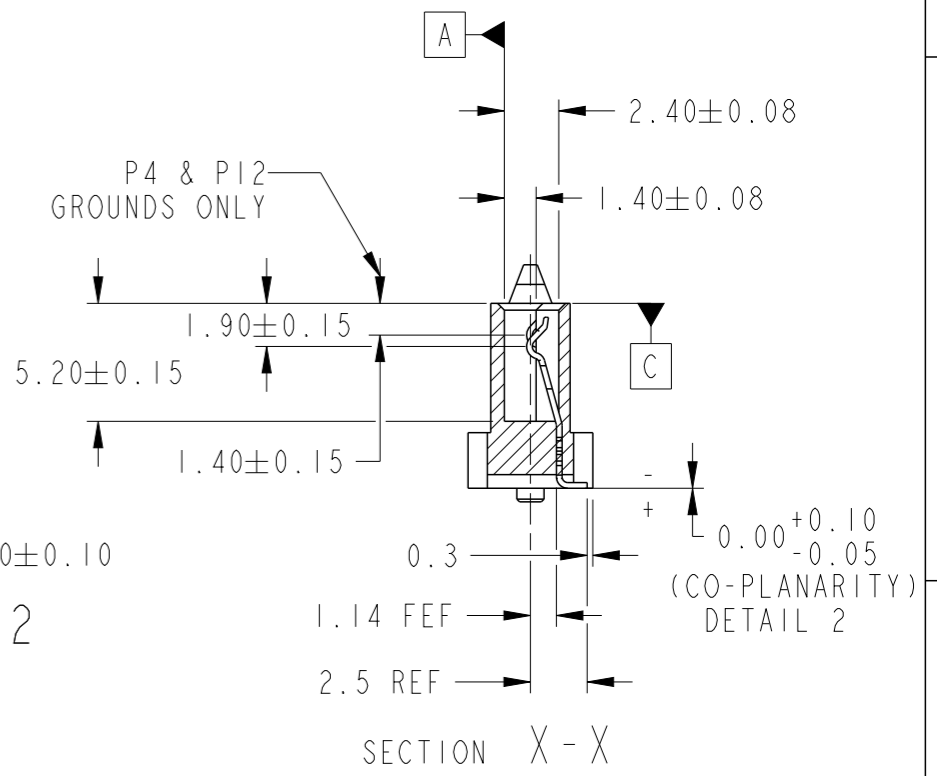
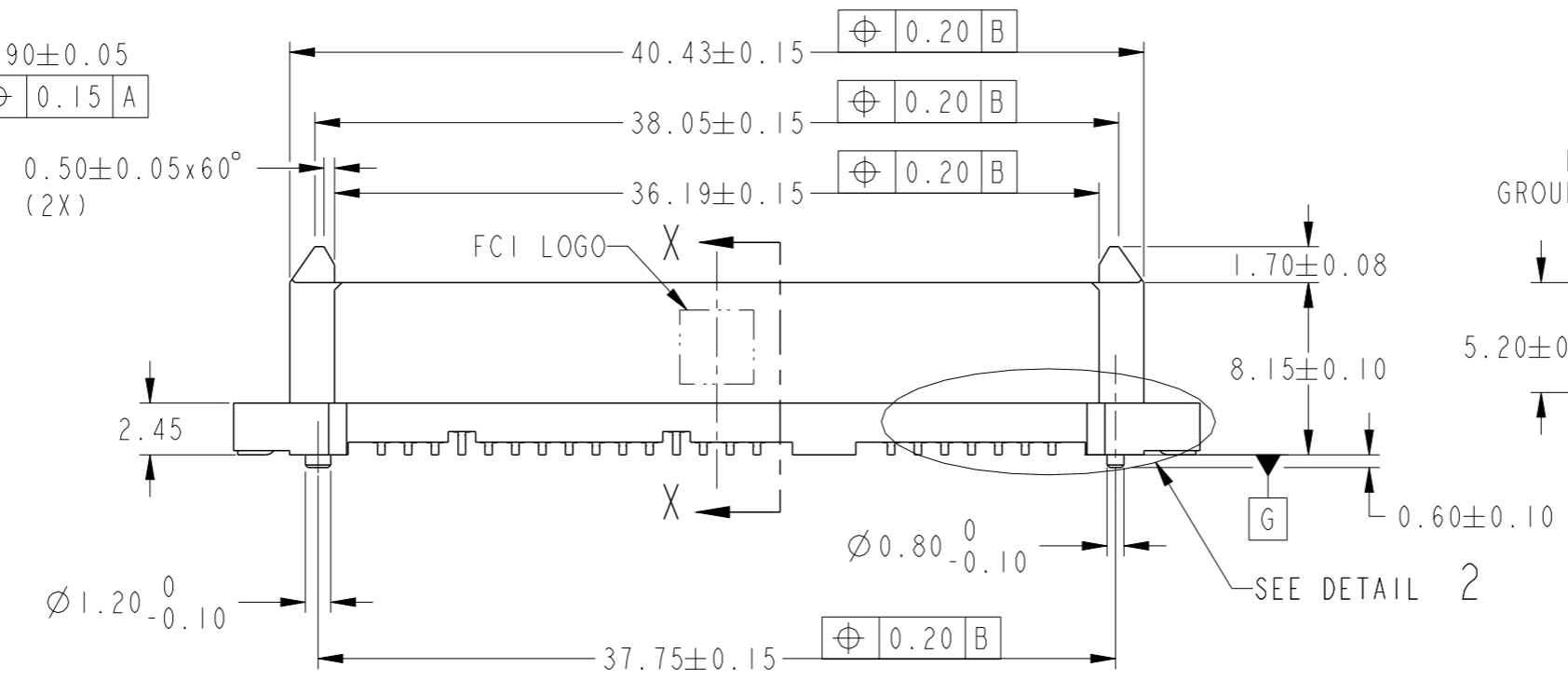
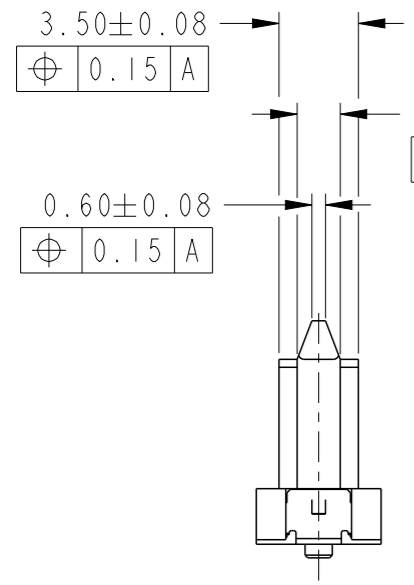
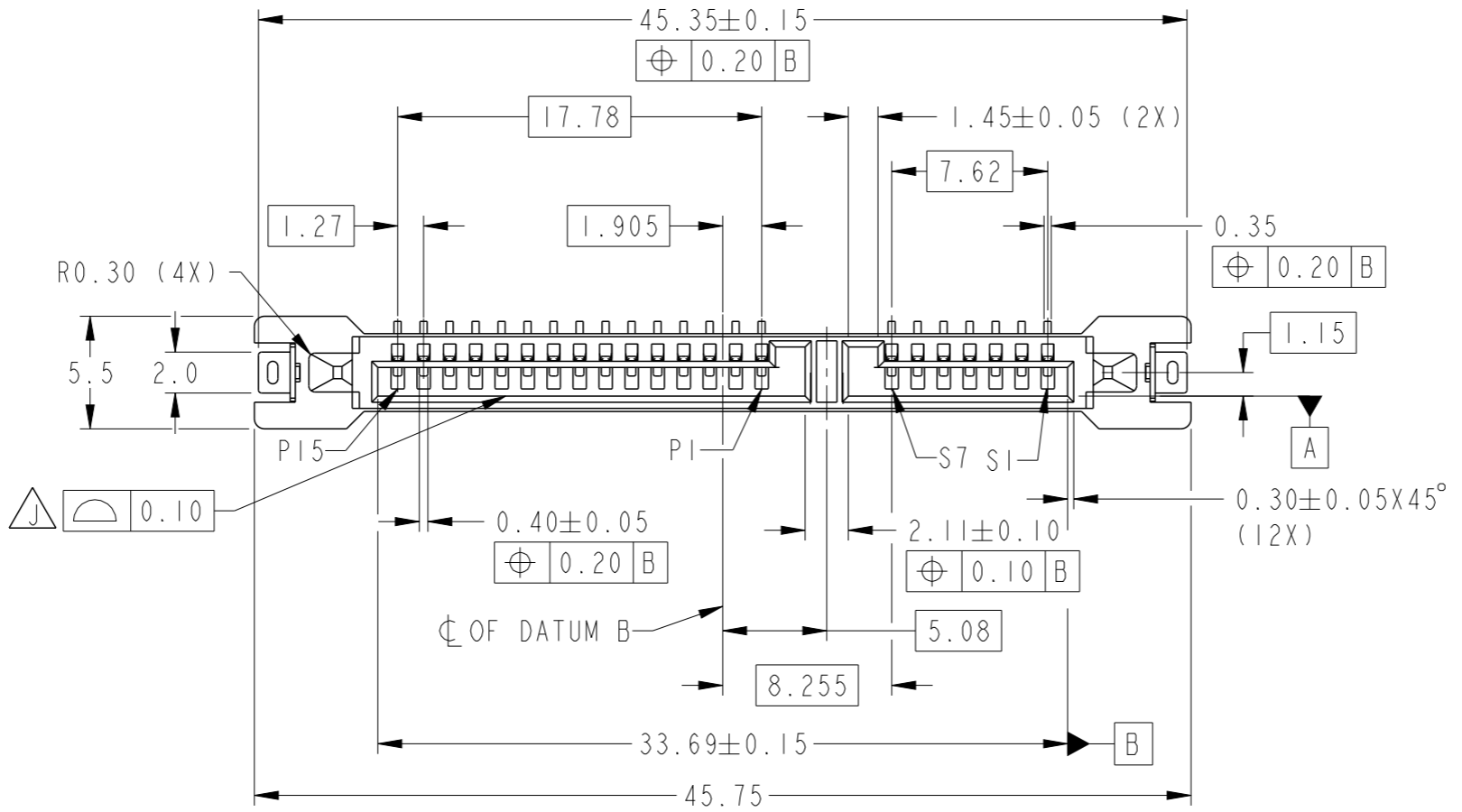


PRODUCT NO
SEE TABLE

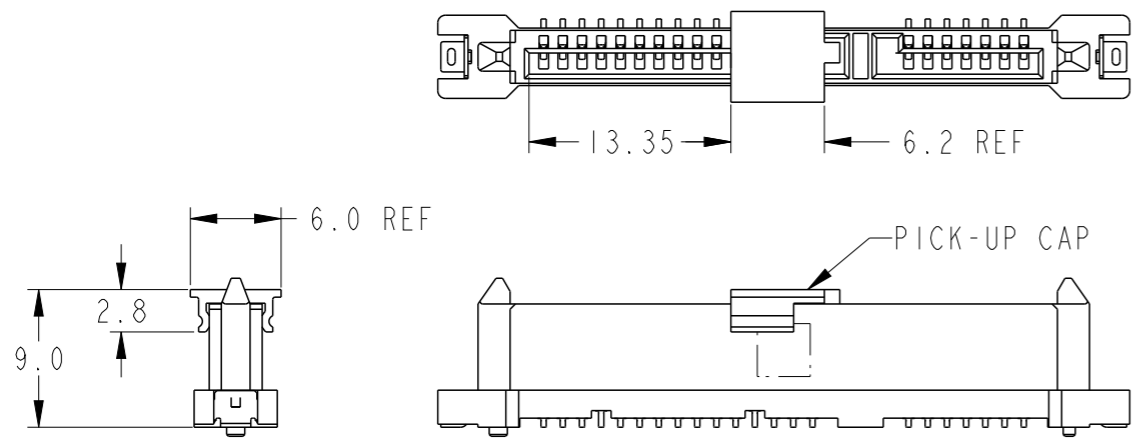


Amphenol FCI
© 2016 AFCI

spec ref	-	dr	Louis Ng	2011/10/03	projection	mm	size	A3	scale	1:1
tolerance std	ISO 406 ISO 1101	eng	Wai-Bin Cho	2019/12/12			ecn no	ELX-M-35609-1	rel level	Released
TOLERANCES UNLESS OTHERWISE SPECIFIED		chr	-	app						
surface	linear	0.X	±-			S-ATA COMB RECEP VERTICAL SMT TYPE ASSY		dwg no	10029065	rev
ISO 1302	angular	0°	±2°							

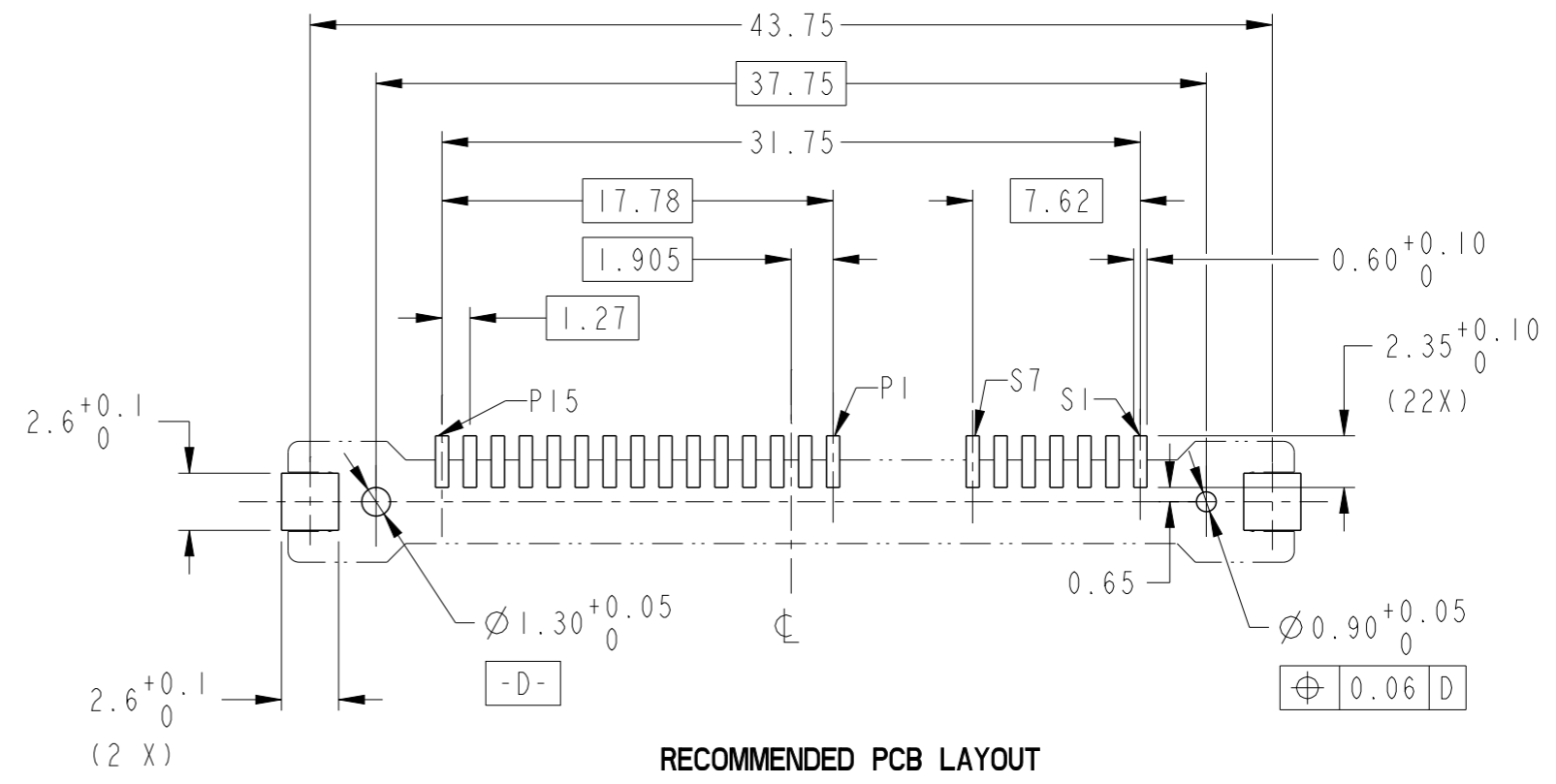
PRODUCT NO	PLATING	PICK- UP CAP	PACKAGING	REMARKS	PRODUCT NO	PLATING
10029065-001LF	NOTE ③	NO	TRAY	-	10029065-401LF	NOTE ①
10029065-001CLF		YES		SEE NOTE ④	10029065-401CLF	
10029065-001C-TRLF		YES	TAPE & REEL	SEE NOTE ⑨	10029065-401C-TRLF	

NOTE 11

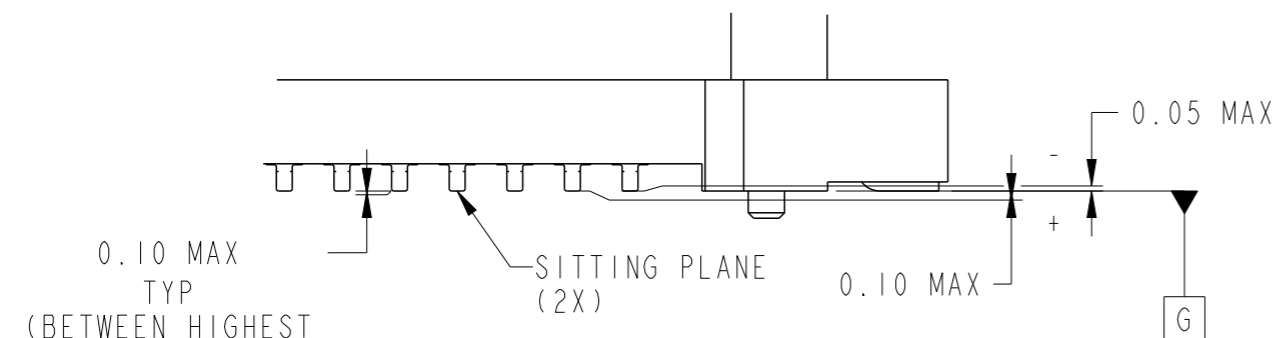


PART WITH PICK-UP CAP, SEE NOTE ④

SCALE 2:1



RECOMMENDED PCB LAYOUT




DETAIL 2
SCALE 6:1

Amphenol FCI

© 2016 AFCI

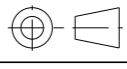
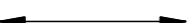
spec ref	-	dr	Louis Ng	2011/10/03	projection	mm	size	A3	scale	1:1
tolerance std	ISO 406 ISO 1101	eng	Wai-Bin Cho	2019/12/12			ecn no	ELX-M-35609-1	rel level	Released
TOLERANCES UNLESS OTHERWISE SPECIFIED		chr	-	app						
surface	linear	0.X	± -	Amphenol FCI		S-ATA COMB RECEP VERTICAL SMT TYPE ASSY		dwg no 10029065	rev J	
	angular	0°	± 2°							cat. no.

NOTES:

- 1 THIS PRODUCT MEETS THE SATA SPEC REV. 1.0a
- 2 MATERIAL :
 - 1) HOUSING : HIGH TEMP TERMOPLASTIC, UL 94V-0
 - COLOR : BLACK
 - 2) TERMINAL : COPPER ALLOY
 - 3) HOLD DOWN : COPPER ALLOY
- ③ FINISH :
 - 1) TERMINAL : 30μ" Au PLATING (CONTACT POINT) OVER 50μ" NICKEL
 - 2) SOLDER TAIL : 50μ" min Sn OVER 50μ" NICKEL
 - 3) HOLD DOWN : 50μ" min Sn OVER 50μ" NICKEL
- ④ PART WITH PICK-UP CAP, P/N XXXXXXXX-XXX_C LF
- ⑤ THE STD PACKAGING IS IN TRAY UNLESS OTHERWISE SPECIFIED.
- 6 THE HOUSING WILL WITHSTAND EXPOSURE TO 260°C PEAK TEMPERATURE FOR 10 SECONDS IN A CONVECTION INFRA-RED OR VAPOR PHASE REFLOW OVEN.
- ⑦ THIS PRODUCT MEETS EUROPEAN UNION DIRECTIVES AND OTHER COUNTRY REGULATIONS AS DESCRIBED IN GS-22-008.
- ⑧ PART NUMBERS ENDING IN"LF" MEANS FOR NOTE 7 LEAD FREE IDENTIFICATION
 - (i) ~~P/N XXXXXXXX-XXXLF IS EQUIVALENT TO PREVIOUS P/N XXXXXXXX-XXX~~
 - (ii) ~~P/N XXXXXXXX-XXXCLF IS EQUIVALENT TO PREVIOUS P/N XXXXXXXX-XXXC~~
- ⑨ FOR TAPE & REEL PACKAGING, SUFFIX "-TR" ADDED.
P/N XXXXXXXX-XXXC-TR LF
- ⑩ A  SYMBOL WILL BE NEXT TO ANY DIMENSION, VIEW, OR NOTE WHICH HAS BEEN MODIFIED WITH THE CURRENT DRAWING REVISION
- ⑪ FINISH :
 - 1) TERMINAL : 15μ" GXT PLATING (CONTACT POINT) OVER 50μ" NICKEL
 - 2) SOLDER TAIL : 50μ" min Sn OVER 50μ" NICKEL
 - 3) HOLD DOWN : 50μ" min Sn OVER 50μ" NICKEL

Amphenol FCI

© 2016 AFCI

spec ref -		dr	Louis Ng	2011/10/03	projection	mm	size	A3	scale	1:1
tolerance std		eng	Wai-Bin Cho	2019/12/12			ecn no		ELX-M-35609-1	
ISO 406 ISO 1101		chr	-	-			rel level		Released	
surface		appr	Koon-Poh Tay	2020/01/10	product family		S-ATA		rev	
ISO 1302	linear	TOLERANCES UNLESS OTHERWISE SPECIFIED		Amphenol FCI	S-ATA COMB RECEP		dwg no		10029065	
		0.X	± -		VERTICAL SMT TYPE ASSY		rev		J	
	angular	0°	±2°		cat. no.		-		Product - Customer Drw	