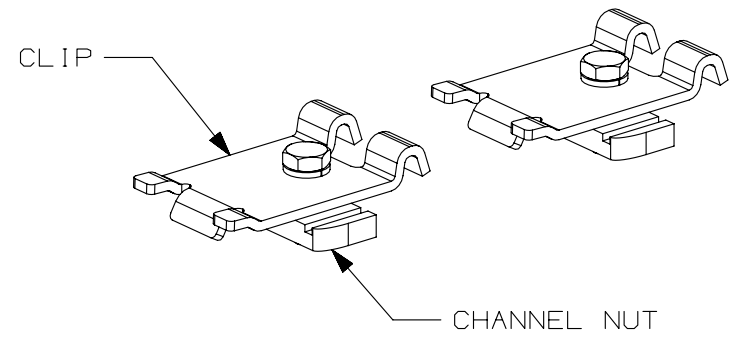
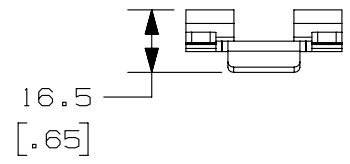
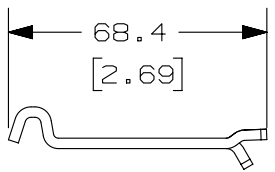
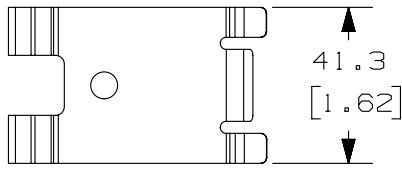


THIS COPY IS PROVIDED ON A RESTRICTED BASIS AND IS NOT TO BE USED IN ANY WAY DETRIMENTAL TO THE INTERESTS OF PANDUIT CORP.

PANDUIT PART NUMBER	WEIGHT
FRSTRC**	.42 LBS (.19 kg)

**NOTES:**

- VISIT OUR ON-LINE CATALOG AT WWW.PANDUIT.COM FOR A LIST OF CURRENT PARTS APPLICABLE FOR USE WITH THIS PRODUCT.
- THE FIBERRUNNER STRUT CLIP KIT ALLOWS FOR ALL SIZES EXCEPT 2X2 OF FIBERRUNNER PATHWAYS. IT ALSO ALLOWS FOR ANY SIZE OF WYR-GRID PATHWAY TO BE INSTALLED DIRECTLY TO 15/8" WIDE STRUT METAL FRAMING CHANNEL.
- THE FIBERRUNNER STRUT CLIP KIT INCLUDES:  
TWO (2) CLIPS,  
TWO (2) 1/4-20 CHANNEL NUTS WITHOUT SPRINGS,  
TWO (2) 1/4-20x7/8 HEX HEAD CAP SCREWS,  
TWO (2) 1/4 HELICAL SPRING LOCKWASHERS.
- DIMENSIONS IN PARENTHESES ARE IN INCHES.



00A	1-7-15	TWV	DWR		RELEASED TO PRODUCTION				V09000DB
REV	DATE	BY	CHK	APR	DESCRIPTION				ECN

TITLE				FIBERRUNNER STRUT CLIP KIT (FRSTRC**) CUSTOMER DRAWING			
ITEM REVISION NAME				14D419AK/00			
DATASET FILE NAME				14D419AK_DC/00A FRSTRC**			
UNLESS OTHERWISE SPECIFIED, DIMENSIONAL TOLERANCES ARE:				MATERIAL:			
INCHES		METRIC - MILLIMETER		ANGLE		STEEL	
X.X	+/- 0.18	X.	+/- 0.57				
X.XX	+/- 0.10	X.X	+/- 0.54		+/- 1°		
X.XXX	+/- 0.036	X.XX	+/- 0.92				
DRAWN BY				DRAWING NUMBER:			
TWV		DATE		1-7-15		14D419AK-DC	
THIRD ANGLE PROJECTION				SHT 1 OF 1			
SCALE		NONE		SIZE		A	