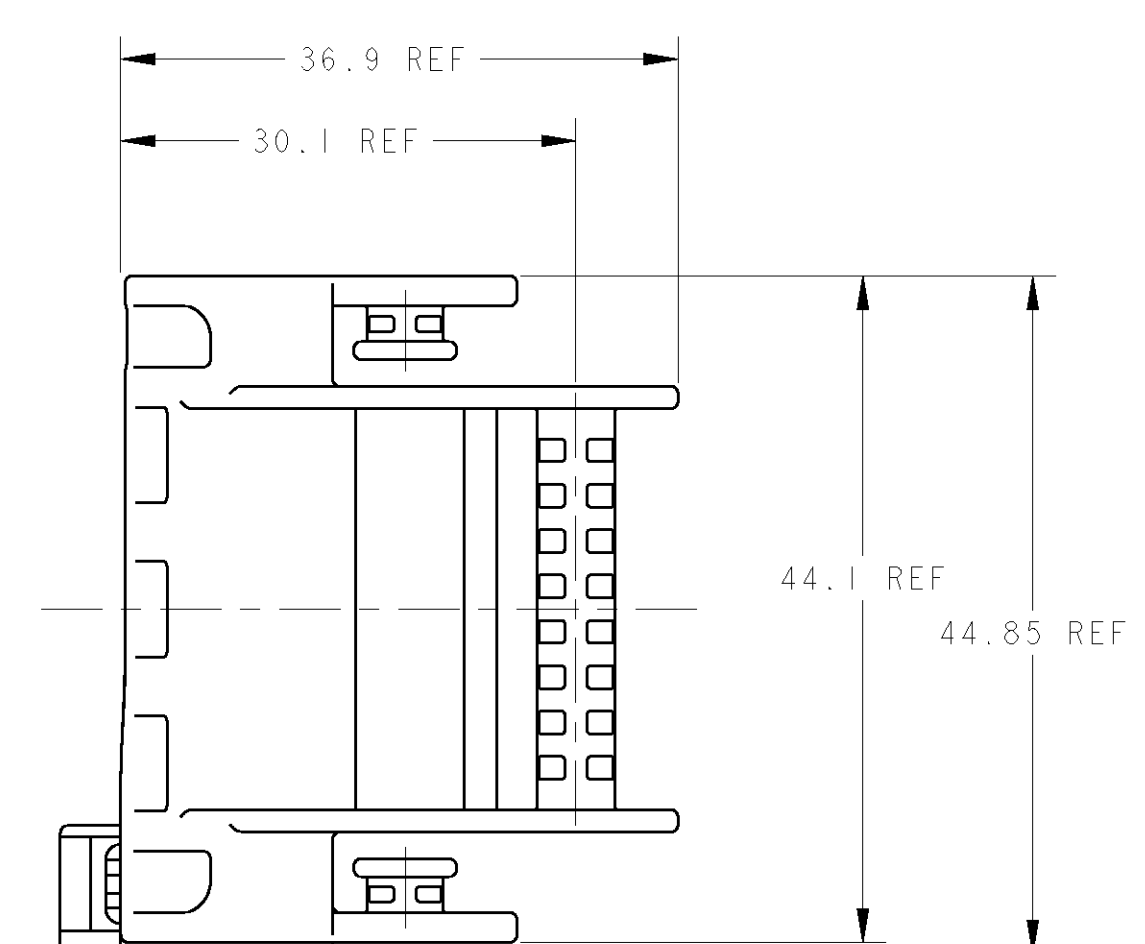
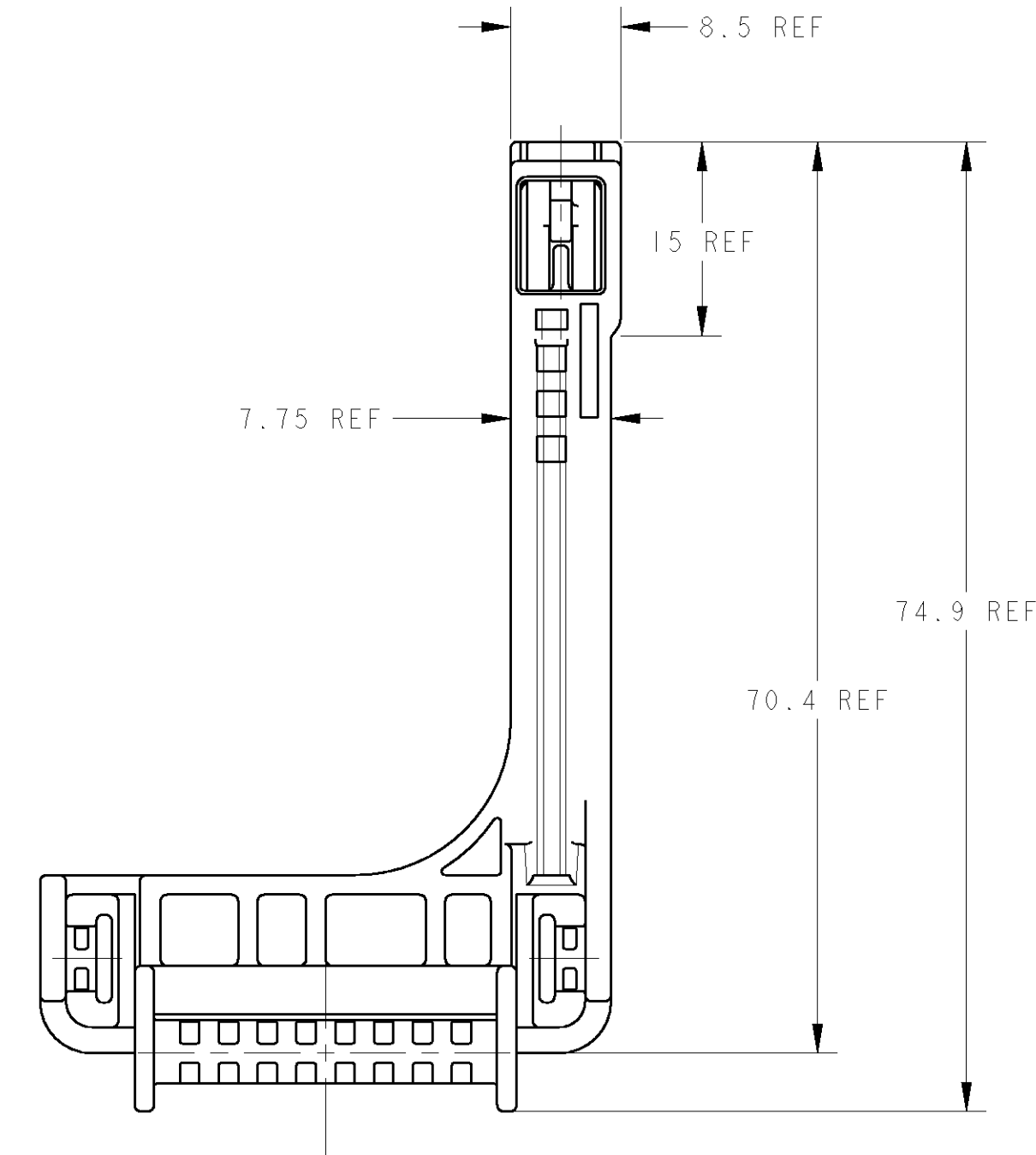
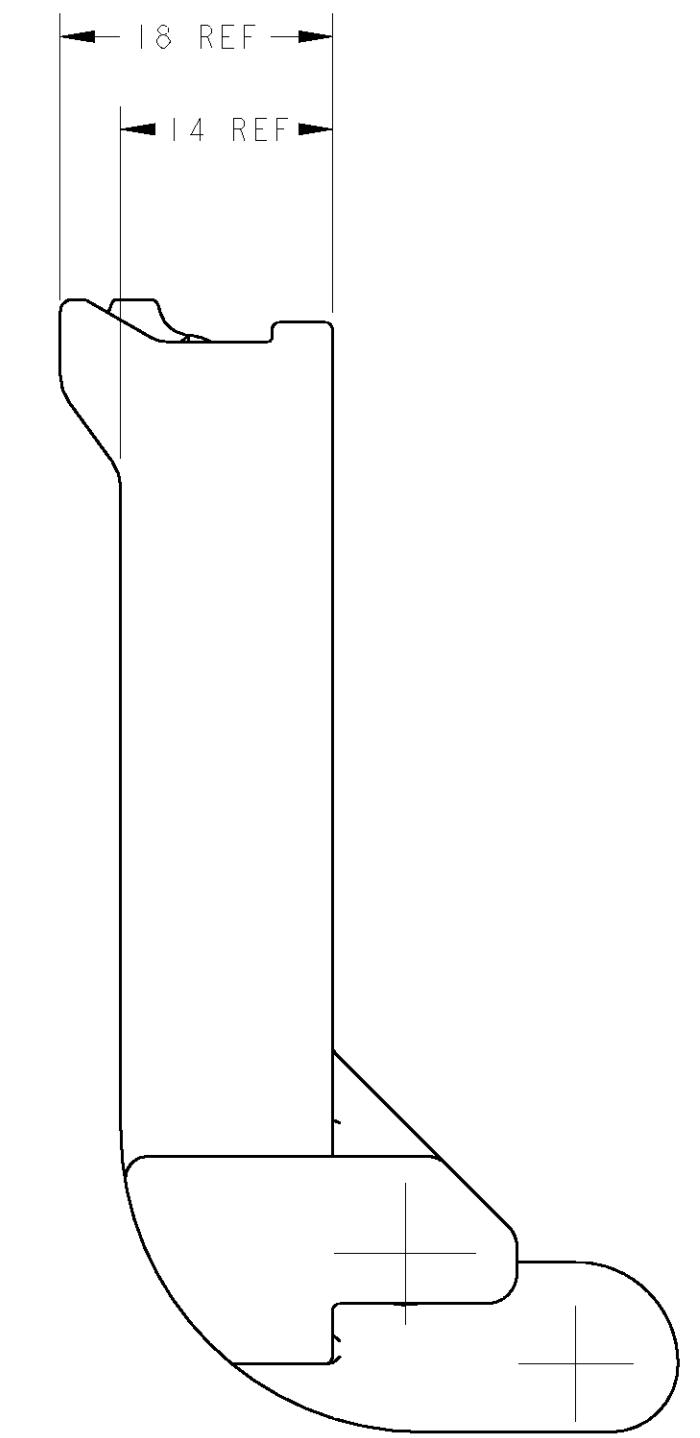
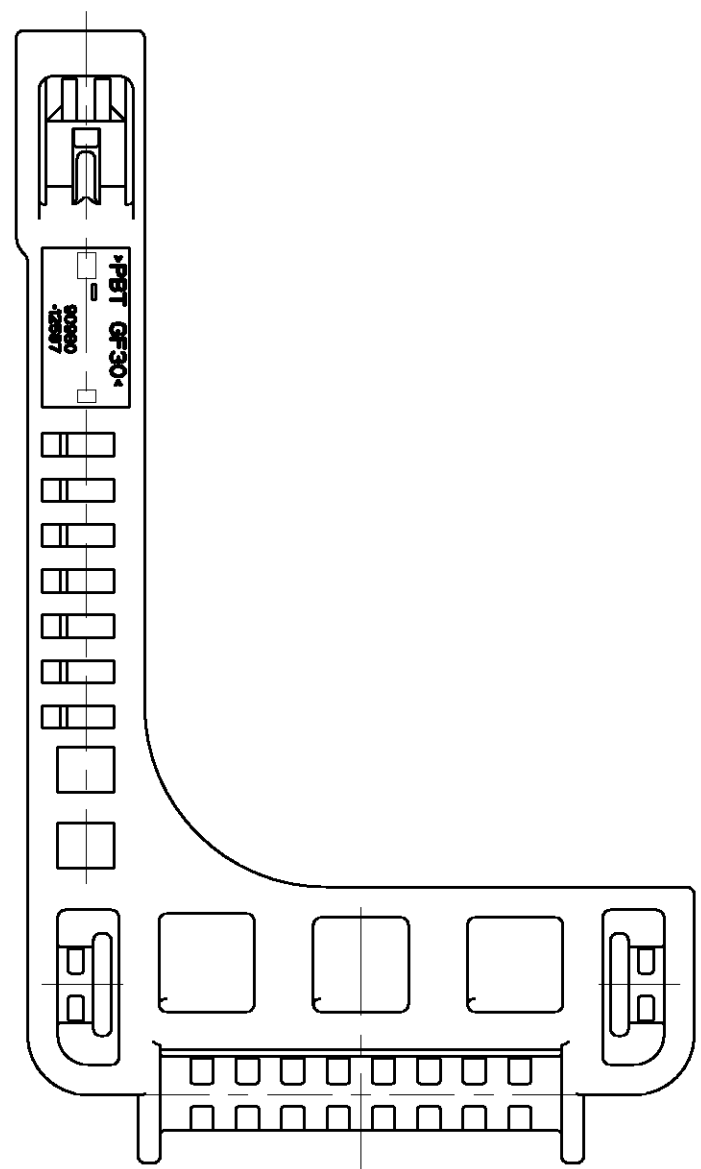


LOC		DIST		REVISIONS				
J		-		REV	DESCRIPTION	DATE	DWN	APVD
A	RELEASED					11MAY06	SS	SI
B	REVISED				ECR-07-018843	26SEP07	SS	HY



- MATING CONNECTOR IS:  
TYCO ELECTRONICS P/N:1747137/1827015
  - HANDLING OF THIS PART SHOULD FOLLOW  
INSTRUCTION SHEET NO.411-78084.
  - ASSEMBLED BY CUSTOMER.
- 
- 組合相手部品:  
TYCO ELECTRONICS P/N:1747137/1827015
  - 本製品の取扱は取扱説明書NO.411-78084に従うこと。
  - レバーは顧客にて組み立てられる。

PAPER BOX ダンボール箱	PLASTIC BAG ビニール袋	GRAY	1747139-1
OUTER 外装	INNER 内装	COLOR	P/N
PACKING STYLE 梱包形態			

DIMENSIONS: mm		TOLERANCES UNLESS OTHERWISE SPECIFIED: mm ± 0.3		DWN S. SHISHIKURA 11MAY06		Tyco Electronics AMP K.K. Kawasaki, Japan	
MATERIAL PBT		FINISH SEE TABLE		CHK K. SANAMAKI 11MAY06		NAME S. ISOHATA 11MAY06	
WEIGHT 16.6 g		APPROXIMATE WEIGHT		PRODUCT SPEC 108-5891		APPLICATION SPEC	
CUSTOMER DRAWING		SIZE A		CAGE CODE 00779		DRAWING NO. 1747139	
SCALE 2:1		SHEET 1 OF 1		REV B			