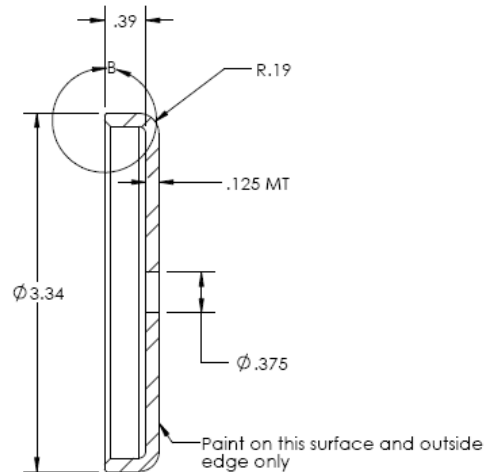
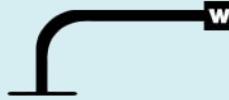


# HEAVY DUTY GOOSENECK FLEX ARM

95164 16" Long, 1/4-20 Female, Magnetic Base



ARM LENGTH	16" (406.4mm)
ARM MATERIAL	Steel
OUTSIDE DIAMETER	.695"
INSIDE DIAMETER	.325"
LOAD RATING	Max Load @ 90 Degrees: <b>2.5 pounds</b>
FEEL	Heavy Duty, Feels Stiff
MOUNTING STYLE	Magnetic Base, 3.0" Dia (76.2mm)
TOP FITTING	1/4-20 UNC Female Thread Male Thread Conversion Kit included with single use tube of Loctite and Male Stud
BASE FITTING	3/8-16 UNC Female Thread, with Magnetic Base Attached
COVERING SLEEVE	PVC, Matte Black



800-346-0761

222 Cessna Street  
Watertown, SD 57201

sales@moffattproducts.com

