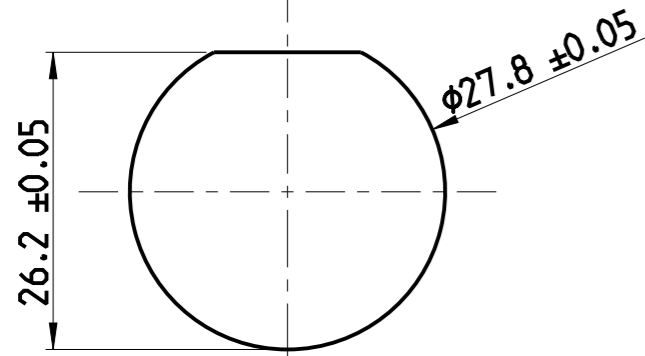
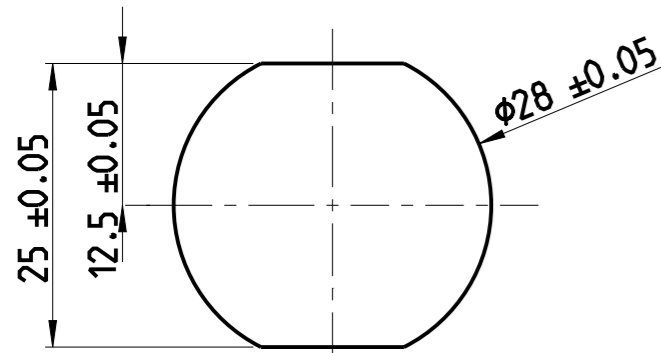


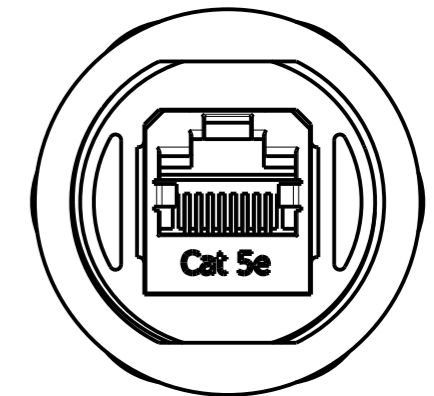
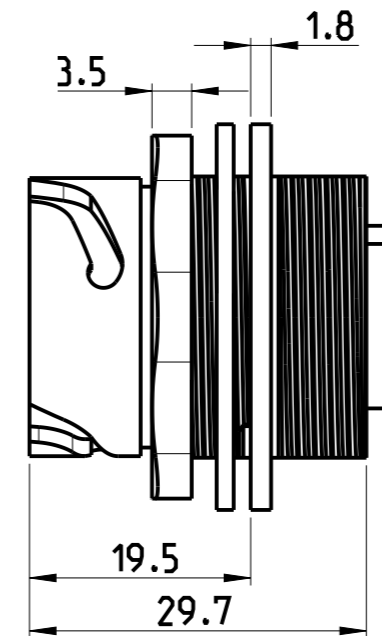
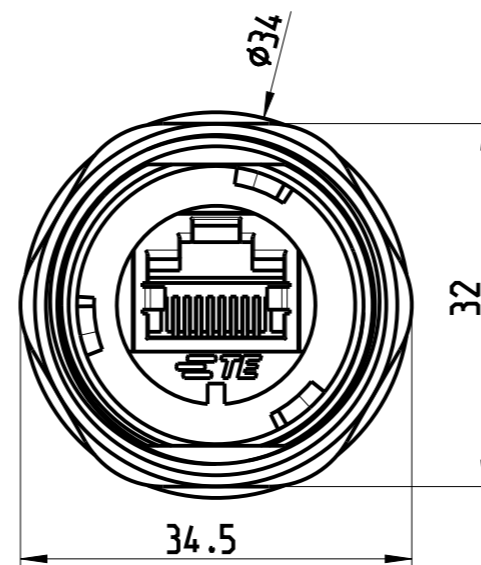
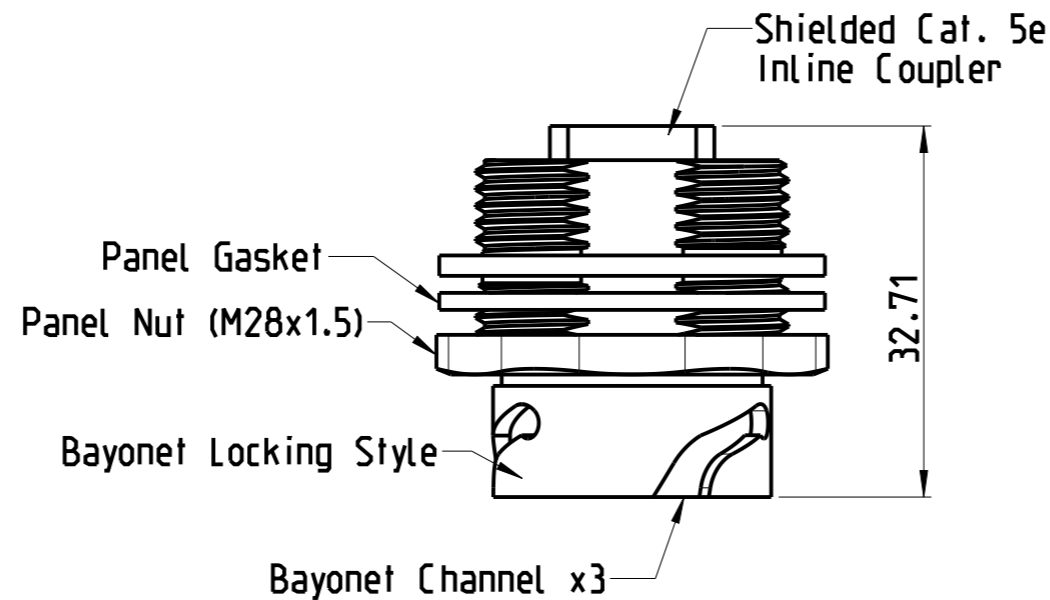
P	LTR	DESCRIPTION	DATE	DWN	APVD
1		PRELIMINARY DRAWING	12MAY2021	NM	JDB
A		GTP ECN-21-106099	14 JUN2021	NM	JDB



Recommended Single-D Panel Cutout



Recommended Double-D Panel Cutout



Notes:

1. Electrical Specifications:

- Meets EIA/TIA-568-B.2 Cat.5e Specification
- Contact Resistance: 20mOhm max.
- Insulation Resistance: 500MOhm min. @ 100 VDC
- Current Rating: 1.2A max. at 25°C
- Working Voltage: 72 VDC
- DWV: 1000 VDC/60s Contact to Contact. 1500 VDC/60s Contact to Metal Shell
- Operating Temperature: -40°C to +85°C

2. Material and Finish:

- Receptacle Housing: Zinc Die-Cast. Finish: Nickel Plated
- Panel Nut: Brass. Finish: Nickel Plated
- Panel Gasket: Silicon. Color: Transparent
- RJ45 Jack Metal Shell: Copper Alloy. Nickel Plated
- RJ45 Jack Plastic Housing: Glass filled PBT UL94 V-0. Color: Black
- RJ45 Jack Contacts: Phosphor Bronze. Finish: 50u" Gold min. over Nickel

3. Connector can be front or rear mounted to a maximum panel thickness of 3.2mm.

4. IP67 rated when covered or fully mated with the appropriate mating connector

5. RoHS compliant

6. Packaging Spec: 107-19763

7. Material and Finish:

- Receptacle Housing: PBT UL 94 V-0. black
- Panel Nut: Brass. Finish: Nickel Plated
- Panel Gasket: Silicon. Color: Transparent
- RJ45 Jack Metal Shell: Copper Alloy. Nickel Plated
- RJ45 Jack Plastic Housing: Glass filled PBT UL94 V-0. Color: Black
- RJ45 Jack Contacts: Phosphor Bronze. Finish: 50u" Gold min. over Nickel

E81956	7	2355443-2	1SET316001R0000
E81956	2	2355443-1	1SET316003R0000
UL NO.	MATERIAL	TEPN	ENTRELEC PN

THIS DRAWING IS A CONTROLLED DOCUMENT.		DWN N.MANTIKOU 12MAY2021		<b>ENTRELEC</b> Electrical Solutions	
DIMENSIONS: mm		CHK B.PENG 12MAY2021			
TOLERANCES UNLESS OTHERWISE SPECIFIED:		APVD J.D. BRULIN 12MAY2021		NAME JACK RECEPT. ASSY KIT SHIELDED CAT 5e RJ45 COUPLER	
0 PLC ±0.50		PRODUCT SPEC -		SIZE A3	
1 PLC ±0.38		APPLICATION SPEC 114-19162		CAGE CODE 00779	
2 PLC ±0.25		WEIGHT -		DRAWING NO C-1SET316001R0000	
3 PLC ±0.10		CUSTOMER DRAWING		RESTRICTED TO -	
4 PLC ±		SCALE 3:2		SHEET 1 OF 1	
ANGLES ±3°		FINISH SEE TABLE		REV A	
MATERIAL SEE TABLE					