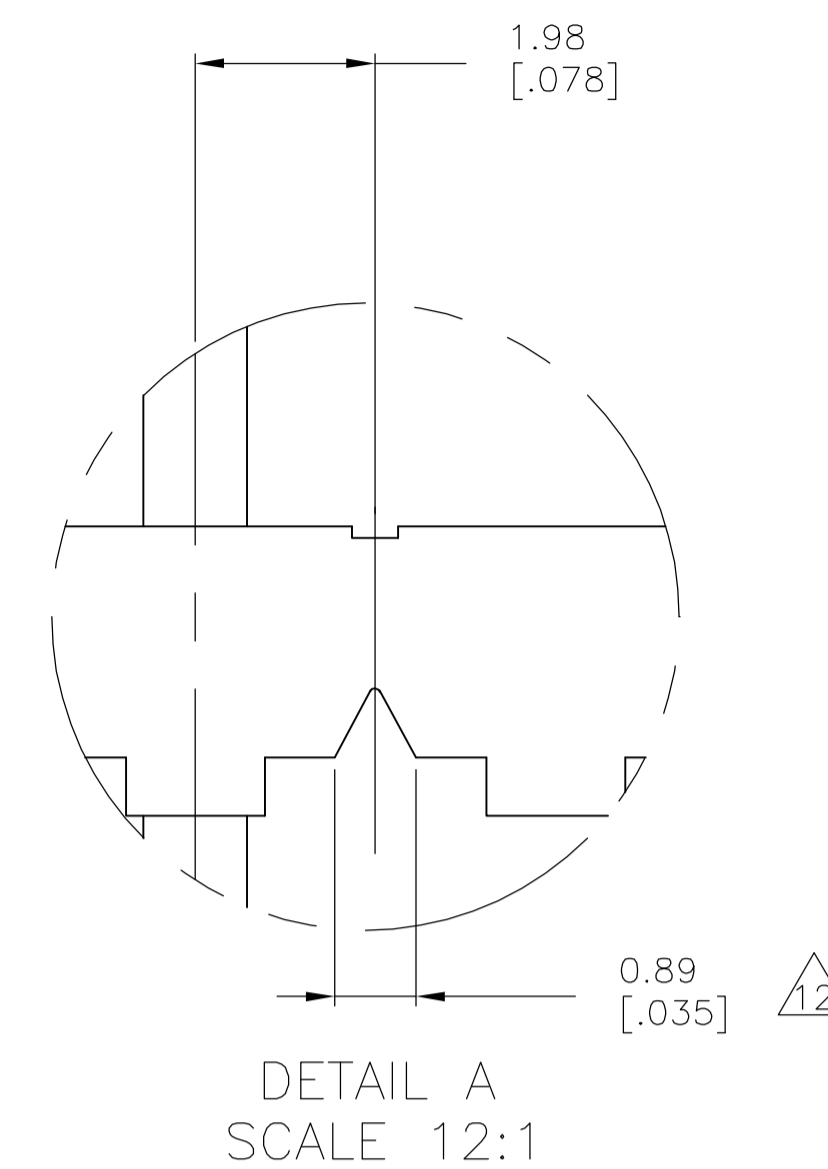
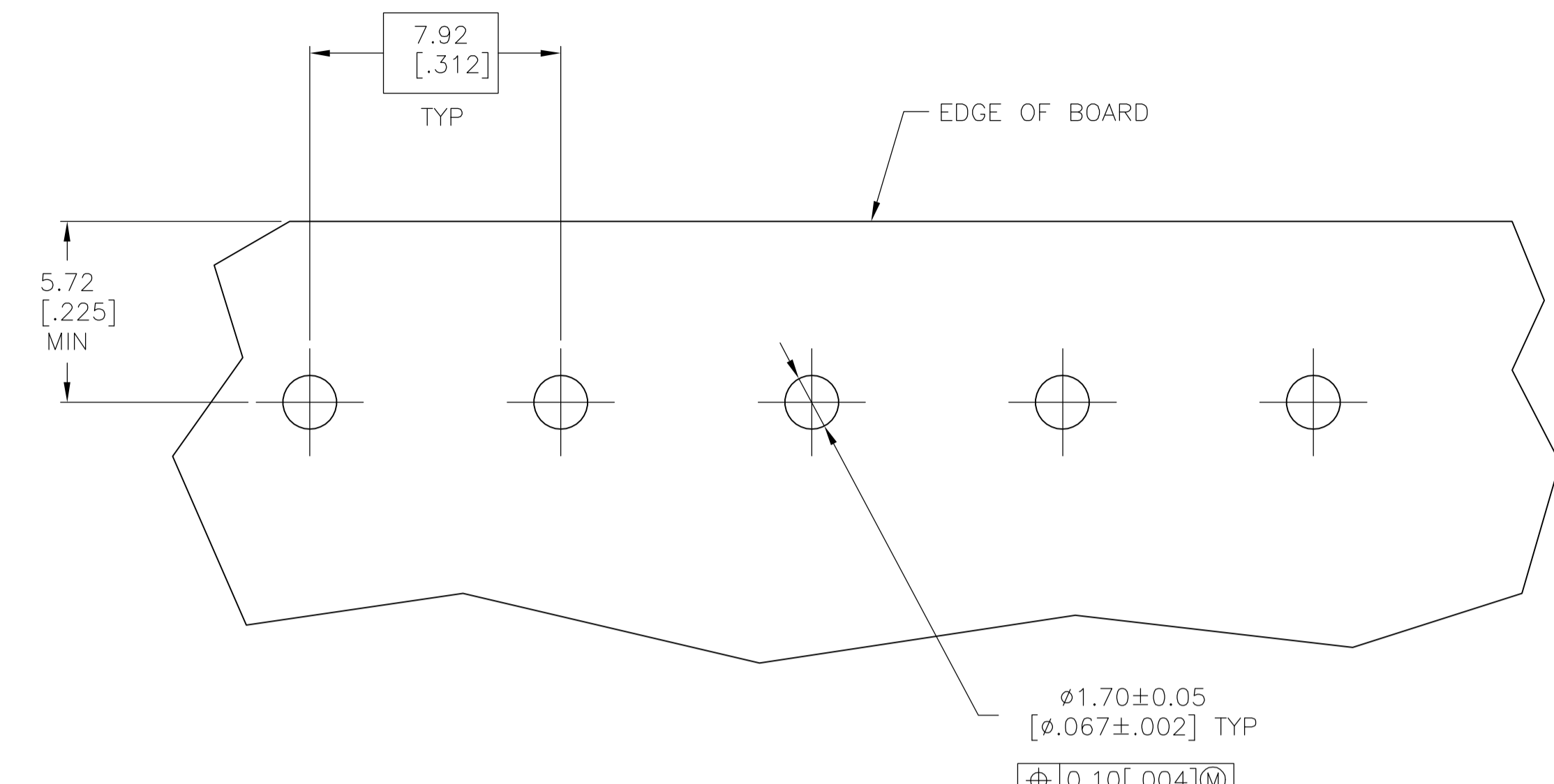
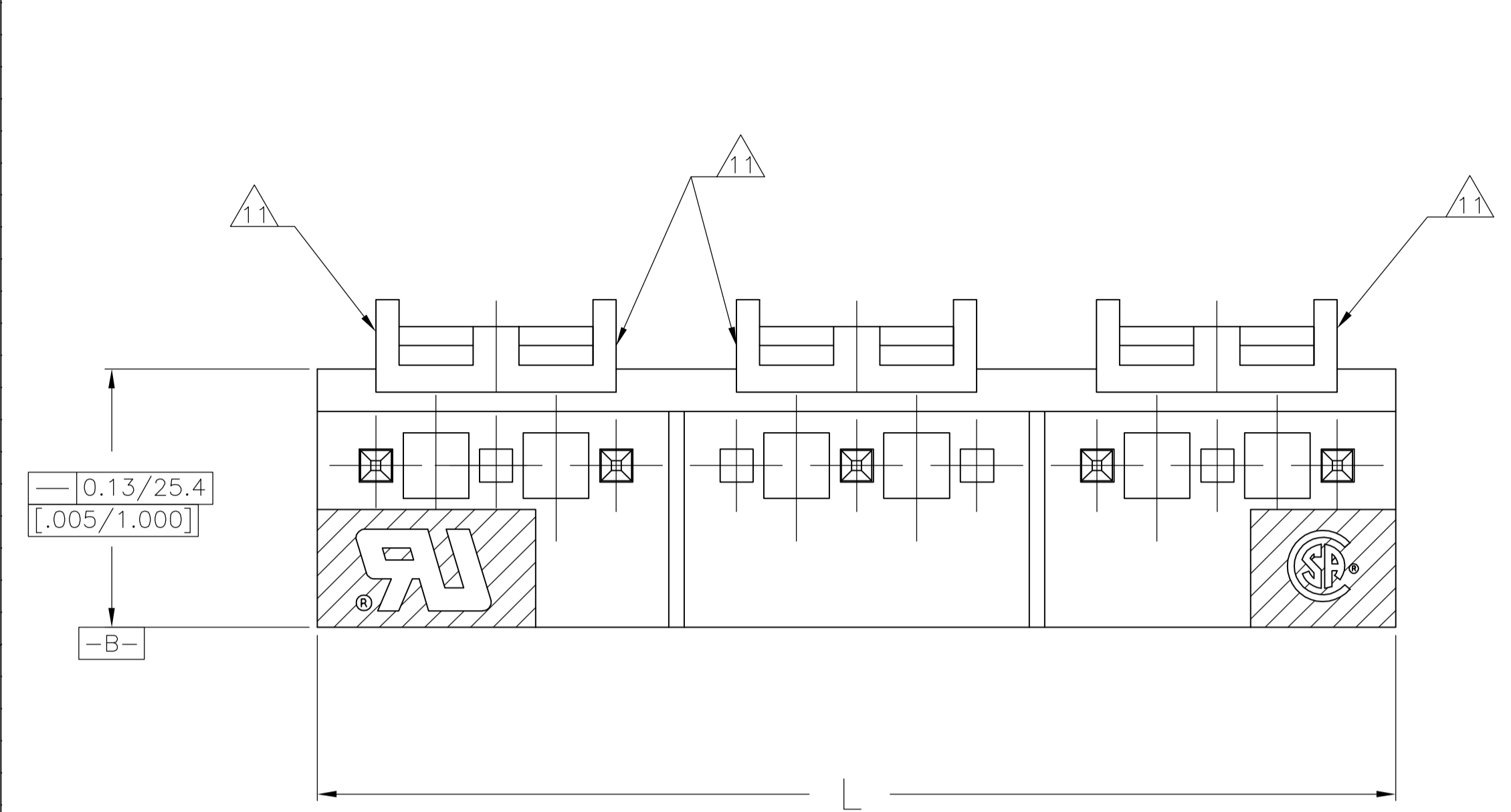
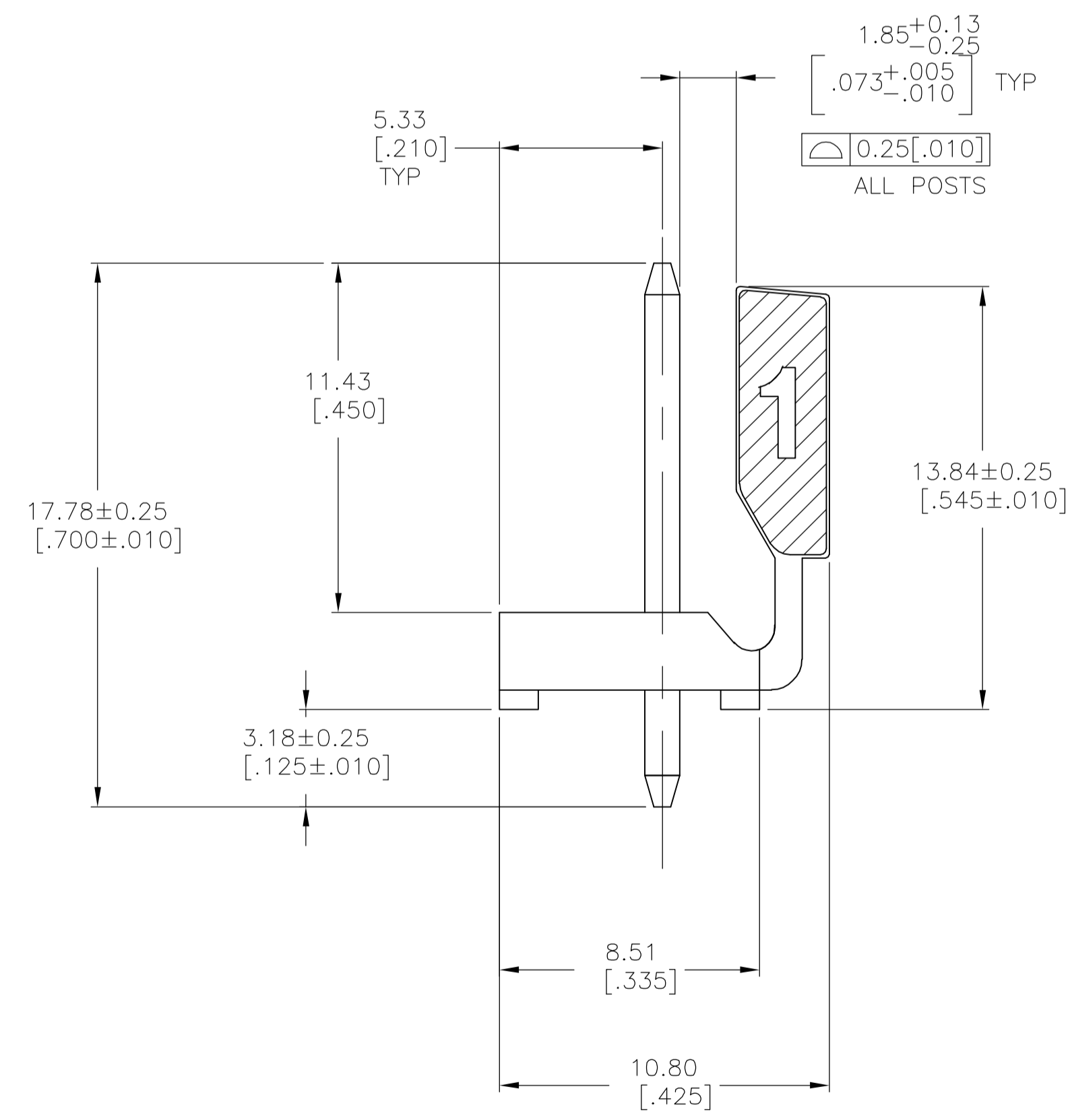
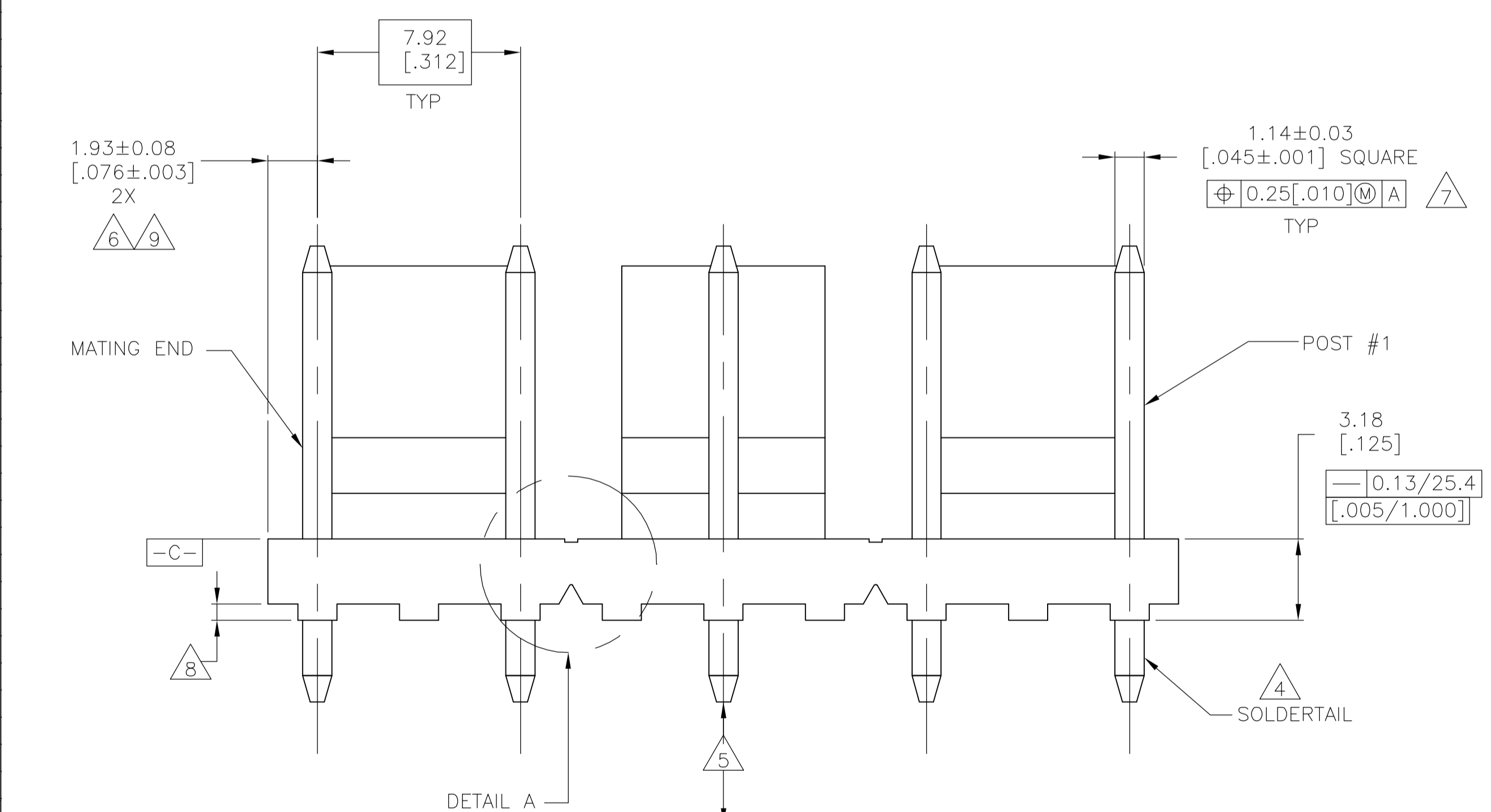


LOC		DIST		REVISIONS			
P	LR	DESCRIPTION	DATE	DN	APD		
0		EC 063B 110B 04	04OCT05	BSV	DB		



RECOMMENDED MOUNTING HOLE PATTERN FOR 1.57 [.062] THICK P.C. BOARD



- 1 MATERIAL
HOUSING: THERMOPLASTIC POLYESTER, GLASS FILLED DR-48, UL94V-0.
POST: COPPER ALLOY
- 2 FINISH
HOUSING: BLACK
POST: MATTE TIN PLATE, 0.00380-0.00880 [.000150-.000350] THICK OVER NICKEL UNDERPLATE, 0.00130 [.000050] MINIMUM THICK.
- 3. THIS PART IS ROHS/ELV COMPLIANT.
- 4 POST SOLDERTAILS COMPLY WITH TYCO SOLDERABILITY SPECIFICATION 109-11-2.
- 5 POST WITHSTANDS 13.34 NEWTONS (3 LBS) MINIMUM AXIAL FORCE IN EITHER DIRECTION WITHOUT DISLODGING.
- 6 APPLIES AT -C-
- 7 APPLIES WHEN THE HEADER IS STRAIGHT.
- 8 PLASTIC PROJECTIONS PERMITTED IN THIS ZONE.
- 9 COORDINATE DIMENSIONS APPLIES FROM CENTER OF THE ACTUAL FEATURE.
- 10 SOLDER SIDE OF BOARD IS SHOWN.
- 11 EDGE OF POLARIZING LOCK WALL TO BE IN LINE WITH CENTERLINE OF ADJACENT POST WITHIN ±0.13 [.005].
- 12 NOTCH SHOWN MAY OR MAY NOT APPEAR.

METRIC

3&4	6&7	35.53 [1.399]	9	1744084-9
BACK WALL INTERRUPTIONS BETWEEN POSTS		L	NO. OF POSTIONS	PART NUMBER
THIS DRAWING IS A CONTROLLED DOCUMENT.		DIN S. HOOVER 23SEP04	Tyco Electronics Corporation Harrisburg, PA 17105-3608	
DIMENSIONS: mm [INCHES]		CHK D. BOSSI 23SEP04	NAME: MTA-156 HEADER ASSEMBLY, FRICTION LOCK, STRAIGHT .045 SQUARE POST, TIN PLATED, POLARIZED LOCK, OMITTED POSTS #2, 4, 6, 8	
TOLERANCES UNLESS OTHERWISE SPECIFIED:		APD D. BOSSI 23SEP04	PRODUCT SPEC	
0 PLC	± -	APPLICATION SPEC		
1 PLC	± -	SIZE		
2 PLC	± 0.13 [.005]	CAGE CODE DRAWING NO		
3 PLC	± -	WEIGHT		
4 PLC	± -	A1 00779 C=1744084		
ANGLES	± -	CUSTOMER DRAWING		
FINISH	± -	SCALE 6:1 SHEET 1 OF 1 REV 0		