

4

3

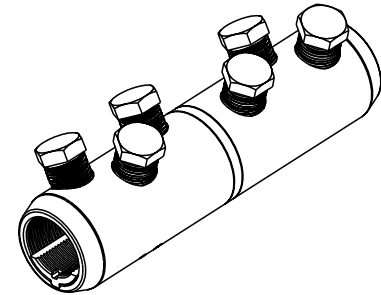
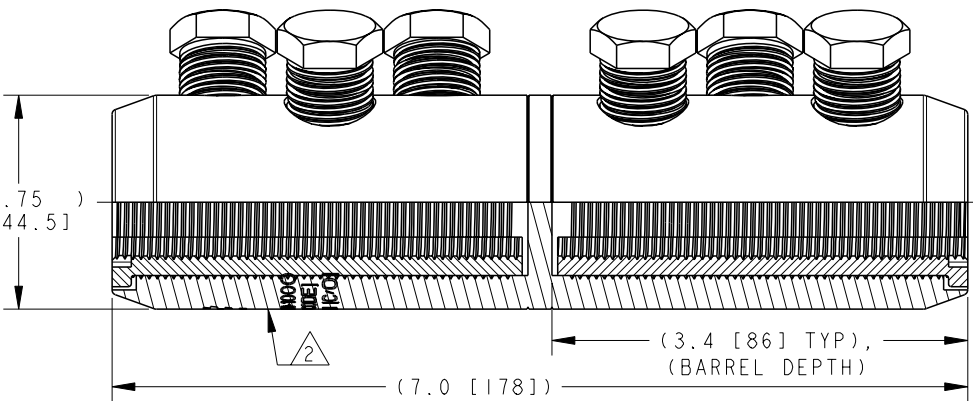
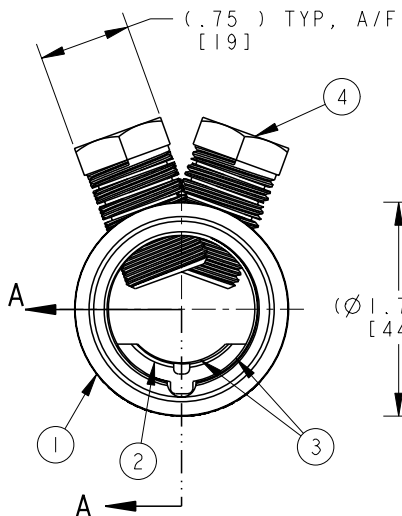
2

1

THIS DRAWING IS UNPUBLISHED. RELEASED FOR PUBLICATION 20
 © COPYRIGHT 20 BY TYCO ELECTRONICS CORPORATION. ALL RIGHTS RESERVED.

LOC GA DIST I

P		LTR	DESCRIPTION	DATE	DWN	APVD
	A		INITIAL REL. PER LC20-0073-09	18JUN2009	DM	BJ
	B		LC20-0171-09 / ECO-09-028566	24DEC2009	DM	BJ
	C		LC20-0195-10 / ECO-10-023572	16NOV2010	DM	BJ



SCALE 1:2

SECTION A-A

CSBS 500-1000	1974111-1
CATALOG NO.	PART NO.

1. ACCOMMODATES:
 500 KCMIL COMPACT STR (.736 DIA [Ø18.7])
 TO 1000 KCMIL STD STR (1.152 DIA [Ø29.3])
 COPPER CONDUCTORS.

2 MARKINGS:



CSBS 500 - 1000
 [DATE CODE]
 MADE IN [COUNTRY OF ORIGIN]

3. INSERT SHALL BE REMOVED FOR
 CONDUCTOR SIZES GREATER THAN 750 KCMIL
 STD STR (.998 DIA [Ø25.35]).

4. ALL DIMENSIONS ARE FOR
 REFERENCE ONLY.

5. INSTALL BOLTS WITH 3/4 INCH HEX.
 SOCKET.

1	INSTALLATION INSTRUCTION SHEET, 408-10327	6
1	ABRASIVE TAPE	5
6	MULTI-SHEAR BOLT, BRASS, M18, 19 mm A/F	4
A/R	CONTACT GREASE, NEUTRAL	3
2	INSERT, COPPER, 500 KCMIL-1000 KCMIL	2
1	CONNECTOR SLEEVE BODY, COPPER, 500 KCMIL-1000 KCMIL	1
-1	DESCRIPTION	ITEM NO
QTY	PARTS LIST	

<small>THIS DRAWING IS A CONTROLLED DOCUMENT FOR TYCO ELECTRONICS CORPORATION IT IS SUBJECT TO CHANGE AND THE CONTROLLING ENGINEERING ORGANIZATION SHOULD BE CONTACTED FOR THE LATEST REVISION.</small>		DWN 18 JUN 2009 D. MURUGIAH CHK A BULZA APVD B JOHNSON PRODUCT SPEC	Tyco Electronics Markham, ON L3R 1E1
DIMENSIONS: INCHES [mm]	TOLERANCES UNLESS OTHERWISE SPECIFIED: 0 PLC ± 1 PLC ± 2 PLC ± 3 PLC ± 4 PLC ± ANGLES ± FINISH NONE	NAME SHEARBOLT CONNECTOR, COPPER, 500 KCMIL COMPACT STR TO 1000 KCMIL STD STR CU CONDUCTORS	RESTRICTED TO -
MATERIAL SEE TABLE	SIZE A3	CAGE CODE 00779	DRAWING NO C=1974111
CUSTOMER DRAWING		SCALE NTS	SHEET 1 OF 1 REV C