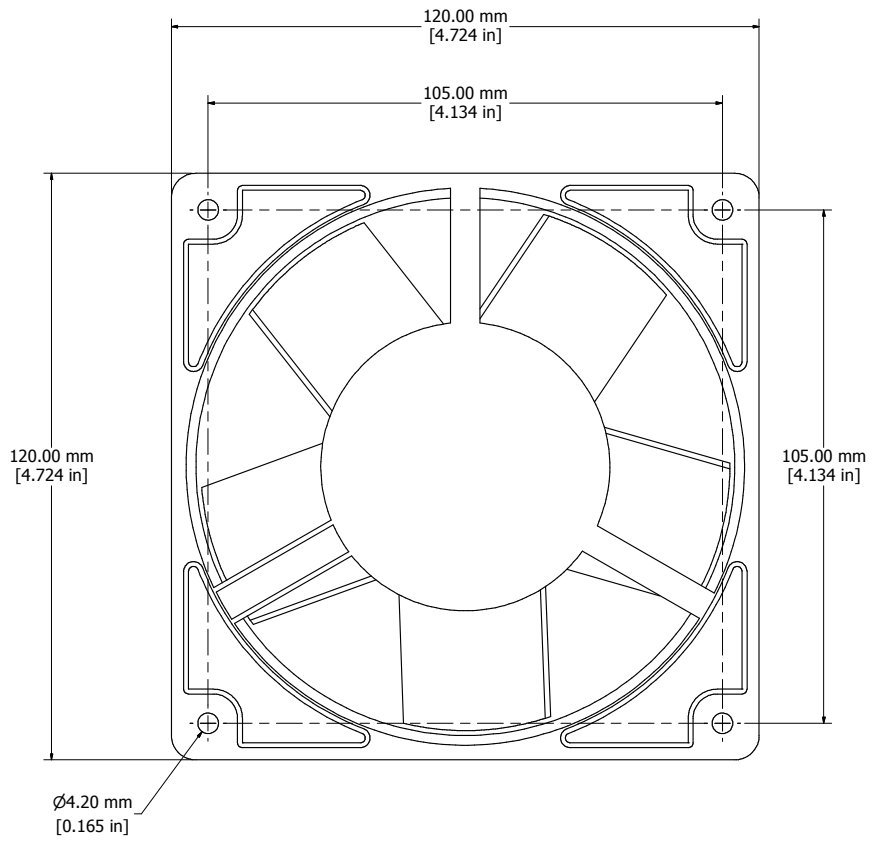
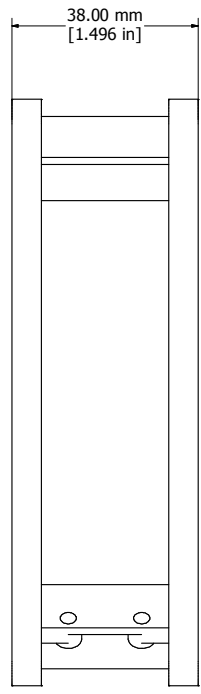


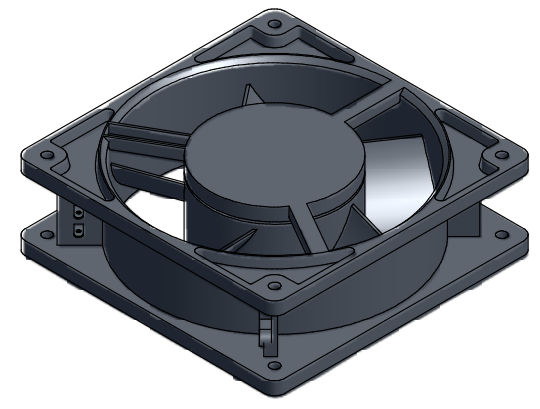
8 | 7 | 6 | 5 | 4 | 3 | 2 | 1



TOP VIEW



SIDE VIEW



ISOMETRIC VIEW

<b>DNMF100AC115</b>	
Finish - Housing - Black Painted Aluminum	
- Fan - Black Painted Steel	
Rated - 115 VAC, 50/60 Hz, 0.19 Amps	
Free Flow Air Delivery - 105 CFM	
<b>Hardware</b>	
4 Screws - Panhead Self-tapping 10-32 x 1/2"	
8 Screws - Type F 10-24 x 3/8"	
4 Bolts - 8-32 x 2"	
4 Hex Nuts - 8-32 Thread	
4 External Tooth Washers	

**HAMMOND  
MANUFACTURING™**

**DNMF100AC115**

[www.hammondmfg.com](http://www.hammondmfg.com)

8 | 7 | 6 | 5 | 4 | 3 | 2 | 1