

4

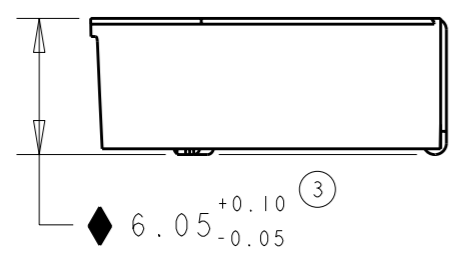
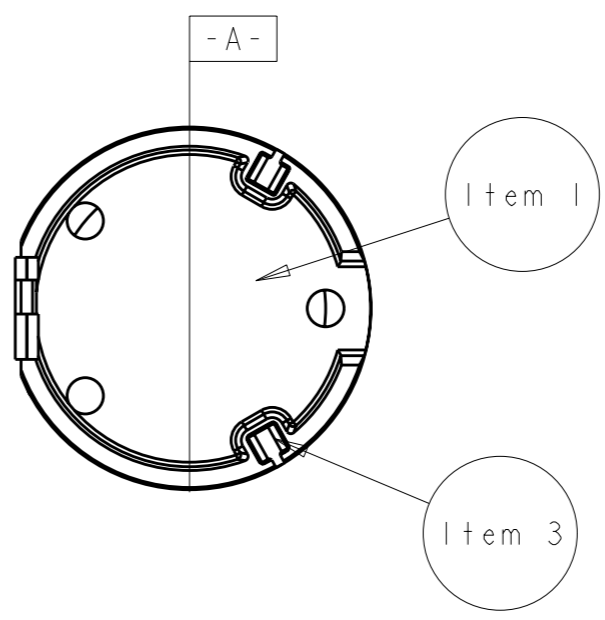
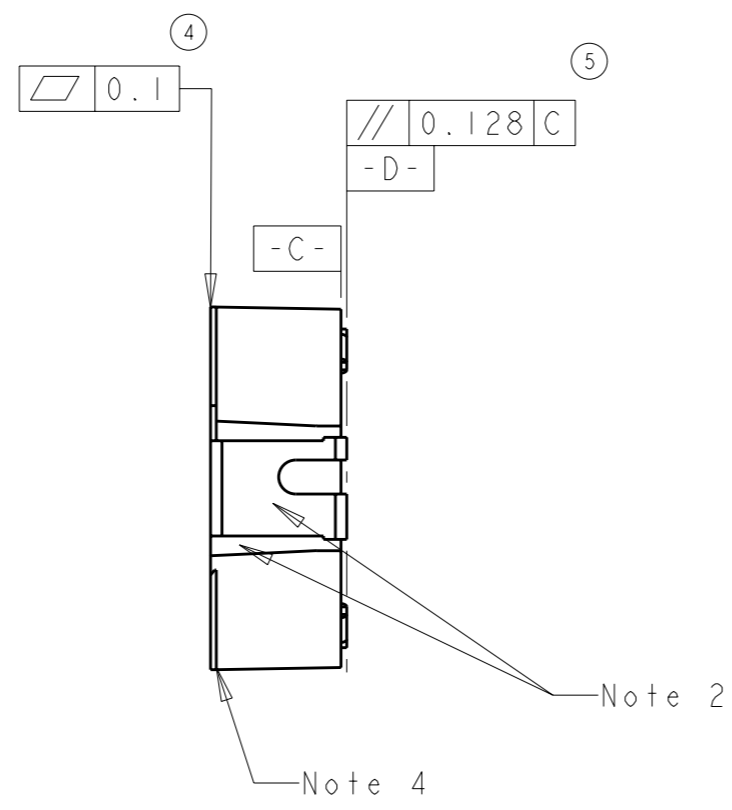
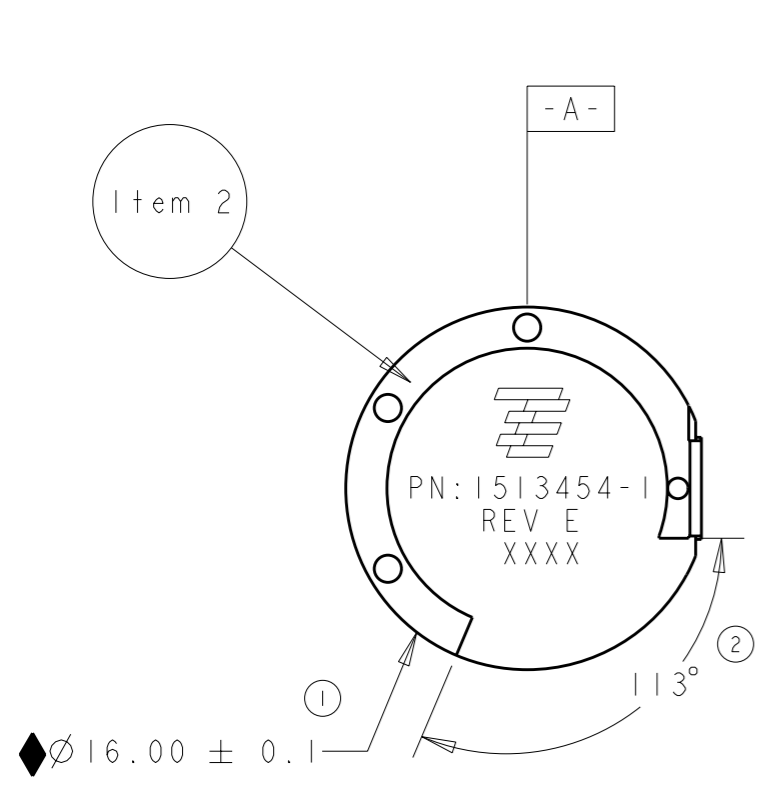
3

2

1

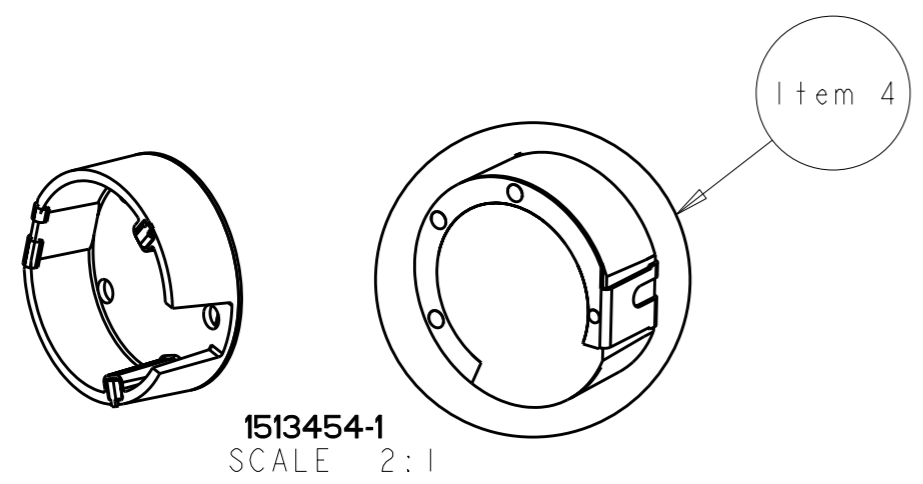
THIS DRAWING IS UNPUBLISHED. RELEASED FOR PUBLICATION 20
 © COPYRIGHT 20 BY TYCO ELECTRONICS CORPORATION. ALL RIGHTS RESERVED.

LOC	DIST	REVISIONS			
P	LTR	DESCRIPTION	DATE	DWN	APVD
HQ	00	E	REVISED NOTES	3MAY2010	DW GG



NOTES:

1. Material-DuPont Zenite 6130L, 30% glass filled, black color.
2. General tolerance block applies unless otherwise specified.
3. All components are RoHS compliant per Tyco Electronics standards TEC-138-702
4. Part will be identified with part number, rev letter, TE logo and 4 digit date code. 1st two digits for the year and the 2nd two digits for the week.
5. Consult Tyco Electronics data sheet 1513454



1513454-1
SCALE 2:1

ONGOING STATISTICAL PROCESS CONTROL REQUIRED (TOTAL 2 PCS.)

<small>THIS DRAWING IS A CONTROLLED DOCUMENT FOR TYCO ELECTRONICS CORPORATION IT IS SUBJECT TO CHANGE AND THE CONTROLLING ENGINEERING ORGANIZATION SHOULD BE CONTACTED FOR THE LATEST REVISION.</small>		DWN	KPG		11NOV2004		Tyco Electronics Rochester, New York 14623			
DIMENSIONS:		CHK	-		-					
mm		APVD	-		-		NAME Antenna Assembly 1513454-1			
TOLERANCES UNLESS OTHERWISE SPECIFIED:		PRODUCT SPEC	-		-					
0 PLC ±0.10		APPLICATION SPEC	-		-		SIZE	CAGE CODE	DRAWING NO	RESTRICTED TO
1 PLC ±0.10		WEIGHT	-		-		A3	00779	C=1513454	-
2 PLC ±0.05		CUSTOMER DRAWING				SCALE	4:1	SHEET	OF	REV
3 PLC ±0.05										E
4 PLC ±0.01										
ANGLES ±1°										
MATERIAL										
FINISH										