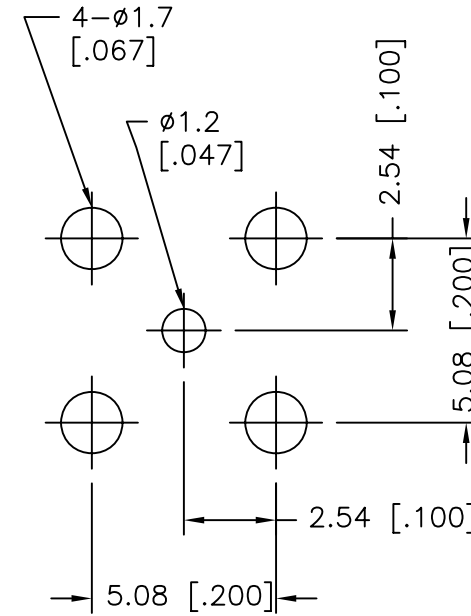
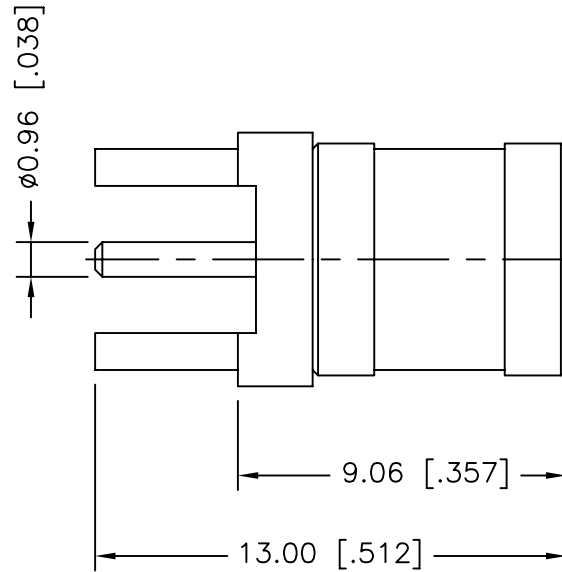
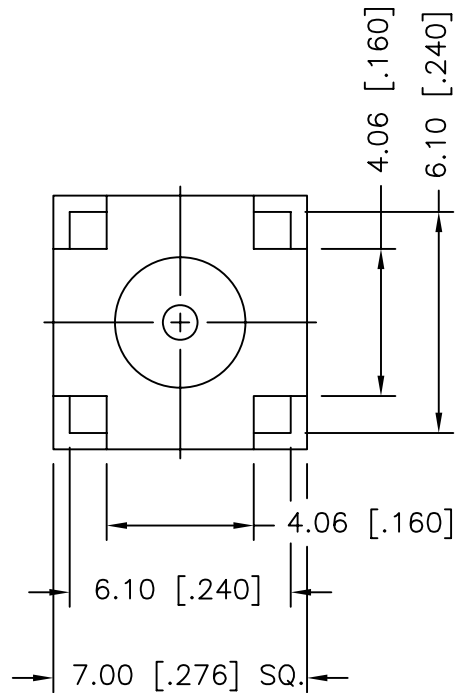


REV.	DATE	ECR NO.	DESCRIPTION
NC	10/29/96	XXXXXX	INITIAL RELEASE
A	05/29/07	XXXXXX	UPDATE DRAWING FORMAT
B	12/06/11	2264	ADD NOTES AND ADD PCB MOUNTING HOLE



PCB MOUNTING HOLE

1. FREQUENCY RANGE: DC-4 GHz
2. VSWR: 1.3 MAX.
3. DIELECTRIC WITHSTANDING VOLTAGE: 1000 VRMS, MIN.

DESCRIPTION	MATERIAL	FINISH	QTY	
5	RETAINER RING	BERYLLIUM COPPER	NATURAL	1
4	CONTACT PIN	BERYLLIUM COPPER	GOLD	1
3	INSULATOR	PTFE	NATURAL	1
2	BODY	BRASS	GOLD	1
1	SHELL	BRASS	GOLD	1

UNLESS OTHERWISE SPECIFIED DIMENSIONS ARE IN MILLIMETERS. DIMENSIONS IN [] ARE IN INCHES AND FOR CUSTOMER REFERENCE ONLY.

UNLESS OTHERWISE SPECIFIED TOLERANCES FOR MILLIMETERS ARE:
0.5 - 8mm \pm 0.20mm
8 - 30mm \pm 0.40mm
30 - 120mm \pm 0.50mm

UNLESS OTHERWISE SPECIFIED TOLERANCES FOR INCHES ARE:
.020 - .315 \pm 0.007"
.315 - 1.180 \pm 0.015"
1.180 - 4.724 \pm 0.020"

DO NOT SCALE DRAWING

APPROVALS	DATE
DRAWN M.ZHANG	12/06/11
CHECKED	
ISSUED	
SHEET 1 OF 1	
CAD FILE C:/CONNEX/142134.DWG	

Amphenol Connex

PART DESCRIPTION			
STRAIGHT SMB PLUG FOR P.C. BOARD			
PART NO.			
142134			
DWG. NO.	REV.	SIZE	SCALE
142134.DWG	B	A	NA