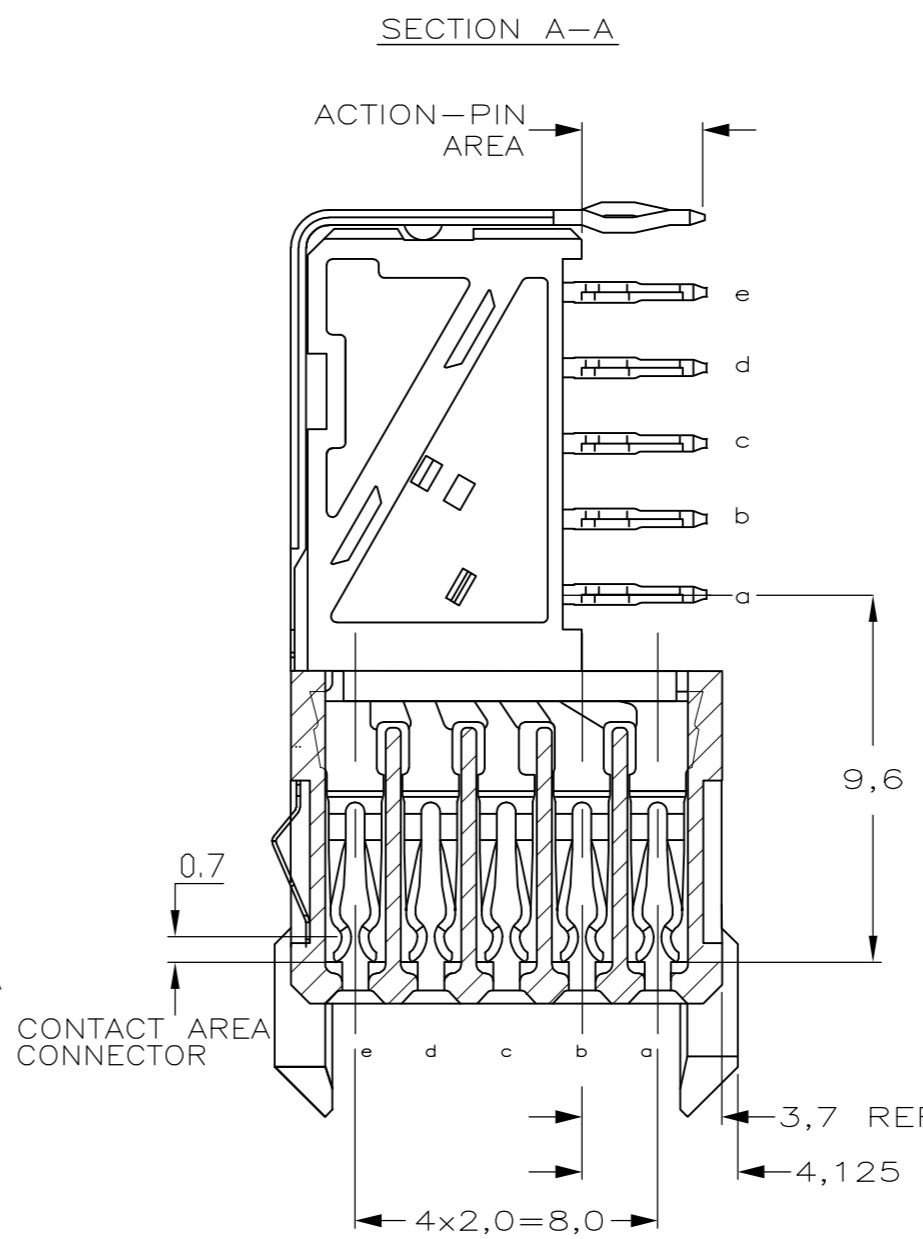
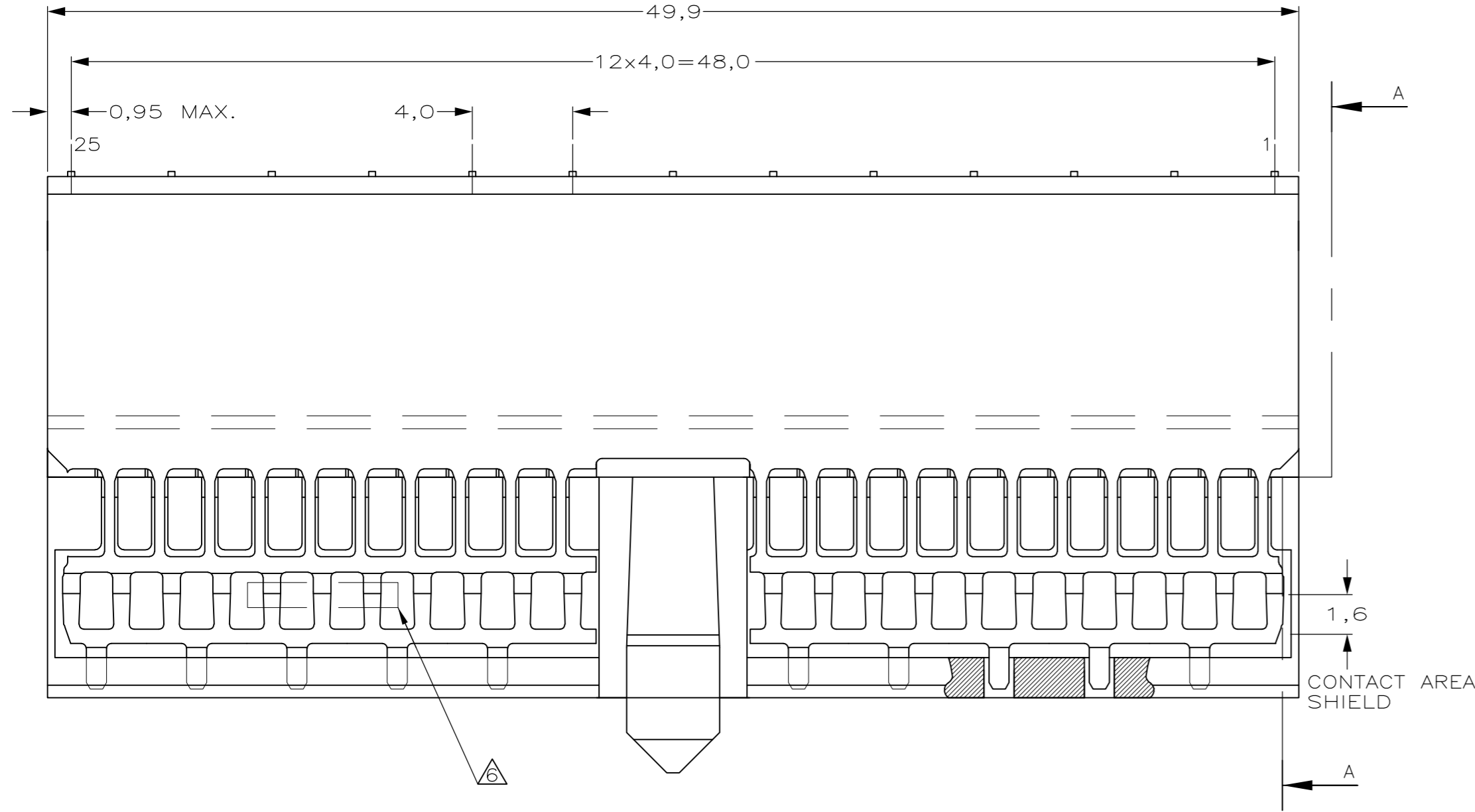
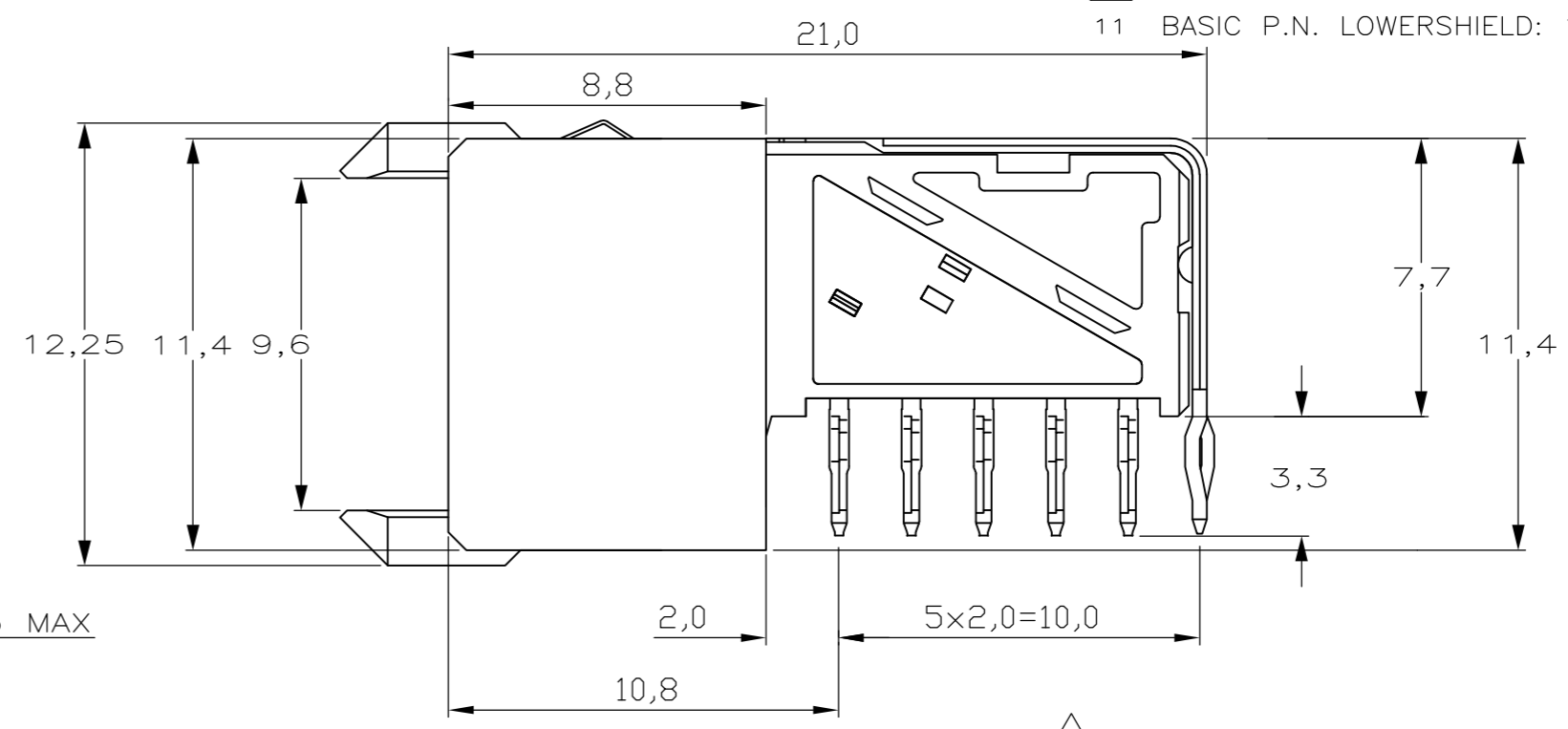
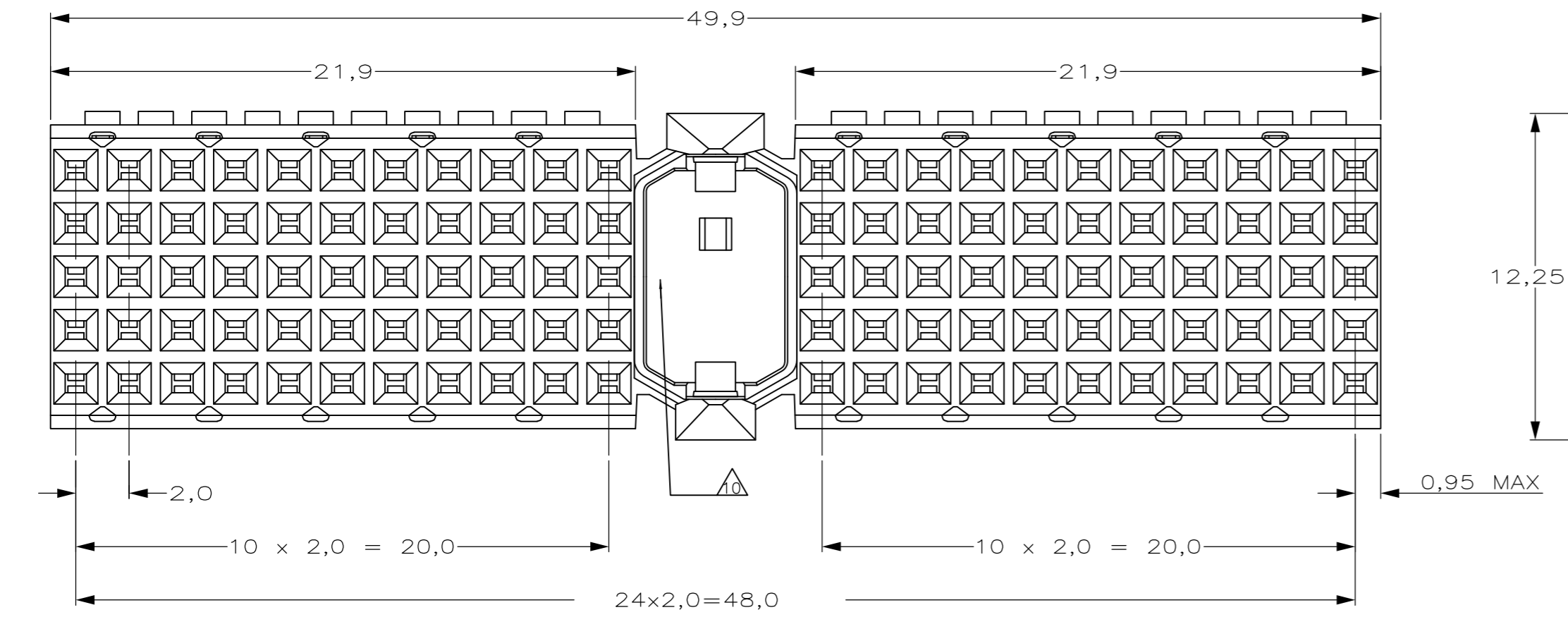


THIS DRAWING IS UNPUBLISHED. RELEASED FOR PUBLICATION
 © COPYRIGHT - TE Connectivity ALL RIGHTS RESERVED.

REVISIONS				
P	LTR	DESCRIPTION	DATE	APVD
B		ECR-16-014280	24JUL2017	FL SY

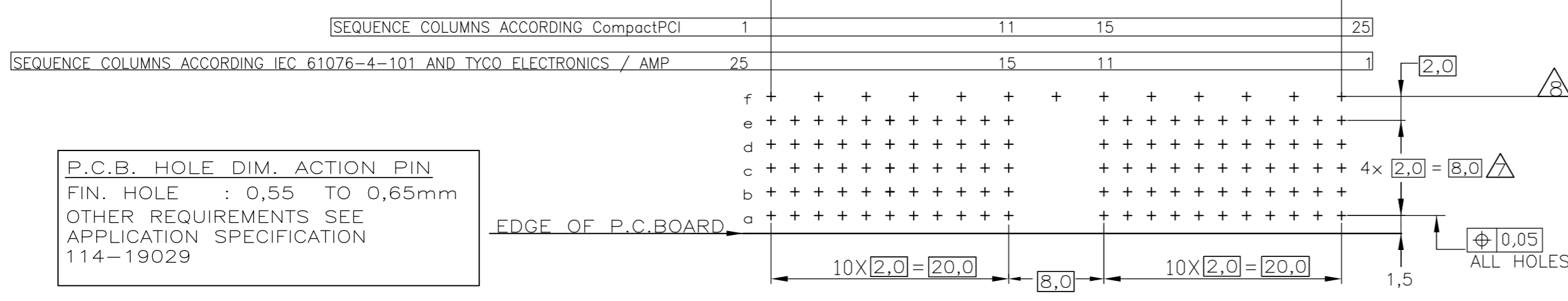


- ⚠️ PLATING CONNECTOR:
CONTACT AREA: 0,76µm Au MIN. OVER 1,27µm Ni MIN.
ACTION PIN : 0,5µm SnPb MIN. OVER 1,27µm Ni MIN.
- ⚠️ PLATING CONNECTOR:
CONTACT AREA: 0,76µm Au MIN. OVER 1,27µm Ni MIN.
ACTION PIN : 0,5µm Sn MIN. OVER 1,27µm Ni MIN.
- ⚠️ PLATING SHIELD:
CONTACT AREA: 0,76µm Au MIN.
ACTION PIN : 0,5µm SnPb MIN.
REMAINDER : Ni
- ⚠️ PLATING SHIELD:
CONTACT AREA: 0,76µm Au MIN.
ACTION PIN : 0,5µm Sn MIN.
REMAINDER : Ni
- ⚠️ MATERIAL CONTACTS; PHOSPHORBRONZE
MATERIAL SHIELD; PHOSPHORBRONZE
MATERIAL HOUSING; GLASSFILLED POLYESTER (GRAY)
- ⚠️ ASSEMBLY PRINTED WITH P/N AND DATECODE
THE MARKING CAN APPEAR ON THE FRONT SIDE OR
BACK SIDE.
- ⚠️ HOLE PATTERN FOR FEMALE CONNECTOR TYPE A
110 PLATED-THROUGH HOLES AT 2x2mm SQUARE GRID
- ⚠️ ROW "f" 13 PLATED THROUGH HOLES FOR UPERSHIELD
CONNECTOR LUBRICATED WITH BELLCORE
APPROVED LUBRICANT, TECHNICAL REFERENCE
TR-NWT-001217 ISSUE 1, SEPT. 1992.
- ⚠️ CONNECTOR TESTED AND QUALIFIED ACCORDING BELLCORE
QUALITY LEVEL III, CENTRAL OFFICE APPLICATIONS
- ⚠️ AREA RESERVED FOR KEYING PART (BASIC P.N. 100526)
BASIC P.N. LOWERSHIELD: 1746790



⚠️ OBSOLETE PARTS: OBSOLETE CIS STREAMLINING PER D.RENAUD/D.SINISI

COMPONENT SIDE AS SHOWN
 RECOMMENDED PCB-HOLE LAY-OUT
 SCALE 2,5:1



P.C.B. HOLE DIM. ACTION PIN
 FIN. HOLE : 0,55 TO 0,65mm
 OTHER REQUIREMENTS SEE
 APPLICATION SPECIFICATION
 114-19029

	FINISH	MATERIAL	PART NUMBER
OBSOLETE	⚠️⚠️⚠️	⚠️	1-1746992-9
	⚠️⚠️	⚠️	1-1746992-1
OBSOLETE	⚠️⚠️⚠️	⚠️	-1746992-9-
OBSOLETE	⚠️⚠️	⚠️	-1746992-1-

THIS DRAWING IS A CONTROLLED DOCUMENT.		DWN T.KATANO 10MAY04	TE Connectivity	
DIMENSIONS: 单位: 毫米 mm		CHK T.KIMURA 14MAY04	Z-PACK 2mm HM	
TOLERANCES UNLESS OTHERWISE SPECIFIED: 一般公差		APVD K.IKEGAMI 14MAY04	110 POS. FEMALE CONNECTOR TYPE A WITH GROUND RETURN UPPER SHIELD	
0 PLC ± 0.3		PRODUCT SPEC 108-19082	SIZE A2	CAGE CODE 00779
1 PLC ± 0.3		APPLICATION SPEC 114-19029	DRAWING NO. C=1746992	RESTRICTED TO -
2 PLC ± 0.3		WEIGHT 0.000000	SCALE 5:1	SHEET 1 OF 1
3 PLC ± 0.3		CUSTOMER DRAWING	REV B	
4 PLC ANGLES ± 3°				
FINISH 仕上				