



Product Description:

- Safety Eyewear Dispenser - Divided
- Holds up to 25 pair of safety glasses or goggles
- Two-way keyholes for horizontal or vertical wall mounting
- Made of Quartz Beige ABS Plastic

Primary Area for Product Usage:

- Any location where safety glasses or goggles need to be accessed or stored

Dispenses:

- 25 safety glasses or goggles
- Each cubby measures 4.00" x 3.00" x 7.03"D (10.2 cm x 7.6 cm x 17.9 cm)

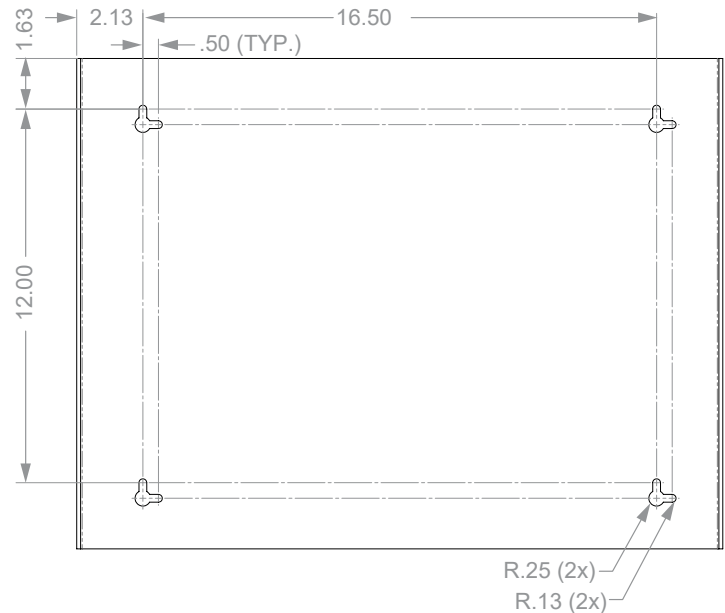
Package Specifications:

- Package Quantity: 1 per case
- 24"W x 8"H x 24"D (61.0 cm x 20.3 cm x 61.0 cm)
- 11.0 lbs (5.0 kg) - approximated

Product Specifications (overall external dimensions):

- 20.75"W x 15.75"H x 7.13"D (52.7 cm x 40.0 cm x 18.1 cm)
- 8.3 lbs (3.8 kg) - approximated

Mounting Specifications:



Alternate Mounting Option:

- Mounted vertically

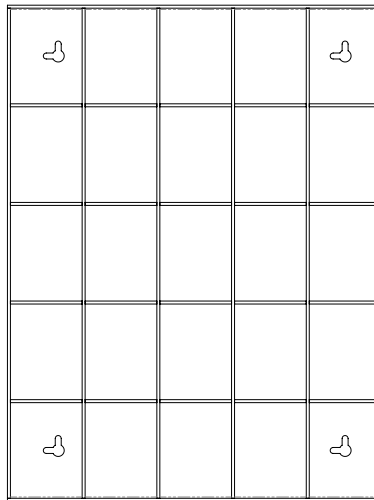
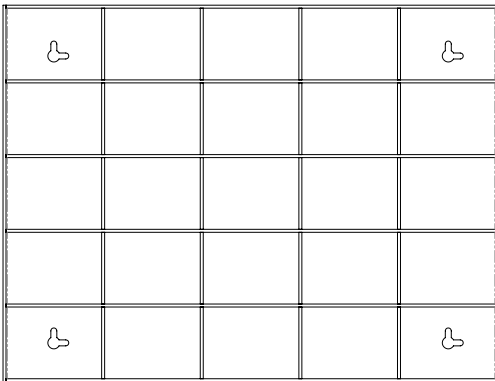




Installation

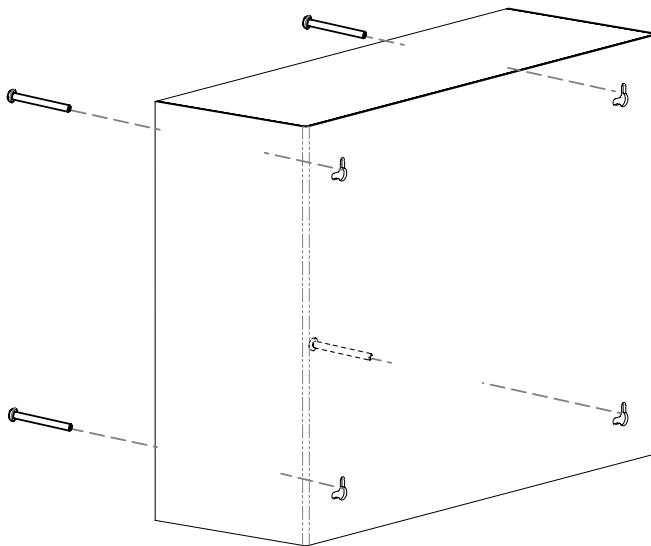
Always mount dispensers securely *prior* to loading with product.

- L-shaped keyholes make it easy to mount in four positions, depending on space available and smooth or textured surface preference.



1

- Mount securely to a wall with screws approved and supplied by building maintenance.



2

Parts included:

- Dispenser

Tools Required:

- No tools required to assemble dispenser

Care and Construction

ABS Plastic

Material Characteristics

Designed for Long-Term, Heavy-Duty Applications

The combination of copolymers (Acrylonitrile, Butadiene, and Styrene) gives ABS an excellent combination of strength, rigidity, and toughness.

ABS is chemical and stress-crack resistant. It is tough, dimensionally stable, and will hold up to long-term use. It possesses high strength and performance characteristics at a reasonable cost.

Care and Cleaning

Use mild soap and water to clean. Petroleum-based oils, solvents, and paints should not be used.

Standard hospital cleaning supplies can be used.