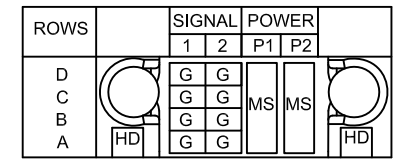


REV.	SPECIFICATION	ECN NO.	APPD.
R1		ECN200319	

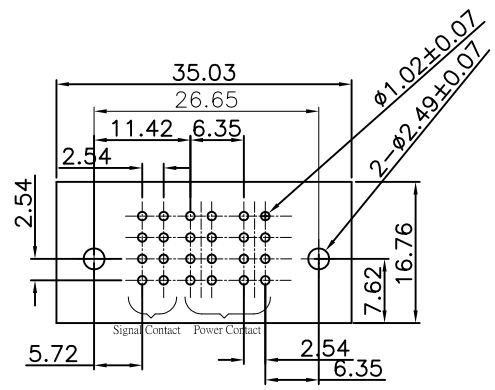
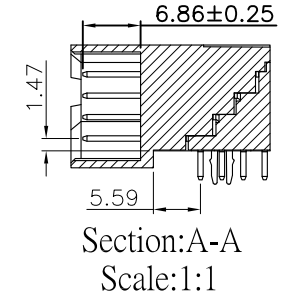
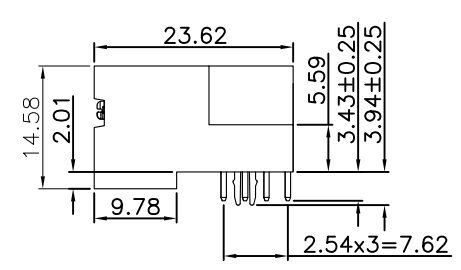
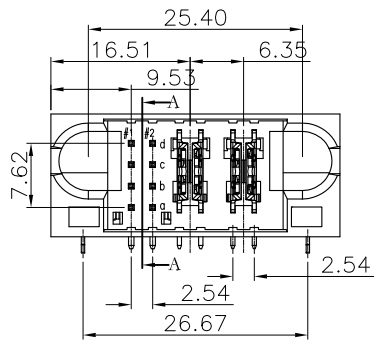
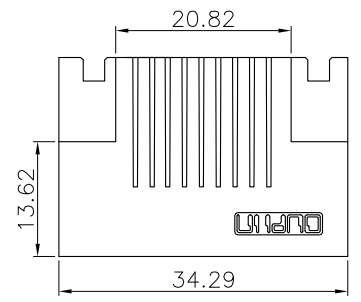
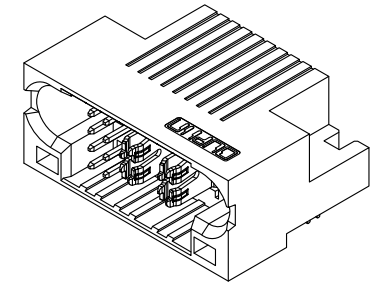
Material and Plating:
Housing: LCP, UL94V-0, Black.
Power Contacts: High Conductivity Copper.
 30u" Au+Pd/Ni on Contact Area and 80u" Min Tin Plated on Solder Tail over 50u" Min Nickel.
Signal Contacts: Brass.
 30u" Au+Pd/Ni on Contact Area and 80u" Min Tin Plated on Solder Tail over 50u" Min Nickel.
Lock: Phosphor Bronze.

Electrical Characteristics:
Current Rating: Signal Pin 2.5 AMP.
 Power Pin 30 AMP.
Dielectric Withstanding Voltage:
 Signal Pin DC 1000V For 1 minute.
 Power Pin DC 2500V For 1 minute.
Insulator Resistance: Signal Pin 5000MΩ min. at DC 500V.
 Power Pin 20000MΩ min. at DC 500V.
Contact Resistance: Signal Pin 15mΩ max. at DC 20mA.
 Power Pin 0.7mΩ max. at DC 20mA.
Operating Temperature: -40°C ~ +105°C.

***RoHS Compliant**
 Notes 1 :
 H: High density Power---PCB Mount 5.08mm Pitch
 P: DC Power---PCB Mount 6.35mm Pitch
 A: AC Power---PCB Mount 7.62mm Pitch
 S: Signal---PCB Mount 2.54mm Pitch



SIGNAL PIN CONTACT LENGTH 4.32mm	H
SIGNAL PIN CONTACT LENGTH 5.59mm	E
SIGNAL PIN CONTACT LENGTH 7.05mm	F
SIGNAL PIN CONTACT LENGTH 6.86mm	G
HOT PLUG POWER CONTACT.STD	MS



9391-A 1 S08 P02 CB 30 D L A
 Series: 1: Male Right-angle
 Blank: Without Contact
 Signal Contact: S_{xx}
 No. of position
 Blank: Without Contact
 Power Contact: H_{xx}, P_{xx}, A_{xx}
 No. of position
 A: Tray Package
 L: With Lock
 D: Dip Type
 30: 30u"
 CB: Dip Tin Plated
 Contact Au+Pd/Ni Plated

Tolerances	Dwg. No.	9391-D0000-251	Title:
x = ±0.5	Projection		9391 Series Male Right-angle Dip Type
.x = ±0.25	Unit	mm	
.xx = ±0.15	Scale	1:1	
	Drawn By	CXP 03/21'19	

OUPIN			
OUPIN ELECTRONIC(KUNSHAN) CO., LTD.			
P/N: 9391-A1S08P02CB30DLA			
SHEET	1/1	Ver. No.	R1