



SubLVDS Image Sensor Receiver IP Core - Lattice Radiant Software

User Guide

FPGA-IPUG-02093-1.5

June 2021

Disclaimers

Lattice makes no warranty, representation, or guarantee regarding the accuracy of information contained in this document or the suitability of its products for any particular purpose. All information herein is provided AS IS and with all faults, and all risk associated with such information is entirely with Buyer. Buyer shall not rely on any data and performance specifications or parameters provided herein. Products sold by Lattice have been subject to limited testing and it is the Buyer's responsibility to independently determine the suitability of any products and to test and verify the same. No Lattice products should be used in conjunction with mission- or safety-critical or any other application in which the failure of Lattice's product could create a situation where personal injury, death, severe property or environmental damage may occur. The information provided in this document is proprietary to Lattice Semiconductor, and Lattice reserves the right to make any changes to the information in this document or to any products at any time without notice.

Contents

Acronyms in This Document.....	5
1. Introduction.....	6
1.1. Quick Facts	6
1.2. Features	6
1.3. Conventions	7
1.3.1. Nomenclature	7
1.3.2. Signal Names.....	7
1.3.3. Attribute Names	7
2. Functional Descriptions	8
2.1. Overview	8
2.2. Signal Description.....	9
2.3. Attribute Summary.....	10
2.4. Modules Description	12
2.4.1. Clock, Reset and Initialization	12
2.4.2. SubLVDS Image Sensor Receiver IP Core Submodules	13
2.5. Timing Specifications.....	16
2.6. Sample Configurations	18
3. IP Generation and Evaluation	19
3.1. Licensing the IP.....	19
3.2. Generation and Synthesis	19
3.3. Running Functional Simulation	21
3.4. Hardware Evaluation.....	22
4. Ordering Part Number.....	23
Appendix A. Resource Utilization	24
References.....	25
Technical Support Assistance	26
Revision History	27

Figures

Figure 2.1. SubLVDS Image Sensor Receiver IP Core Top Level Block Diagram	8
Figure 2.2. Clock Domain Crossing Block Diagram.....	12
Figure 2.3. SubLVDS Image Sensor Receiver IP Core Detailed Block Diagram.....	13
Figure 2.4. Deserializer of 1:8 Gearing Block Diagram.....	14
Figure 2.5. Deserializer of 1:16 Gearing Block Diagram.....	14
Figure 2.6. SubLVDS Word Alignment Block Diagram.....	15
Figure 2.7. IMX Frame Block Diagram.....	15
Figure 2.8. SubLVDS Image Sensor Receiver IP Core Input Bus Waveform	16
Figure 2.9. SubLVDS Image Sensor Receiver Output Concept Waveform when Word Count == 0 and Dropped Pixel Count ==0.....	18
Figure 2.10. SubLVDS Image Sensor Receiver Output Concept Waveform when Word Count == 0 and Dropped Pixel Count ==2.....	18
Figure 2.11. SubLVDS Image Sensor Receiver Output Concept Waveform when Word Count == 10 and Dropped Pixel Count ==0.....	18
Figure 2.12. SubLVDS Image Sensor Receiver Output Concept Waveform when Word Count == 10 and Dropped Pixel Count ==2.....	18
Figure 3.1. Module/IP Block Wizard	19
Figure 3.2. Configure Block of SubLVDS Image Sensor Receiver IP Core	20
Figure 3.3. Check Generated Result.....	20
Figure 3.4. Simulation Wizard.....	21
Figure 3.5. Adding and Reordering Source	22
Figure 3.6. Simulation Waveform	22

Tables

Table 1.1. SubLVDS Image Sensor Receiver IP Core Quick Facts	6
Table 2.1. SubLVDS Image Sensor Receiver IP Core Signal Description.....	9
Table 2.2. Attributes Table	10
Table 2.3. Attributes Description.....	11
Table 2.4. Clock Domain Crossing.....	12
Table 2.5. Indicator States	15
Table 2.6. Sync Code Details	17
Table 3.1. Generated File List	21
Table A.1. Device and Tool Tested.....	24
Table A.2. SubLVDS-RX Resource Utilization	24

Acronyms in This Document

A list of acronyms used in this document.

Acronym	Definition
LSE	Lattice Synthesis Engine
RX	Receive

1. Introduction

The Lattice Semiconductor SubLVDS Image Sensor Receiver IP Core converts double data rate interface to pixel clock domain. The subLVDS interface is primarily used in image sensors. It has one clock pair and more than one data pairs. The number of data pairs varies, depending on bandwidth requirement.

Compared to LVDS interface, SubLVDS:

- Has lower common mode that is 0.9 V, while the common mode for LVDS is 1.25 V. SubLVDS is typically powered by 1.8 V supply, while LVDS uses 2.5 V supply.
- Has lower differential swing that is ± 150 mV, while the differential swing for LVDS is ± 175 mV.
- Is a source synchronous interface, the clock pair is running at the same rate as the data. This is not a 7:1 interface.
- Clock is center-aligned with the data.

1.1. Quick Facts

Table 1.1 provides quick facts about the SubLVDS Image Sensor Receiver IP Core.

Table 1.1. SubLVDS Image Sensor Receiver IP Core Quick Facts

IP Requirements	Supported FPGA Families	CrossLink™-NX, Certus™-NX, CertusPro™-NX
Resource Utilization	Targeted Devices	LIFCL-40, LIFCL-17, LFD2NX-40, LFD2NX-17, LFPCNX-100
	Supported User Interface	Native interface; see the Signal Description section
	Resources	See Table A.1
Design Tool Support	Lattice Implementation	IP Core v1.x.x - Lattice Radiant Software 2.1 or later
	Synthesis	Lattice Synthesis Engine
		Synopsys® Synplify Pro® for Lattice
Simulation	For the list of supported simulators, see the Lattice Radiant Software User Guide.	

1.2. Features

The key features of the SubLVDS Image Sensor Receiver IP Core include:

- 1 channel
- Supports 4, 6, 8, or 10 data lanes from an image sensor
- Supports 10-bit (RAW10) or 12-bit (RAW12) pixel widths
- Supports gearing of 8 and 16. Gearing 16 option is only for 4-lane configuration
- Can generate XVS and XHS for image sensors operating in Slave mode

The IP Core, however, does not support configuration through registers.

1.3. Conventions

1.3.1. Nomenclature

The nomenclature used in this document is based on Verilog HDL. This includes radix indications and logical operators. The most significant bit within the pixel data is the highest index.

1.3.2. Signal Names

Signal names that end with:

- *_n* are active low
- *_i* are input signals
- *_o* are output signals
- *_io* are bi-directional signals

1.3.3. Attribute Names

Attribute names in this document are formatted in title case and italicized (*Attribute Name*).

2. Functional Descriptions

2.1. Overview

The SubLVDS Image Sensor Receiver IP Core converts double data rate interface into pixel clock domain. The input interface of the design consists of a data bus and a clock in subLVDS interface format. The output interface consists of a 10-bit or 12-bit multi-pixel data, frame valid, line valid, data valid and a pixel clock with a gearing of 1:8 or 1:16.

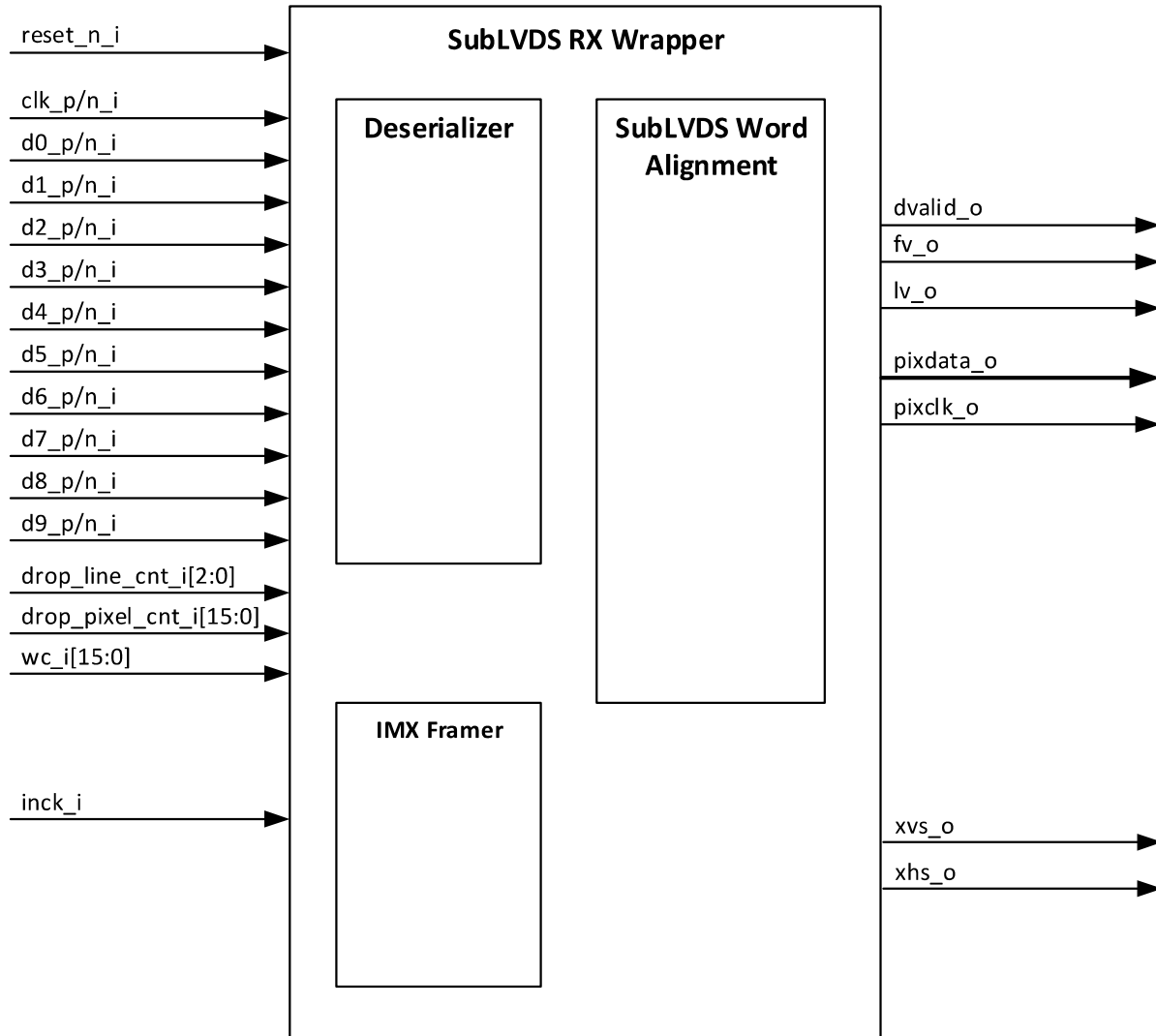


Figure 2.1. SubLVDS Image Sensor Receiver IP Core Top Level Block Diagram

2.2. Signal Description

Table 2.1 lists top-level input and output signals and their descriptions for the SubLVDS Image Sensor Receiver IP Core.

Table 2.1. SubLVDS Image Sensor Receiver IP Core Signal Description

Port Name	I/O	Width	Description
reset_n_i	In	1	System active low asynchronous reset
inck_i	In	1	IMX Framer input clock. This clock is shared with the Sony Image Sensor.
clk_p_i	In	1	Positive subLVDS input clock to subLVDS RX
clk_n_i	In	1	Negative subLVDS input clock to subLVDS RX
d0_p_i	In	1	Positive subLVDS input data lane 0 to subLVDS RX
d0_n_i	In	1	Negative subLVDS input data lane 0 to subLVDS RX, complement of d0_p_i
d1_p_i	In	1	Positive subLVDS input data lane 1 to subLVDS RX
d1_n_i	In	1	Negative subLVDS input data lane 1 to subLVDS RX, complement of d1_p_i
d2_p_i	In	1	Positive subLVDS input data lane 2 to subLVDS RX
d2_n_i	In	1	Negative subLVDS input data lane 2 to subLVDS RX, complement of d2_p_i
d3_p_i	In	1	Positive subLVDS input data lane 3 to subLVDS RX
d3_n_i	In	1	Negative subLVDS input data lane 3 to subLVDS RX, complement of d3_p_i
d4_p_i	In	1	Positive subLVDS input data lane 4 to subLVDS RX
d4_n_i	In	1	Negative subLVDS input data lane 4 to subLVDS RX, complement of d4_p_i
d5_p_i	In	1	Positive subLVDS input data lane 5 to subLVDS RX
d5_n_i	In	1	Negative subLVDS input data lane 5 to subLVDS RX, complement of d5_p_i
d6_p_i	In	1	Positive subLVDS input data lane 6 to subLVDS RX
d6_n_i	In	1	Negative subLVDS input data lane 6 to subLVDS RX, complement of d6_p_i
d7_p_i	In	1	Positive subLVDS input data lane 7 to subLVDS RX
d7_n_i	In	1	Negative subLVDS input data lane 7 to subLVDS RX, complement of d7_p_i
d8_p_i	In	1	Positive subLVDS input data lane 8 to subLVDS RX
d8_n_i	In	1	Negative subLVDS input data lane 8 to subLVDS RX, complement of d8_p_i
d9_p_i	In	1	Positive subLVDS input data lane 9 to subLVDS RX
d9_n_i	In	1	Negative subLVDS input data lane 9 to subLVDS RX, complement of d9_p_i
drop_line_cnt_i	In	3	Number of dropped lines
drop_pixel_cnt_i	In	16	Number of dropped pixels
wc_i	In	16	Word count
dvalid_o	Out	1	Data valid detection signal, indicates valid pixel data
fv_o	Out	1	Frame valid detection signal, indicates valid frame
lv_o	Out	1	Line valid detection signal, indicates a valid line
pixclk_o	Out	1	Pixel clock generated from the CLKDIV
pixdata_o	Out	BUS_WIDTH H*LANE_WIDTH	Pixel data coming from parser module. Multi-pixel data bus.
xvs_o	Out	1	Sony slave readout vertical control signal
xhs_o	Out	1	Sony slave readout horizontal control signal

Note: BUS_WIDTH depends on *Data Type*. When *Data Type* == RAW10, if *RX Gear* == 8, BUS_WIDTH == 10 else BUS_WIDTH == 20. When *Data Type* == RAW12, if *RX Gear* == 8, BUS_WIDTH == 12 else BUS_WIDTH == 24. LANE_WIDTH is equal to *Number of RX Lanes*.

2.3. Attribute Summary

Table 2.2 lists the parameters used to generate the SubLVDS Image Sensor Receiver IP Core. Table 2.3 describes each attribute.

Table 2.2. Attributes Table

Attribute	Selectable Values	Default	Dependency on Other Attributes
General			
Receiver			
Number of RX Lanes	4, 6, 8, 10	4	—
RX Gear	8, 16	8	—
Clock			
RX Line Rate	160 – 1500	160	<i>Number of RX Lanes, RX Gear</i>
SubLVDS Clock Frequency (MHz)	Calculated	80	<i>RX Line Rate/2</i>
Pixel Clock Frequency (MHz)	Calculated	20	<i>Pixel Clock Frequency = 2*(SubLVDS Clock Frequency/RX Gear)</i>
Data			
Dropped Line Mode	Static, Dynamic	Dynamic	—
Dropped Line Count	0 – 7	0	<i>Dropped Line Mode == Static</i>
Dropped Pixel Mode	Static, Dynamic	Dynamic	—
Dropped Pixel Count	0 – 65535	0	<i>Dropped Pixel Mode == Static</i>
Word Count Mode	Static, Dynamic, Off	Dynamic	—
Word Count	0 – 65535	0	<i>Word Count Mode == Static</i>
Video			
Video Packet			
Data Type	RAW10, RAW12	RAW10	—
IMX Framer Settings			
Image Sensor Mode	Master, Slave	Master	—
V_TOTAL	2 - 4095	10	<i>Image Sensor Mode == Slave</i>
H_TOTAL	0 - 4095	1285	<i>Image Sensor Mode == Slave</i>
V_H_BLANK	0 - 4095	2	<i>Image Sensor Mode == Slave</i>

Table 2.3. Attributes Description

Attribute	Description
General	
Receiver	
Number of RX Lanes	Generates subLVDS I/O
RX Gear	Specifies the RX gearing. Only the 4-lane configuration has the option to choose between <i>RX Gear == 8</i> or <i>RX Gear == 16</i> .
Clock	
RX Line Rate	Target <i>RX Line Rate</i> per lane
	1500 Mbps maximum line rate is supported in Jedi-D1 Flip-chip packages only. For non-flip-chip package, maximum line rate is 1250 Mbps.
SubLVDS Clock Frequency (MHz)	SubLVDS clock Automatically computed based on target <i>RX Line Rate</i> .
Pixel Clock Frequency (MHz)	Pixel clock Automatically computed based on target <i>RX Line Rate</i> .
Data	
Dropped Line Mode	Allows you to choose between <i>Static</i> (predetermined values for the number of dropped lines) and <i>Dynamic</i> (user determines values via an added port) Modes.
Dropped Line Count	Determines the number of lines to be dropped at the start of the frame.
Dropped Pixel Mode	Allows user to choose between <i>Static</i> (predetermined values for the number of dropped pixels) and <i>Dynamic</i> (user determines values via an additional port) Modes
Dropped Pixel Count	Crops the number of pixels after SAV (the OPB and OPB ignore pixels). Refer to the Sony IMX sensor specification for information on these pixels. The input value should be equal to desired number of pixels to drop / <i>Number of RX Lanes</i> . For example, to drop 8 pixels when <i>Number of RX Lanes == 4</i> , the input to <i>Dropped Pixel Count</i> should be 2.
Word Count Mode	Allows you to choose between <i>Static</i> (predetermined values for the word count), <i>Dynamic</i> (user determines values via an additional port) and <i>Off</i> (logic not used) Modes.
Word Count	Number of active video pixels per line after the dropped pixels (when <i>Dropped Pixel Count > 0</i>). Reducing this effectively drops the OPB ignore bits right before the EAV. Kindly refer to the Sony IMX sensor specification for information on these pixels. If <i>Word Count == 0</i> and <i>Dropped Pixel Count == 0</i> , the total number of pixels coming out of the design is the total number of active pixels sent by sensor + EAV pixels. The input value should be equal to desired total number of pixels / <i>Number of RX Lanes</i> . For example, if the desired total number of pixels is 40 and <i>Number of RX Lane == 4</i> , <i>Word Count</i> should be 10.
Video	
Video Packet	
Data Type	Selects desired data type
IMX Framer Settings	
Image Sensor Mode	Sets the mode of the image sensor. In slave mode, it enables the IMX framer.
V_TOTAL	Sets the number of lines XVS is driven high. Only available when <i>Image Sensor Mode == Slave</i> .
H_TOTAL	Sets the number of INCK clocks XHS is driven high. Only available when <i>Image Sensor Mode == Slave</i> .
V_H_BLANK	Sets the number of INCK clocks XVS and XHS is driven low. Only available when <i>Image Sensor Mode == Slave</i> .

2.4. Modules Description

2.4.1. Clock, Reset and Initialization

Active low reset is used in the design with synchronous release. Resets for each clock domain are synchronized to their respective clock domains.

The system reset, `reset_n_i`, is synchronized to the pixel clock domain and it serves as a reset source for the SubLVDS Word Alignment module.

No special reset sequence is required in this IP.

The RX clock input, `clk_p_i`, is from an external source (image sensor) and should be connected to a dedicated SubLVDS edge clock pin. The Deserializer block generates a pixel clock, `pixclk_o`, with a gearing of 1:8 or 1:16 for the pixel data.

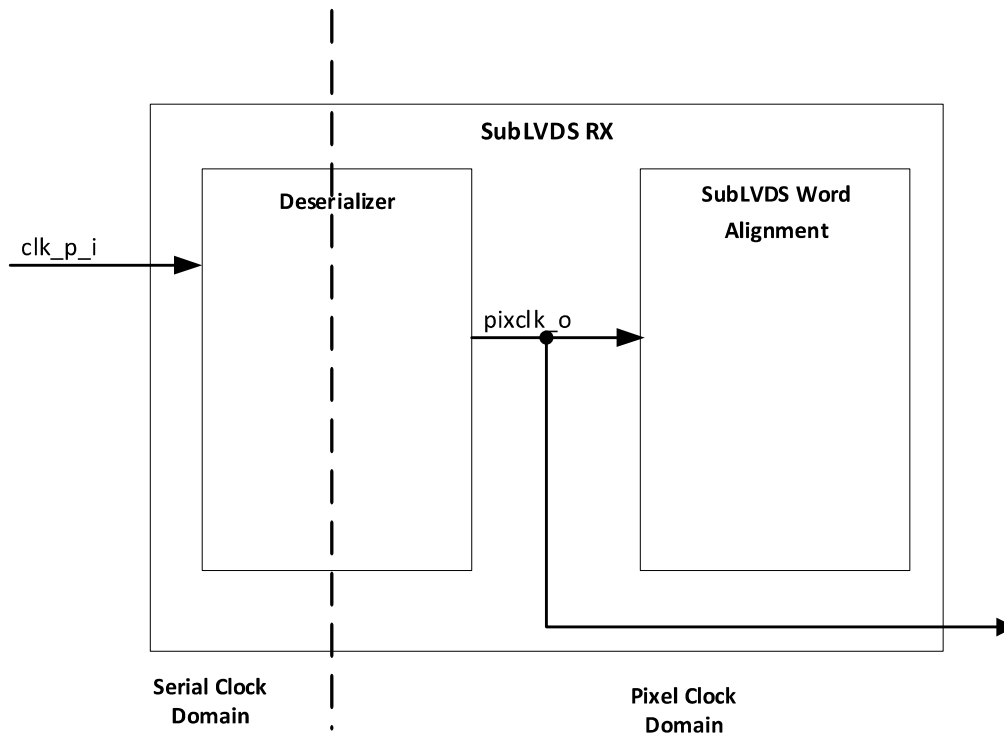


Figure 2.2. Clock Domain Crossing Block Diagram

Table 2.4. Clock Domain Crossing

Clock Domain Crossing	Handling Approach
SubLVDS Serial Clock to Pixel Clock	1:8/1:16 gearbox DDR Hard IP

The general formula for computing the required clocks of the system:

$RX\ Line\ Rate\ (total) = total\ pixels\ (active + blanking) * frame\ rate * bits\ per\ pixel$

$RX\ Line\ Rate\ (per\ lane) = RX\ Line\ Rate\ (total) / Number\ of\ RX\ lanes$

$RX\ input\ clock = RX\ Line\ Rate\ (per\ lane) / 2$

$Pixel\ clock = RX\ input\ clock / RX\ Gear$

Note: gearing = 4 if 1:8 gearing; 8 if 1:16 gearing

2.4.2. SubLVDS Image Sensor Receiver IP Core Submodules

Figure 2.3 shows the detailed block diagram of SubLVDS Image Sensor Receiver IP Core.

The Deserializer block converts each double data rate lane (d*_p_i signals) to a single data rate 8-bit or 16-bit at a slower operating speed within a system.

The word alignment module receives the 8-bit (1:8 gearing) or 16-bit (1:16 gearing) deserialized data (deser_q_o signal) and converts it to 10-bit or 12-bit pixel data according to the set configuration of data type (RAW10 or RAW12). The output of the module is a multi-pixel bus (pixdata_o), pixel clock (pixclk_o), a dvalid_o, fv_o, and lv_o control signals.

The IMX Framer module is used for Image Sensors that operate in the Slave mode only.

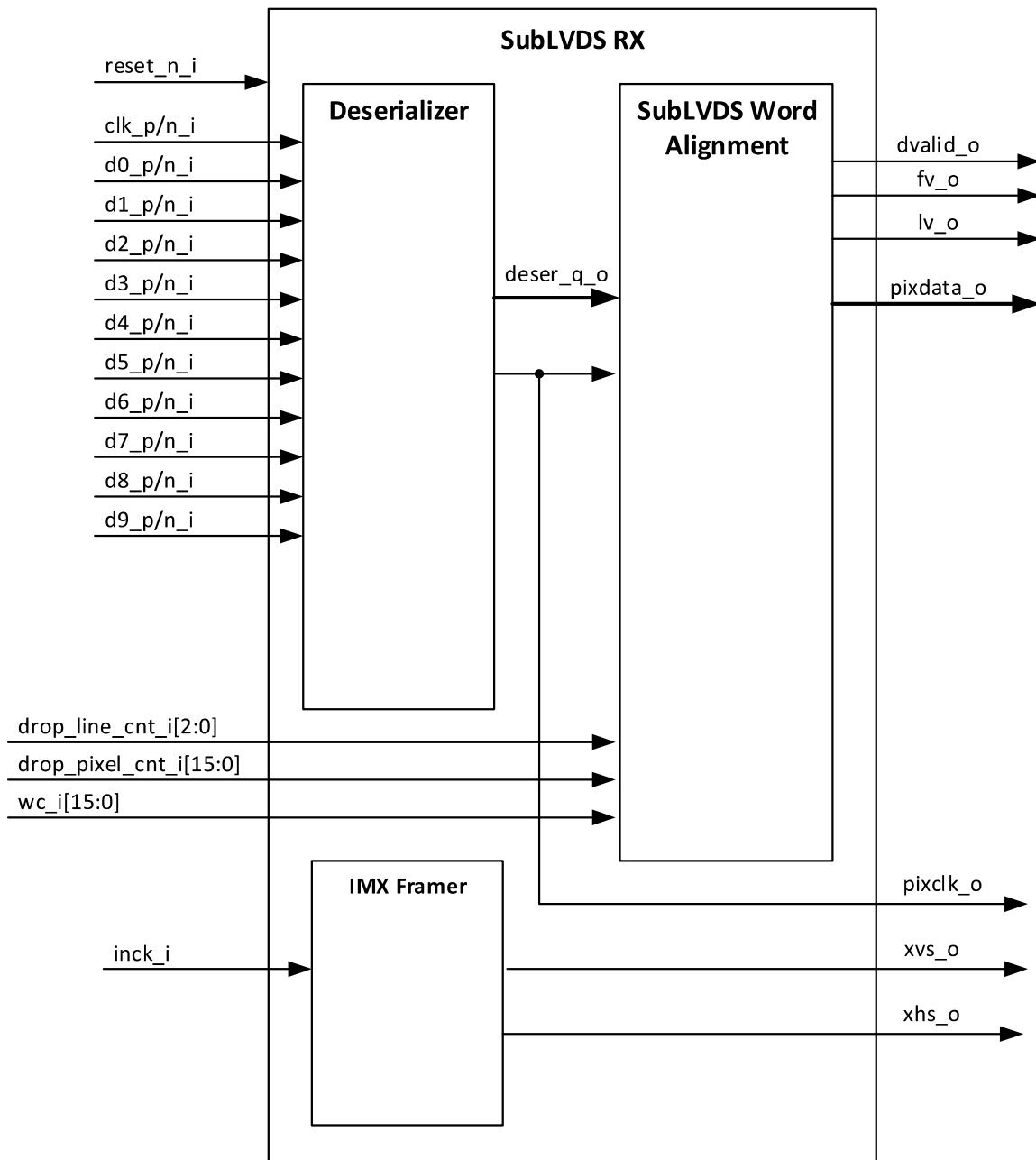


Figure 2.3. SubLVDS Image Sensor Receiver IP Core Detailed Block Diagram

Figure 2.4 shows the detailed block diagram of Deserializer block when LANE_WIDTH = 4 for the 1:8 gearing case. The number of IDDR components is determined by the parameter LANE_WIDTH.

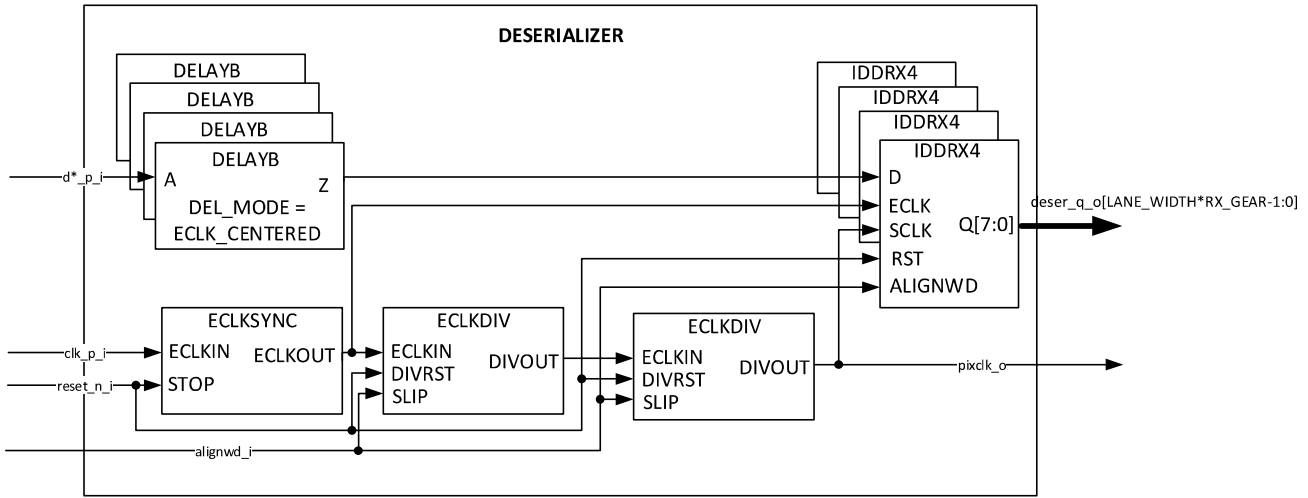


Figure 2.4. Deserializer of 1:8 Gearing Block Diagram

Figure 2.5 shows a detailed block diagram of Deserializer block when LANE_WIDTH = 4 for the 1:16 gearing case. FIFO module is used to get to 1:16 gearing.

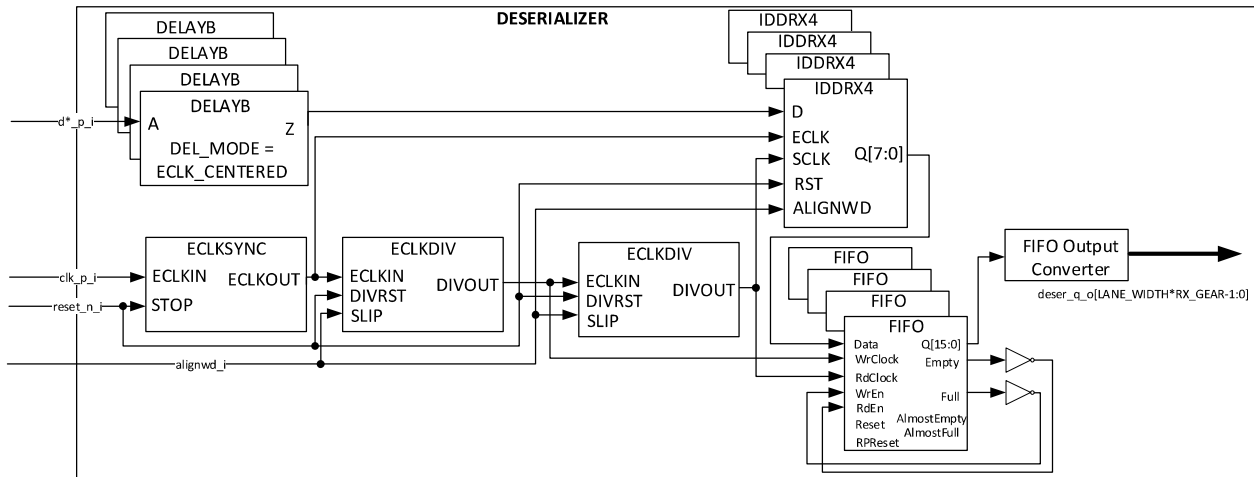


Figure 2.5. Deserializer of 1:16 Gearing Block Diagram

To avoid additional clock resource, GDDR_SYNC is not used in this module.

Alignment of clock and data is ensured in the subLVDS word alignment module. Figure 2.6 shows the detailed block diagram of SubLVDS Word Alignment block when LANE_WIDTH = 4. The number of word_aligner instances is determined by the parameter LANE_WIDTH. Sync codes are embedded in each serial data lane by the Sony Image Sensor. The word aligner block detects these sync codes and aligns the deserialized data to a 10-bit or 12-bit pixel data. The 10-bit or 12-bit data are fed to the parser block. It checks the recognition (sync) codes from the beginning (SAV) and the end (EAV) of each packet if they are part of an active video line or not. The fv_o goes high at the beginning of an active video frame, and low at the end of the frame. Similarly, the lv_o goes active high or low at the beginning or end of an active video line, respectively. The dvalid_o control signal goes active high on clock cycles that have valid pixel data.

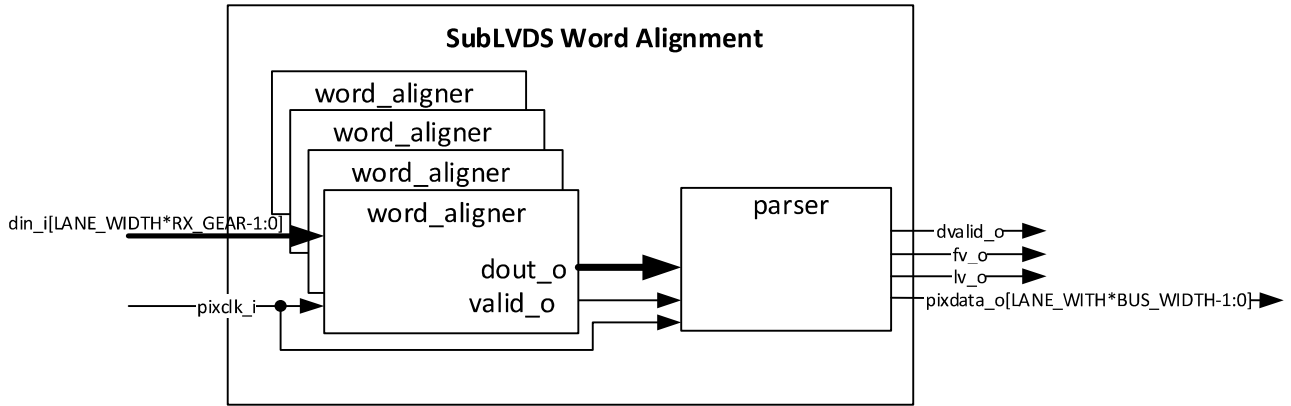


Figure 2.6. SubLVDS Word Alignment Block Diagram

Table 2.5. Indicator States

Sync Code	fv State	lv State
SAV (valid line)	1	1
EAV (valid line)	1	0
SAV (invalid line)	0	0
EAV (invalid line)	0	0

The IMX Framer module is for Sony Image Sensors that operate in Slave mode. It provides a control mechanism for the rate at which each line and frame is read out. Timing of these two signals is defined in the Sony Image Sensor datasheet.

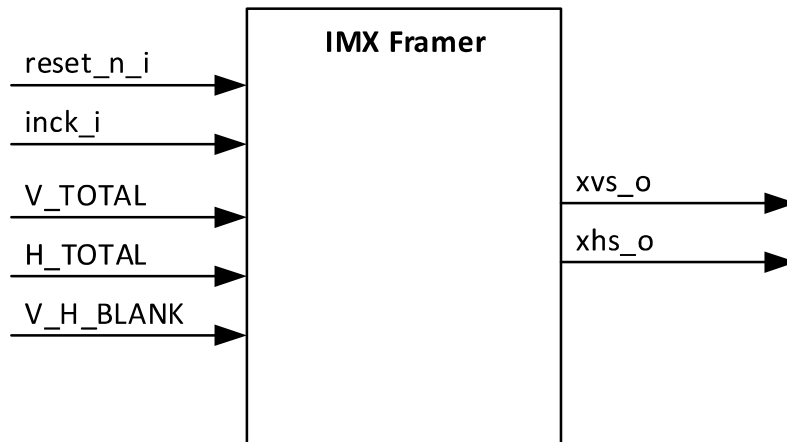


Figure 2.7. IMX Frame Block Diagram

2.5. Timing Specifications

Figure 2.8 shows the timing of SubLVDS Image Sensor Receiver IP Core input interface. It shows the sync signal and data output timing during 10-bit length serial received from the image sensor.

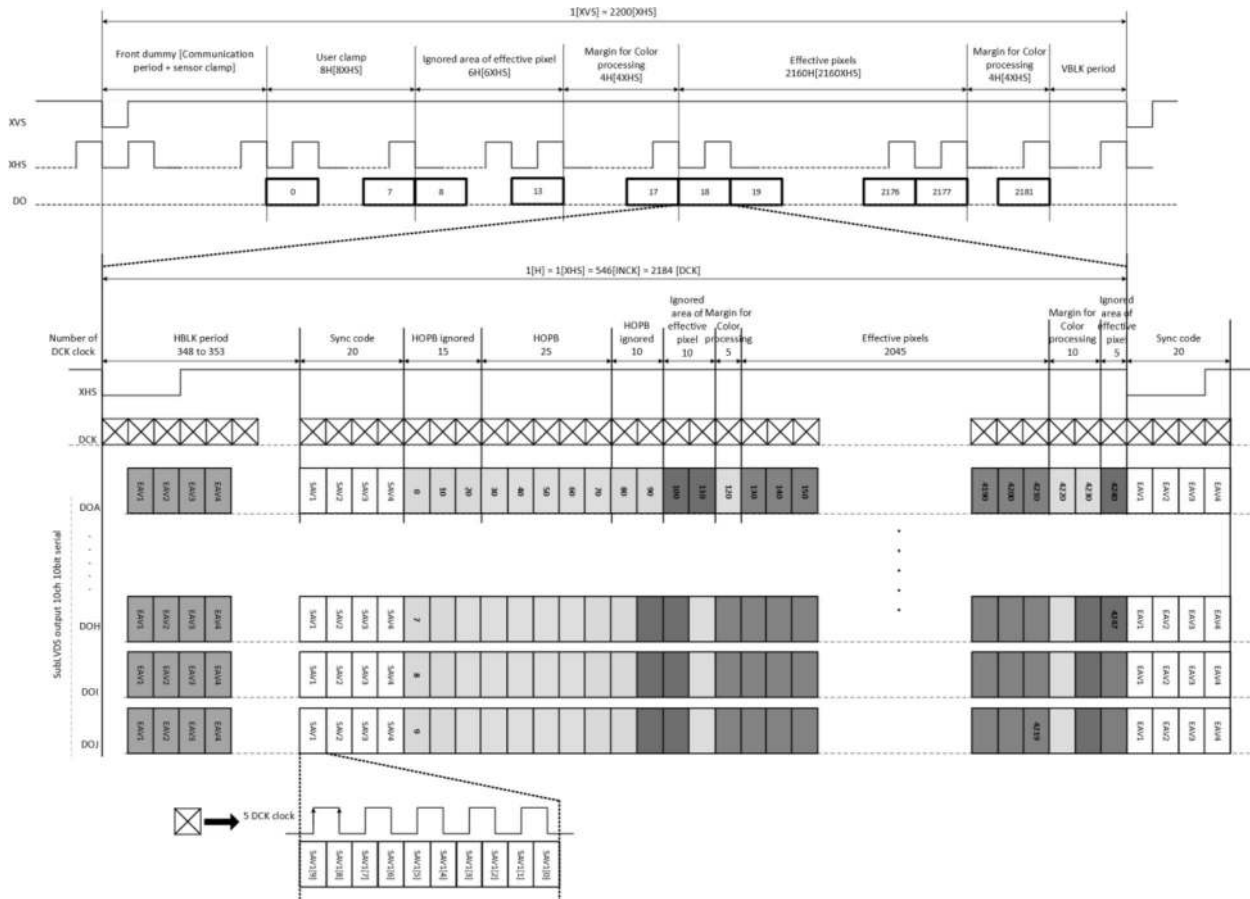


Figure 2.8. SubLVDS Image Sensor Receiver IP Core Input Bus Waveform

The horizontal and vertical timing of the received data are controlled by the XVS and XHS sync signals. The sync code is added before and after the pixel data. Table 2.6 lists the sync code details.

Table 2.6. Sync Code Details

LVDS Output Bit No.		Sync code			
12-bit Output	10-bit Output	1st Word	2nd Word	3rd Word	4th Word
11	9	1	0	0	1
10	8	1	0	0	0
91	7	1	0	0	V
82	6	1	0	0	H
73	5	1	0	0	P3
63	4	1	0	0	P2
53	3	1	0	0	P1
43	2	1	0	0	P0
3	1	1	0	0	0
2	0	1	0	0	0
1	—	1	0	0	0
0	—	1	0	0	0

		Protection Bits			
V	H	P3	P2	P1	P0
0	0	0	0	0	0
0	1	1	1	0	1
1	0	1	0	1	1
1	1	0	1	1	0

Notes:

- 1: Blanking line; 0: Except blanking line
- 1: End sync code; 2: Start sync code
- Protection bits

2.6. Sample Configurations

Waveforms below show the output behavior with different *Word Count* and *Dropped Pixel Count* but having same *Number of Rx Lanes* == 4, *Data Type* == RAW10 and number of pixels sent by sensor is 40 pixels.

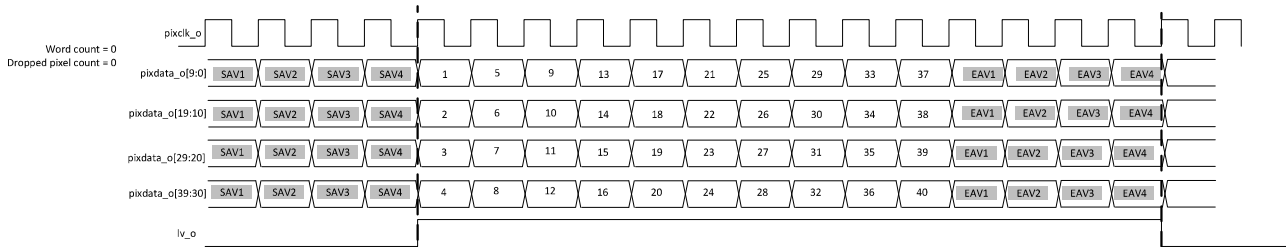


Figure 2.9. SubLVDS Image Sensor Receiver Output Concept Waveform when Word Count == 0 and Dropped Pixel Count == 0

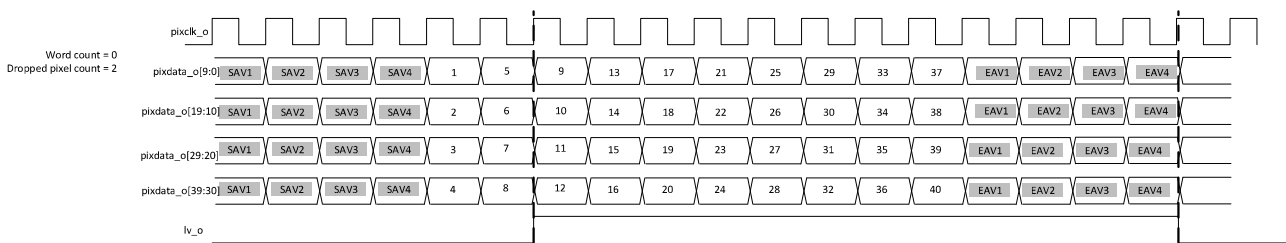


Figure 2.10. SubLVDS Image Sensor Receiver Output Concept Waveform when Word Count == 0 and Dropped Pixel Count == 2

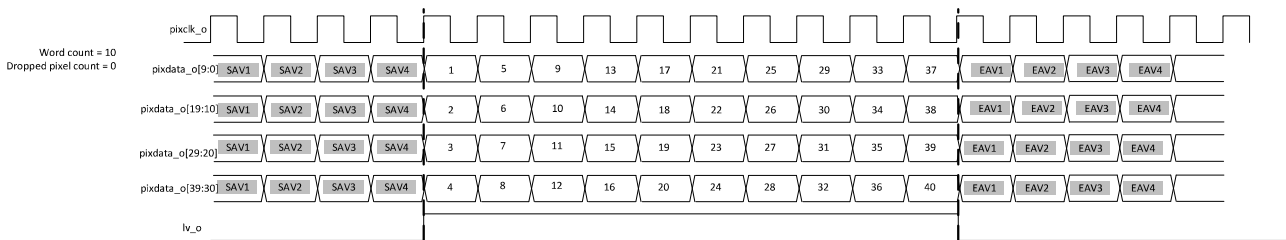


Figure 2.11. SubLVDS Image Sensor Receiver Output Concept Waveform when Word Count == 10 and Dropped Pixel Count == 0

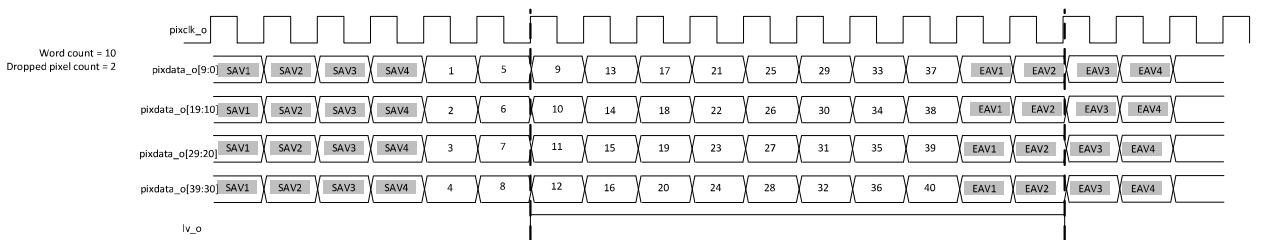


Figure 2.12. SubLVDS Image Sensor Receiver Output Concept Waveform when Word Count == 10 and Dropped Pixel Count == 2

3. IP Generation and Evaluation

This section provides information on how to generate the SubLVDS Image Sensor Receiver IP Core using the Lattice Radiant software and how to run simulation and synthesis. For more details on the Radiant software, refer to the Lattice Radiant Software User Guide.

3.1. Licensing the IP

An IP core-specific license string is required to enable full use of the SubLVDS Image Sensor Receiver IP Core in a complete, top-level design. You can fully evaluate the IP core through functional simulation and implementation (synthesis, map, place and route) without an IP license string. This IP Core supports Lattice’s IP hardware evaluation capability, which makes it possible to create versions of the IP core, which operate in hardware for a limited time (approximately four hours) without requiring an IP license string. See [Hardware Evaluation](#) section for further details. However, a license string is required to enable timing simulation and to generate bitstream file that does not include the hardware evaluation timeout limitation.

3.2. Generation and Synthesis

The Lattice Radiant software allows you to generate and customize modules and IPs and integrate them into the device’s architecture. The procedure for generating SubLVDS Image Sensor Receiver IP Core in Lattice Radiant software is described below.

To generate the SubLVDS Image Sensor Receiver IP Core:

1. Create a new Lattice Radiant software project or open an existing project.
2. In the **IP Catalog** tab, double-click on **SubLVDS_Image_Sensor_Receiver** under **IP, Audio_Video_Image_Processing** category. The **Module/IP Block Wizard** opens as shown in [Figure 3.1](#). Enter values in the **Instance name** and the **Create in** fields and click **Next**.

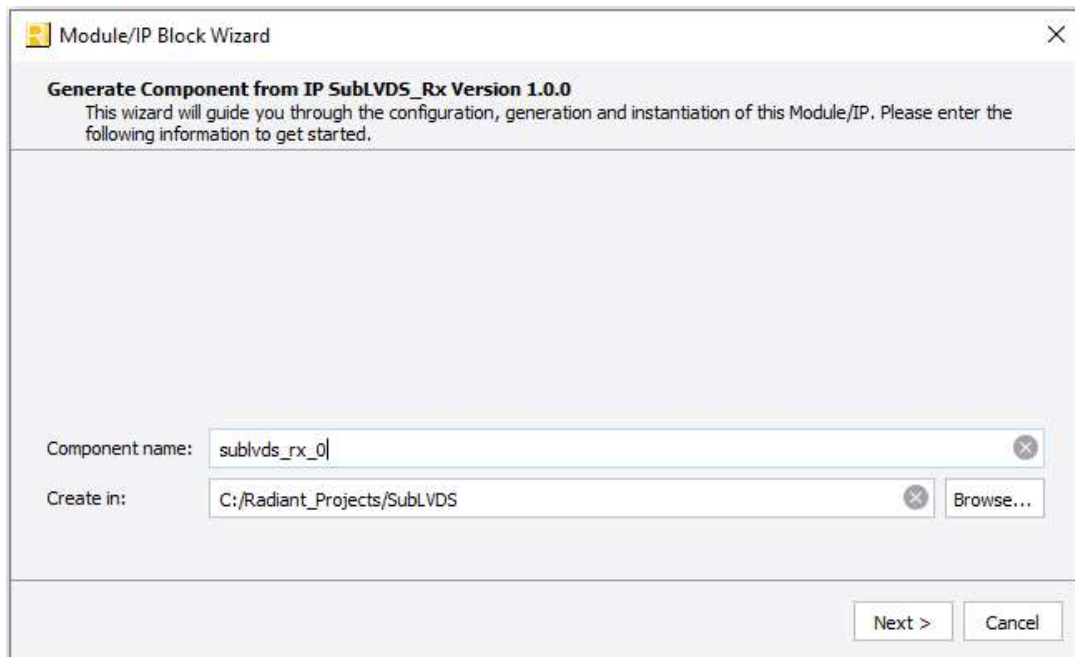


Figure 3.1. Module/IP Block Wizard

3. In the modules dialog box of the **Module/IP Block Wizard** window, customize the SubLVDS Image Sensor Receiver IP Core according to custom specifications, using drop-down menus and check boxes. As a sample configuration, see [Figure 3.2](#). For configuration options, see the [Attribute Summary](#) section.

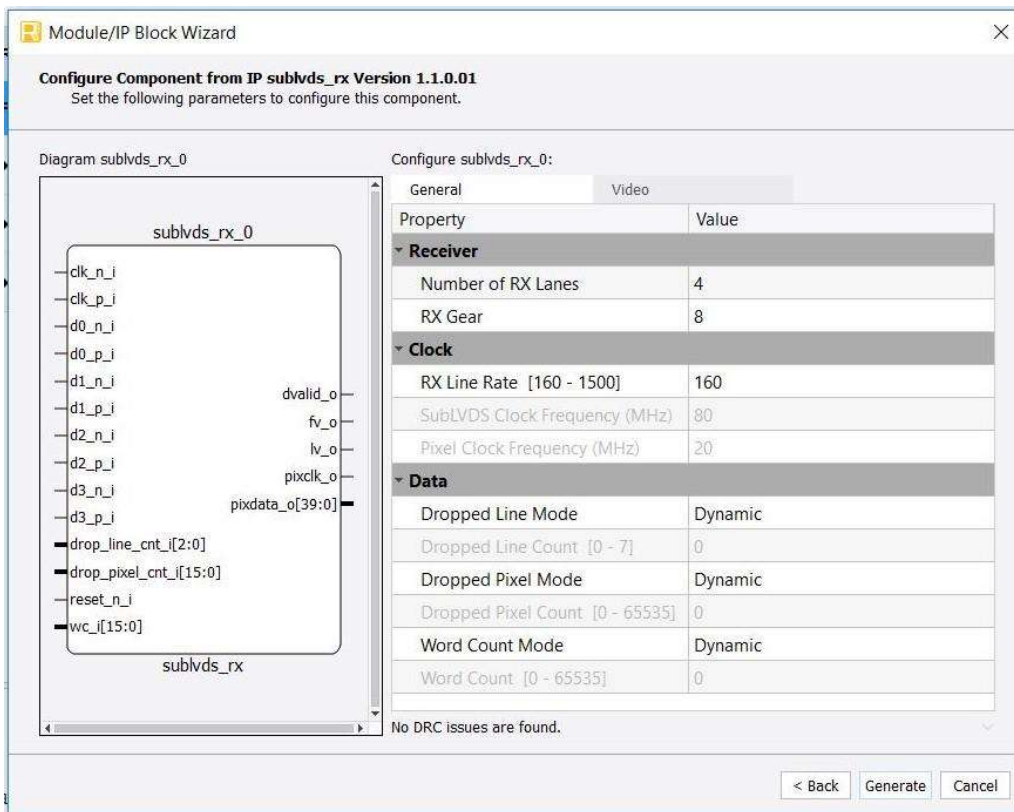


Figure 3.2. Configure Block of SubLVDS Image Sensor Receiver IP Core

4. Click **Generate**. The **Check Generated Result** dialog box opens, showing design block messages and results as shown in Figure 3.3.

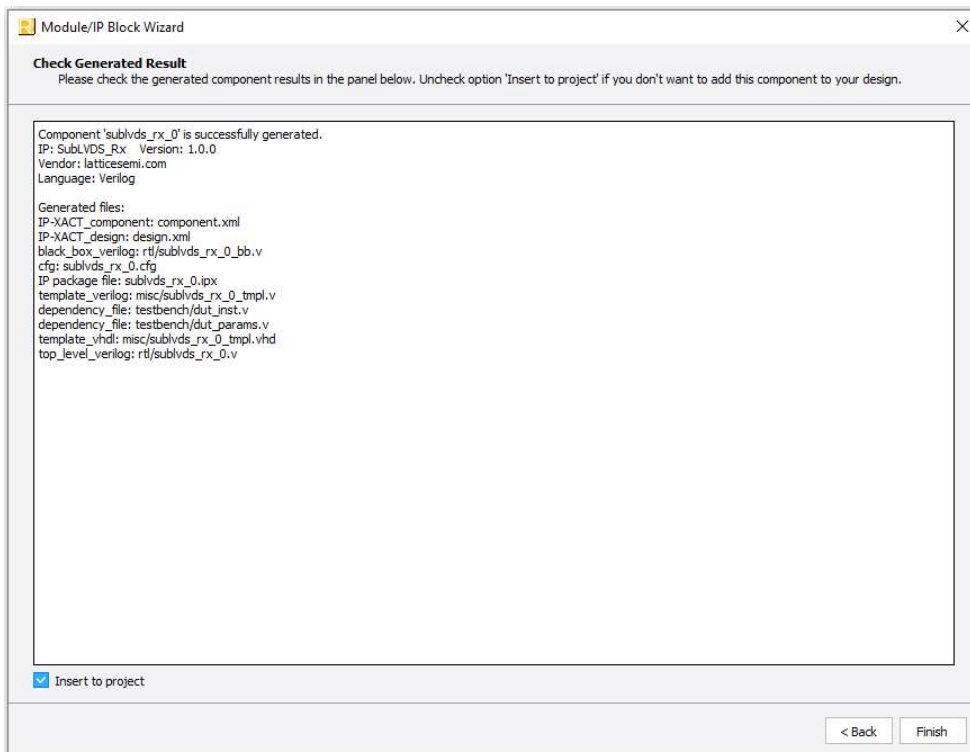


Figure 3.3. Check Generated Result

- Click the **Finish** button. All the generated files are placed under the directory paths in the **Create in** and the **Instance name** fields shown in [Figure 3.1](#).


The generated SubLVDS Image Sensor Receiver IP Core package includes the black box (<Instance Name>_bb.v) and instance templates (<Instance Name>_tmpl.v/vhd) that can be used to instantiate the core in a top-level design. An example RTL top-level reference source file (<Instance Name>.v) that can be used as an instantiation template for the IP core is also provided. You may also use this top-level reference as the starting template for the top-level for their complete design. The generated files are listed in [Table 3.1](#).

Table 3.1. Generated File List

Attribute	Description
<Instance Name>.ipx	This file contains the information on the files associated to the generated IP.
<Instance Name>.cfg	This file contains the parameter values used in IP configuration.
component.xml	Contains the ipxact:component information of the IP.
design.xml	Documents the configuration parameters of the IP in IP-XACT 2014 format.
rtl/<Instance Name>.v	This file provides an example RTL top file that instantiates the IP core.
rtl/<Instance Name>_bb.v	This file provides the synthesis black box.
misc/<Instance Name>_tmpl.v misc /<Instance Name>_tmpl.vhd	These files provide instance templates for the IP core.

3.3. Running Functional Simulation

Running functional simulation can be performed after the IP is generated. The following steps can be performed.

- Click the  button located on the **Toolbar** to initiate the **Simulation Wizard** shown in [Figure 3.4](#).

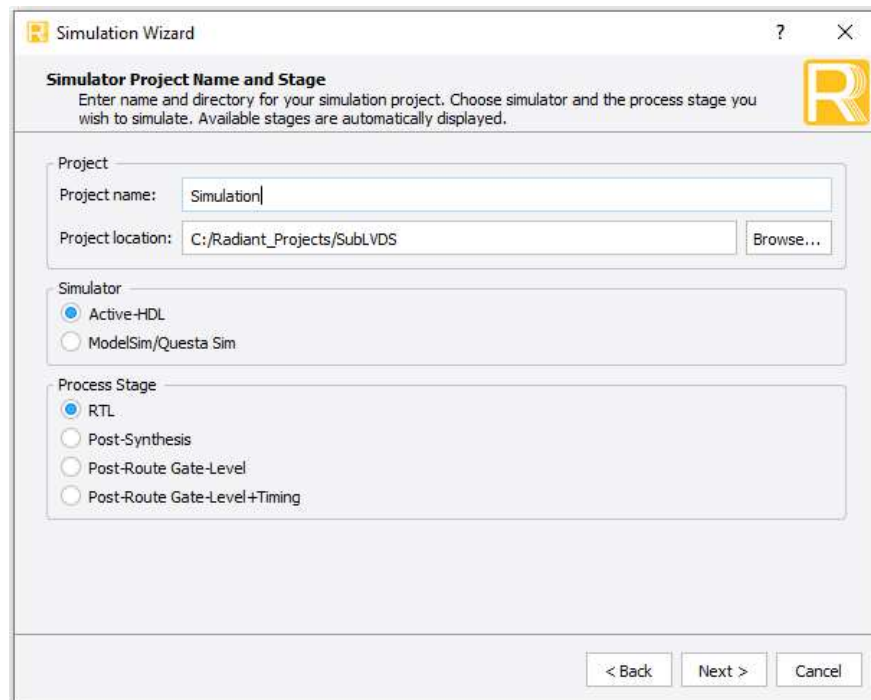


Figure 3.4. Simulation Wizard

- Click **Next** to open the **Add and Reorder Source** window as shown [Figure 3.5](#).

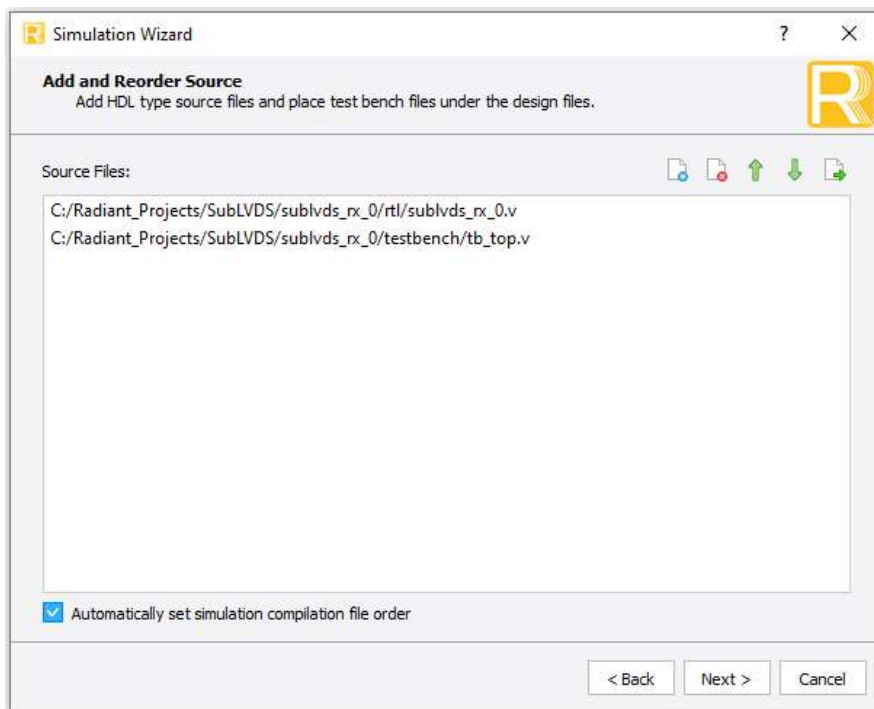


Figure 3.5. Adding and Reordering Source

- Click **Next**. The Summary window is shown. Click **Finish** to run the simulation.

Note: It is necessary to follow the procedure above until it is fully automated in the Lattice Radiant software suite. The results of the simulation in our example are provided in [Figure 3.6](#).

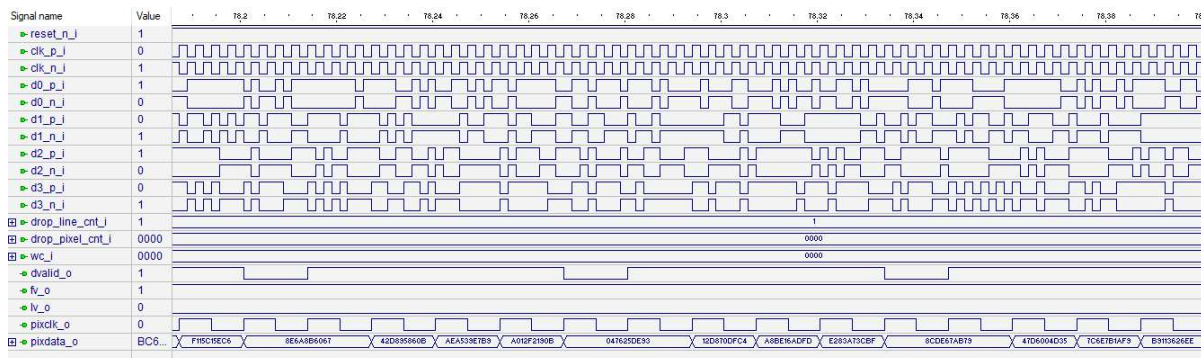


Figure 3.6. Simulation Waveform

3.4. Hardware Evaluation

The SubLVDS Image Sensor Receiver IP Core supports Lattice’s IP hardware evaluation capability when used with Lattice FPGA devices built on the Lattice Nexus™ platform. This makes it possible to create versions of the IP core that operate in hardware for a limited period of time (approximately four hours) without requiring the purchase of an IP license. It may also be used to evaluate the core in hardware in user-defined designs. The hardware evaluation capability may be enabled/disabled in the Strategy dialog box. It is enabled by default. To change this setting, go to Project > Active Strategy > LSE/Synplify Pro Settings.

4. Ordering Part Number

The Ordering Part Number (OPN) for this IP Core are the following:

- LVDS-RX-CNX-U – Sub-LVDS Image Sensor Receiver for CrossLink-NX – Single Design License
- LVDS-RX-CNX-UT – Sub-LVDS Image Sensor Receiver for CrossLink-NX – Site License
- LVDS-RX-CTNX-U – Sub-LVDS Image Sensor Receiver for Certus-NX – Single Design License
- LVDS-RX-CTNX-UT – Sub-LVDS Image Sensor Receiver for Certus-NX – Site License
- LVDS-RX-CPNX-U - Sub-LVDS Image Sensor Receiver for CertusPro-NX - Single Design License
- LVDS-RX-CPNX-UT - Sub-LVDS Image Sensor Receiver for CertusPro-NX - Site License

Appendix A. Resource Utilization

Table A.1. Device and Tool Tested

	Value
Lattice Radiant Software Version	2.1 (for Windows)
Device Used	LIFCL-40-9BG400I
Performance Grade	9_High-Performance_1.0V
Synthesis Tool	Synplify Pro (R) Q-2020.03LR, Build 134R, May 8 2020
	Lattice Synthesis Engine (LSE)

Note: Some bits are clipped to accommodate the current configuration with the selected device.

Table A.2. SubLVDS-RX Resource Utilization

Number of RX Gears	RX Gear	Line Rate	Synthesis Tool	Register	LUTs	F _{max} *
4	8	160 Mbps	Synplify Pro	282	623	pixclk_o = 20 MHz clk_p_i = 20 MHz
			LSE	361	611	pixclk_o = 20 MHz clk_p_i = 20 MHz
10	8	625 Mbps	Synplify Pro	556	1116	pixclk_o = 78 MHz clk_p_i = 20 MHz
			LSE	829	1155	pixclk_o = 78 MHz clk_p_i = 20 MHz
4	16	160 Mbps	Synplify Pro	764	1698	pixclk_o = 10 MHz clk_p_i = 20 MHz
			LSE	1137	1673	pixclk_o = 10 MHz clk_p_i = 20 MHz
4	16	1250 Mbps	Synplify Pro	764	1698	pixclk_o = 78 MHz clk_p_i = 20 MHz
			LSE	1137	1673	pixclk_o = 78 MHz clk_p_i = 20 MHz

*Note: The Fmax provided here is shown to give affirmation to the user that that target frequency for a certain bitrate is attainable. While it is possible that the maximum frequency could be higher than the one described below, the IP is bounded to limit it in order to maintain the user's desired configuration.

References

- [CrossLink-NX FPGA web page at www.latticesemi.com](http://www.latticesemi.com)
- [Certus-NX FPGA web page at www.latticesemi.com](http://www.latticesemi.com)
- [CertusPro-NX FPGA web page at www.latticesemi.com](http://www.latticesemi.com)

Technical Support Assistance

Submit a technical support case through www.latticesemi.com/techsupport.

Revision History

Revision 1.5, June 2021

Section	Change Summary
Introduction	<ul style="list-style-type: none"> Updated Table 1.1. SubLVDS Image Sensor Receiver IP Core Quick Facts. <ul style="list-style-type: none"> Revised Supported FPGA Families Revised Targeted Devices Revised Lattice Implementation
IP Generation and Evaluation	<ul style="list-style-type: none"> In the Hardware Evaluation section, replaced specific device with <i>Lattice FPGA devices built on the Lattice Nexus platform</i>.
Ordering Part Number	Added part numbers.
References	Added reference to the CertusPro-NX web page.

Revision 1.4, December 2020

Section	Change Summary
Introduction	Updated Table 1.1. Modified Lattice Implementation details.
Functional Description	<ul style="list-style-type: none"> Updated RX Line Rate selectable values in Table 2.2. Attributes Table. Updated Line Rate information in Table 2.3. Attributes Description.
IP Generation and Evaluation	Updated Figure 3.2. Configure Block of SubLVDS Image Sensor Receiver IP Core.
References	Updated this section. Added references to product web pages.
All	Updated Lattice Radiant Software User Guide references.

Revision 1.3, June 2020

Section	Change Summary
All	Updated Lattice Radiant software user guide references to version 2.1 across the document.
Introduction	Added support for Certus-NX in Table 1.1.
Ordering Part Number	Updated this section.
Appendix A. Resource Utilization	Added this section.

Revision 1.2, April 2020

Section	Change Summary
Functional Description	Corrected maximum line rate in Table 2.2.

Revision 1.1, February 2020

Section	Change Summary
Introduction	<ul style="list-style-type: none"> Updated Table 1.1 to add LIFCL-17 as targeted device. Removed section 1.3.2. Data Ordering and Data Types
Functional Description	<ul style="list-style-type: none"> Added pixclk_o port and note to Table 2.1. Revised V_TOTAL values in Table 2.2. Changed column heading to Description and updated descriptions of Dropped Pixel Count and Word Count attributes in Table 2.3. Added Sample Configurations section.
IP Generation and Evaluation	Corrected interface item to <i>Check Generated Result</i> .
Appendix A.	Added table reference in introductory paragraph.

Revision 1.0, December 2019

Section	Change Summary
All	Initial release



www.latticesemi.com