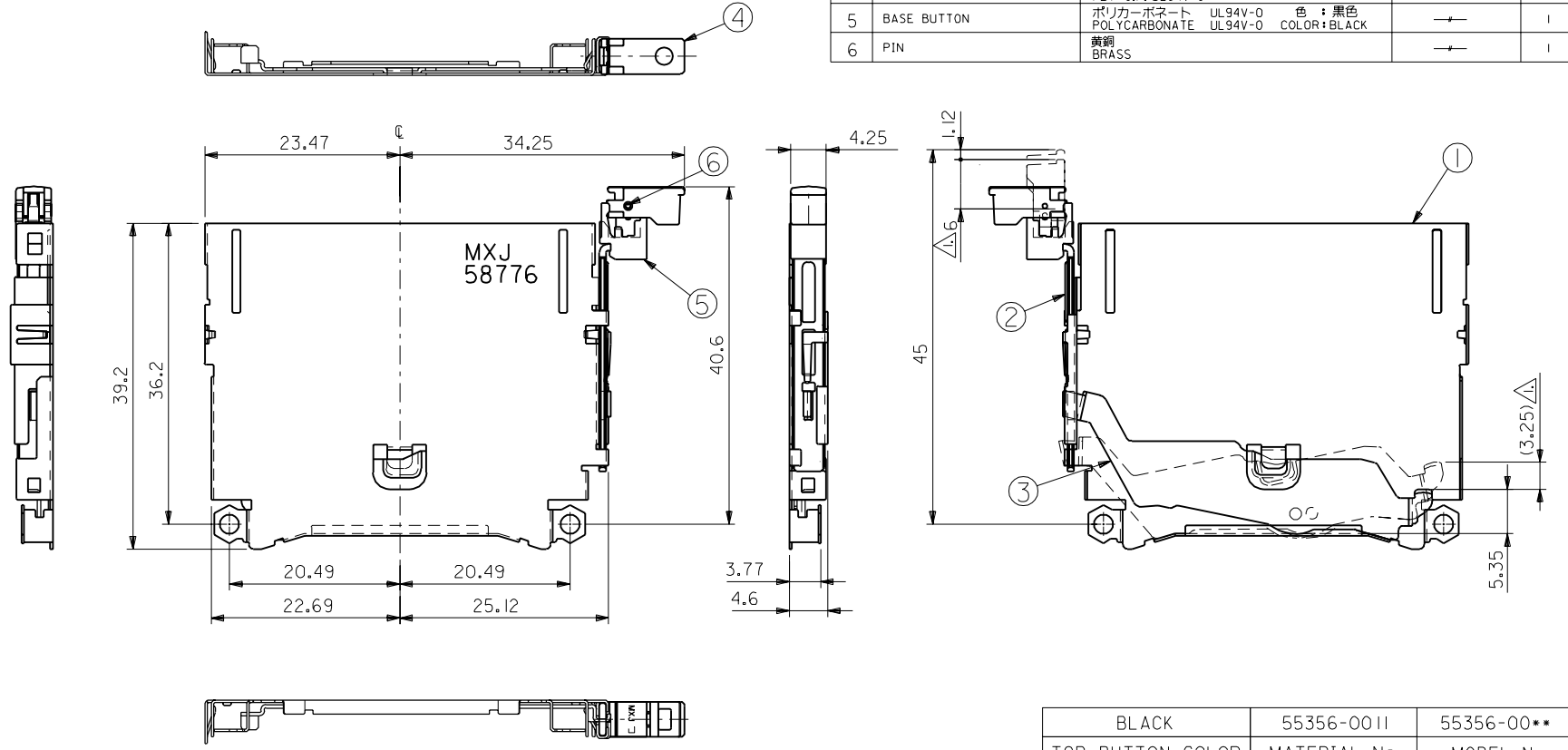


DWG. NO. SD-55356-002

No.	品名 NAME	材料 MATERIAL	仕上げ FINISH	個数 PIECE
1	METAL SHELL	ステンレス鋼 t0.3 STAINLESS STEEL t0.3	—	1
2	ROD	ステンレス鋼 t0.8 STAINLESS STEEL t0.8	—	1
3	LEVER	ステンレス鋼 t0.4 STAINLESS STEEL t0.4	—	1
4	TOP BUTTON	ガラス入りポリエステル UL94V-0 PBT G.F. UL94V-0	—	1
5	BASE BUTTON	ポリカーボネート UL94V-0 色 : 黒色 POLYCARBONATE UL94V-0 COLOR:BLACK	—	1
6	PIN	黄銅 BRASS	—	1



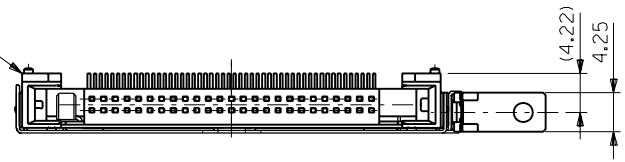
BLACK	55356-0011	55356-00**
TOP BUTTON COLOR	MATERIAL No.	MODEL No.

EC NO.		EC NO.		EC NO.		REVISED		RELEASED		MATERIAL		GENERAL TOLERANCES:		SCALE		DESIGN UNITS		THIRD ANGLE		DIMENSIONS:		SHT		REV	
DRWN:	CHK:	DRWN:	CHK:	DRWN:	CHK:	DRWN:	CHK:	DRWN:	CHK:	材料	(UNLESS SPECIFIED)	2-1	<input checked="" type="checkbox"/> mm	<input type="checkbox"/> INCH	<input checked="" type="checkbox"/> mm	<input type="checkbox"/> INCH	<input checked="" type="checkbox"/> mm	<input type="checkbox"/> mm ONLY	<input type="checkbox"/> mm	<input type="checkbox"/> INCH	<input checked="" type="checkbox"/> mm	<input type="checkbox"/> mm ONLY	REVISE ON	CAD ONLY	
APPR:		APPR:		APPR:		APPR:		APPR:		SEE CHART	一般公差	10 UNDER	+0.2	DRAWN BY & DATE	TITLE:		CF CARD CONN. EJECT MECHANISM		MATERIAL NO.		DRAWING NO.		SHEET NO.		
										FINISH	10 OVER	+0.25	<i>M. Tanaka</i>	'98/08/18	METAL SHELL ASS'Y		SEE CHART		SD-55356-002		1 OF 2		SIZE		
										在 上 付	30 UNDER	+0.3	<i>H. Saito</i>	'98/08/18	(FOR LEFT SIDE BUTTON)		MOLEX INCORPORATED		55356002.S01		1 OF 2		B		
										DESCRIPTION	30 OVER	+3°	APPROVED BY & DATE		MATERIAL NO.		DRAWING NO.		SD-55356-002		1 OF 2		B		
										通 用 面 積 影 射	ANGLE	角度	<i>H. Saito</i>	'98/08/18	SEE CHART		SD-55356-002		55356002.S01		1 OF 2		B		
										INS. RANGE			CAD FILENAME		MATERIAL NO.		DRAWING NO.		SD-55356-002		1 OF 2		B		
										被 覆 外 径			THIS DRAWING CONTAINS INFORMATION THAT IS PROPRIETARY TO MOLEX INCORPORATED AND SHOULD NOT BE USED WITHOUT WRITTEN PERMISSION.		SEE CHART		SD-55356-002		55356002.S01		1 OF 2		B		

DO NOT SCALE DRAWING

DWG. NO. SD-55356-002

△ HDR ASS'Y
55341-5010
(55340-5010)

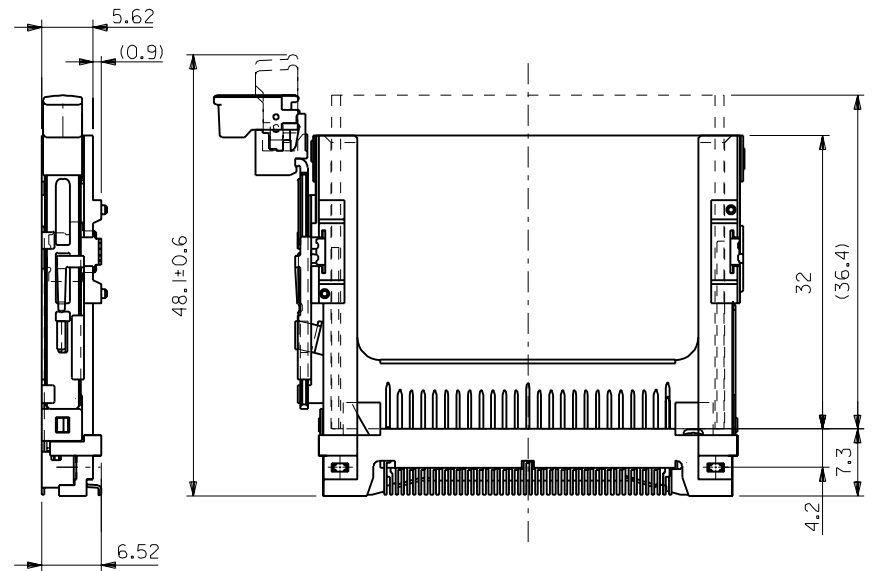
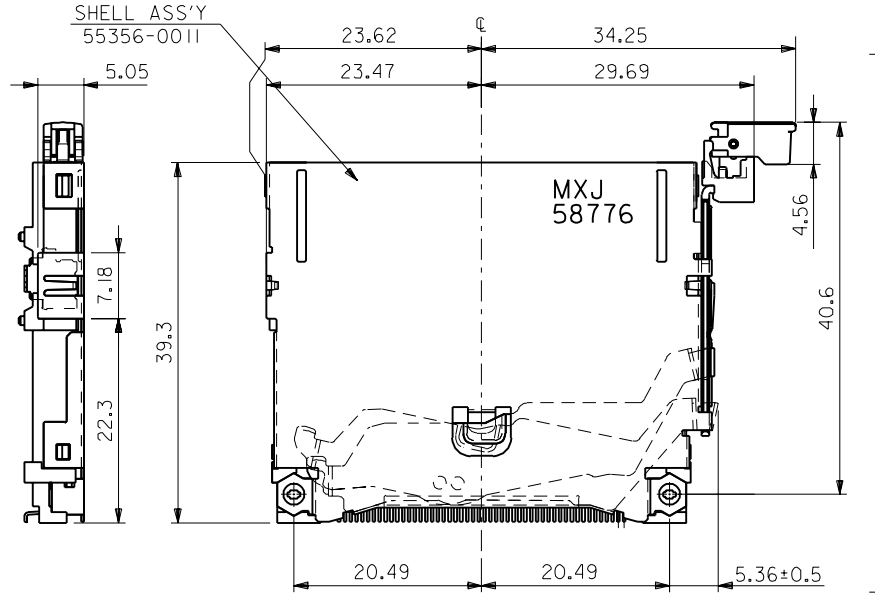


REFERENCE USE ONLY

注)
NOTES

- △1 ボタンストロークが 6mm の時、カード飛び出し量は (3.25mm)。
WHEN BUTTON PUSH STROKE IS 6mm, CARD OUT BY (3.25mm).
- 2. 適合 HEADER ASS'Y : 55340-5010(REVERSE), 55341-5010(NORMAL)
APPLICABLE HEADER ASS'Y : 55340-5010(REVERSE), 55341-5010(NORMAL)
- △3 SD-55341-003 (SD-55340-003) 参照
SEE SD-55341-003 (SD-55340-003)

SHELL ASS'Y
55356-0011



DO NOT SCALE DRAWING

EC NO. DRWN: CHK: APPR:	EC NO. DRWN: CHK: APPR:	EC NO. DRWN: CHK: APPR:	EC NO. DRWN: CHK: APPR:	A	0	DESCRIPTION	MATERIAL 材料	FINISH 仕上り	WIRE RANGE 適用線径範囲	INS. RANGE 被覆外径

GENERAL TOLERANCES: (UNLESS SPECIFIED) 一般公差		SCALE 2 - 1	DESIGN UNITS <input checked="" type="checkbox"/> mm <input type="checkbox"/> INCH	DIMENSIONS: <input type="checkbox"/> mm <input type="checkbox"/> INCH <input checked="" type="checkbox"/> mm ONLY	SHT REV
10 UNDER 未満	+0.2				REVISE ON CAD ONLY
10 OVER 以上	+0.25				
30 UNDER 未満					
30 OVER 以上	+0.3				
ANGLE 角度	+3°				

DRAWN BY & DATE <i>M. Yanaka</i> '98/08/18		THIRD ANGLE PROJECTION		TITLE: CF CARD CONN. EJECT MECHANISM METAL SHELL ASS'Y (FOR LEFT SIDE BUTTON)	
CHECKED BY & DATE <i>H. Saito</i> '98/08/18		APPROVED BY & DATE <i>H. Saito</i> '98/08/18		MATERIAL NO. SEE SHEET 1 OF 2	
CAD FILENAME 55356002.S02		DRAWING NO. SD-55356-002		SHEET NO. 2	
THIS DRAWING CONTAINS INFORMATION THAT IS PROPRIETARY TO MOLEX INCORPORATED AND SHOULD NOT BE USED WITHOUT WRITTEN PERMISSION.					
					SIZE B