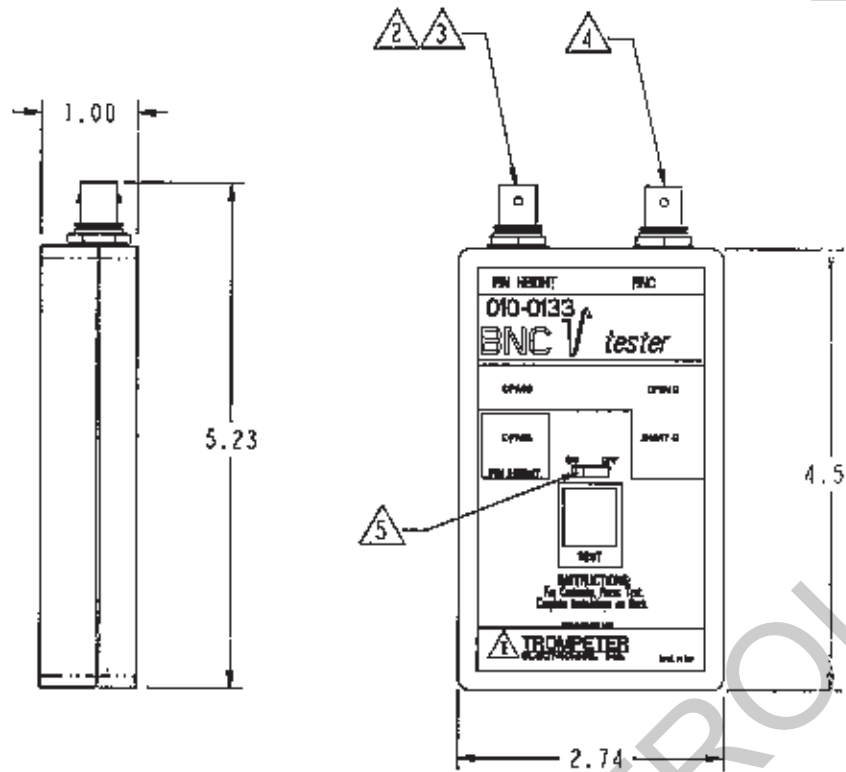
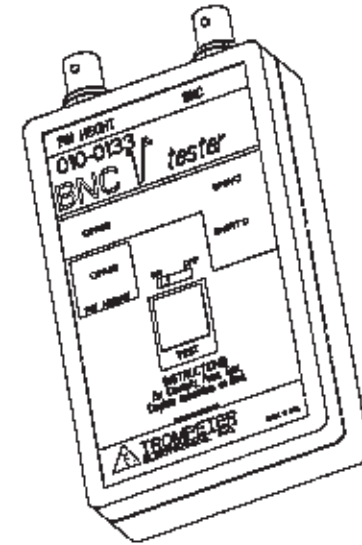


DATA CONTAINED IN THIS DOCUMENT IS PROPRIETARY TO TROMPETER ELECTRONICS INC. AND SHALL NOT BE DISCLOSED, COPIED OR USED FOR PROCUREMENT OR MANUFACTURE WITHOUT EXPRESS WRITTEN PERMISSION.

REVISIONS			DATE	APPROVED
REV	DESCRIPTIONS			
F	REVISED PER ECO 15600		8-19-04	WJ



RED INDICATES ORIGINAL



- △5 TO PRESERVE BATTERY, SWITCH TO OFF POSITION WHEN NOT IN USE
- △4 USE 105-1885 ADAPTER FOR TESTING MINI-WECO CONNECTOR
- △3 USE 010-0133-101 GO/NO-GO GAGE TO ASSURE PROPER CALIBRATION OF PIN HEIGHT TESTER
- △2 PIN HEIGHT TO INDICATE "PASS" WHEN CONTACT IS .034 (MIN) SET BACK BEHIND SPRING FINGER; "FAIL" WHEN CONTACT IS .039 (MAX) SET BACK BEHIND SPRING FINGER

1. TESTER FOR PROPER ASSEMBLY OF BNC COAXIAL PLUGS, WITH CAPABILITY OF DETECTING CENTER CONTACT PIN HEIGHT, CONTINUITY, AND SHORT OR OPEN CIRCUIT

NOTES: UNLESS OTHERWISE SPECIFIED.

EX: PREP DRAWING PER M21-STD-100. DIMENSIONS ARE IN INCHES AND INCLUDE FINISH DIMENSIONS UNLESS OTHERWISE SPECIFIED.		SOL: UNLESS SPECIFIED, .XX ± .06	
TRD TK 8-5-04	MATERIAL:	TITLE:	
QTY ADD 8-6-04	FINISH:	BNC TESTER (ELECTRICAL)	
QTY CPS 8-19-04	SIZE A 14949	CAGE CODE 14949	DRAWING NO. 010-0133
QTY SP 8-18-04	SCALE 1/1	DATE 12-17-97	REV. F
APPROVED WJ 8/16/04	PHOTO DATE USE 910-0133	DO NOT SCALE DWG	SHEET 1 OF 3

**TROMPETER**  
RF connectivity  
a cinch connectivity solutions brand