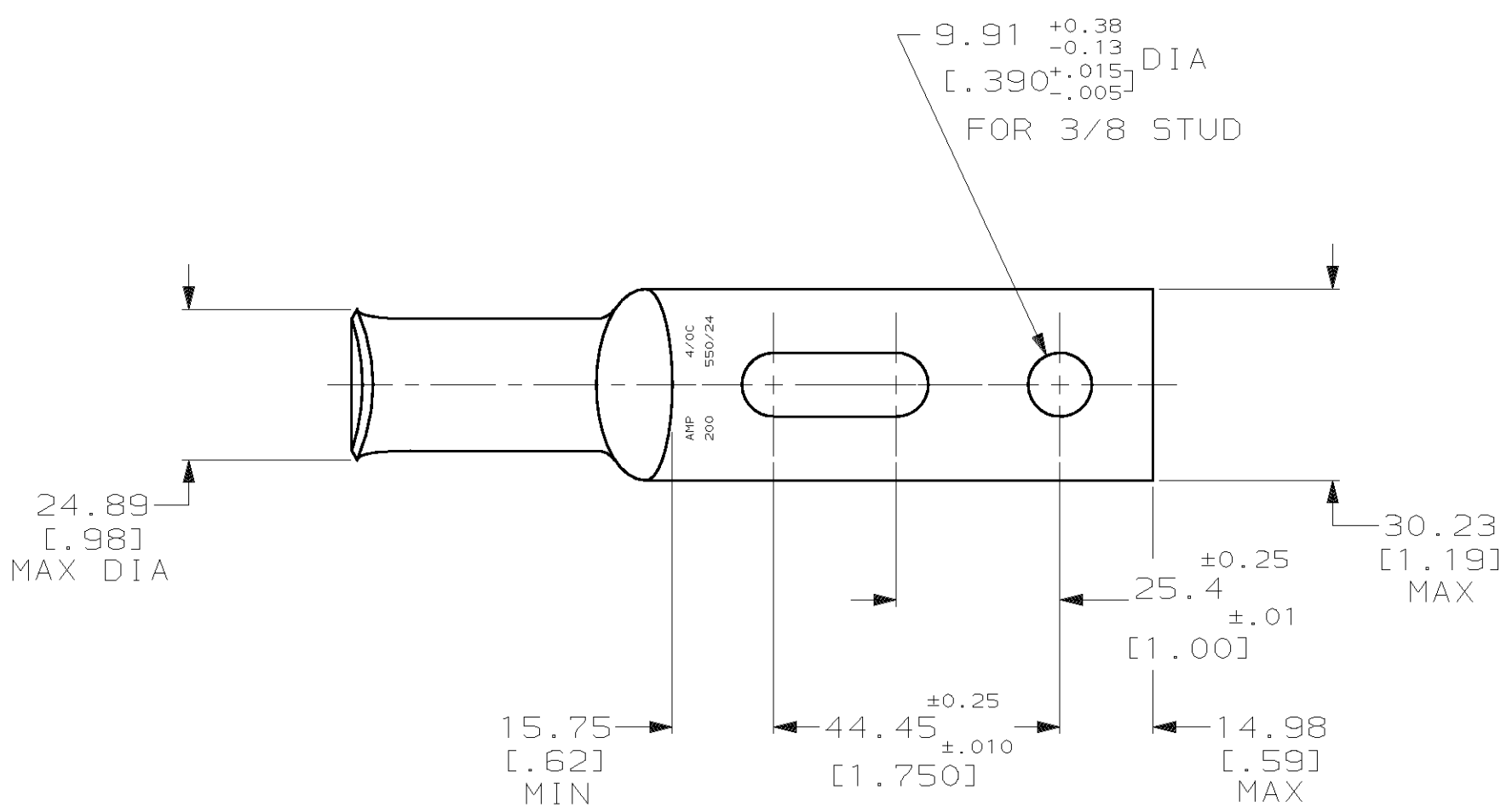
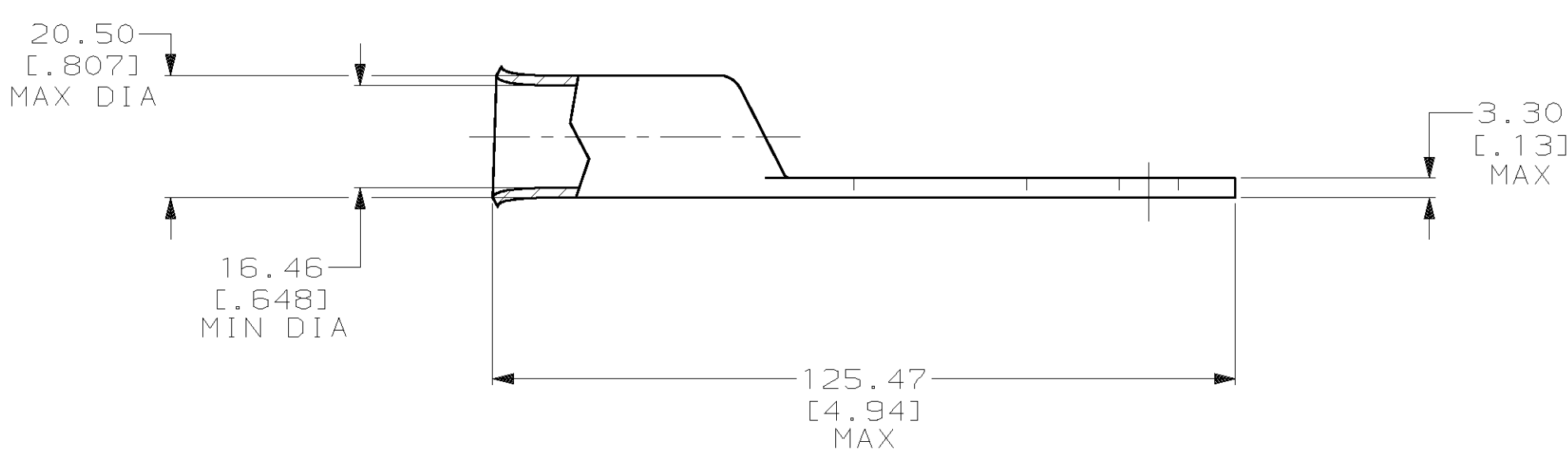


THIS DRAWING IS UNPUBLISHED. RELEASED FOR PUBLICATION ,19 .
 © COPYRIGHT 19 BY AMP INCORPORATED. ALL INTERNATIONAL RIGHTS RESERVED.

LOC		DIST		P		F		REVISIONS		
G	86					ZONE	LTR	DESCRIPTION	DATE	APPD
						A		REL PER 063A-0649-02	28OCT02	JR MS



1 CIRCULAR MIL RANGE: 190,000-231,000 CM



696460

696460-1

PART NO

DO NOT SCALE PRINT. UNLESS SPECIFIED DIMENSIONS IN mm [INCHES] TOLERANCES ON : 2 PLC DEC ± 0.51 [.020] 3 PLC DEC ± - ANGLES ± -	DR 07JUL02 JR RUTH	AMP Incorporated Harrisburg, PA 17105-3608
	CHK 07JUL02 MS FEHER	
MATERIAL COPPER ASTM B-188 ANNEALED	APPD 07JUL02 MJ SPICER	NAME TERMINAL, RECTANGULAR TONGUE, AMPOWER™, WIRE SIZE: 4/0 AWG
	APPD 07JUL02 MJ SPICER	
FINISH TIN PLATE 0.00381 [.000150] MIN THK PER MIL-T-10727	PRODUCT SPEC -	SIZE C 00779
	APPLICATION SPEC -	CAGE CODE C=696460
WEIGHT -		DRAWING NO C=696460
		SCALE 1:1
		SHEET 1 OF 1

THIS DRAWING IS A CONTROLLED DOCUMENT FOR AMP INCORPORATED. IT IS SUBJECT TO CHANGE AND THE CONTROLLING ENGINEERING ORGANIZATION SHOULD BE CONTACTED FOR THE LATEST REVISION.