

**MATERIALS AND FINISHES**

**BODY: BRASS**  
 PLATED: GOLD (8 μ-in MIN)  
 OVER NICKEL (80 μ-in MIN)

**CONTACT: BRASS**  
 PLATED: GOLD (30 μ-in MIN)  
 OVER NICKEL (100 μ-in MIN)

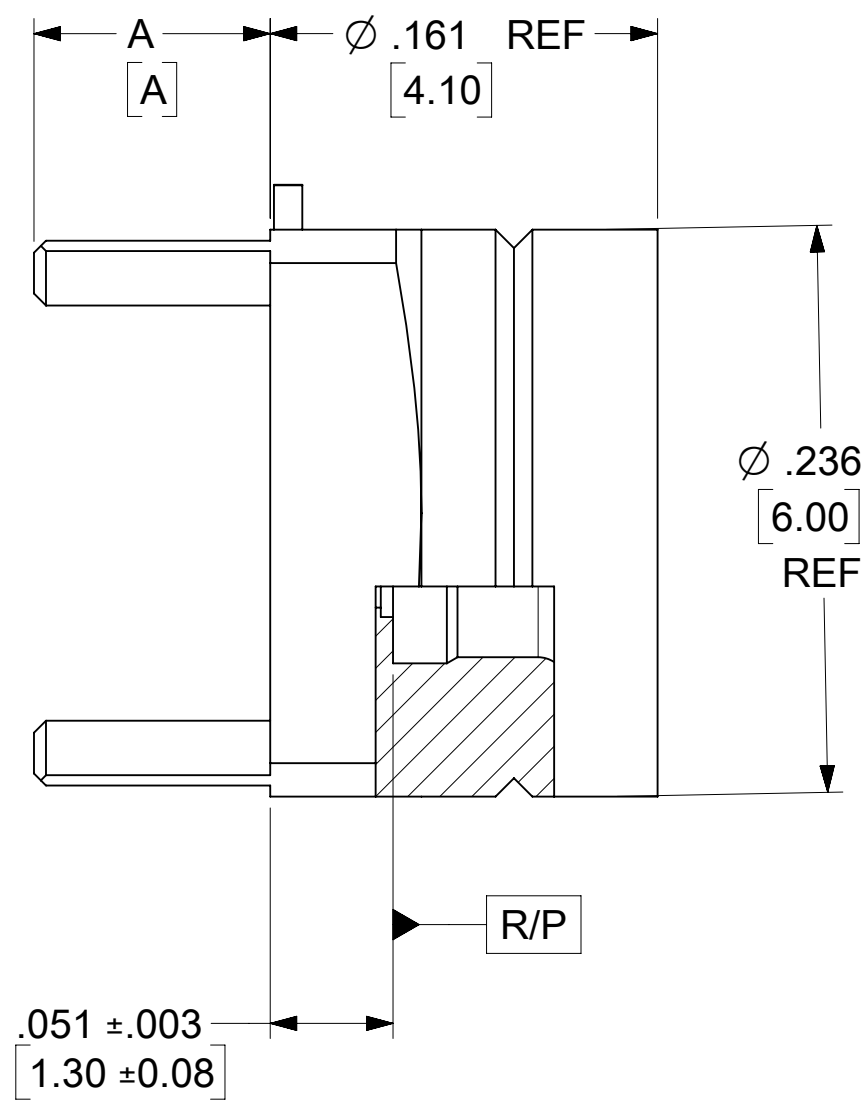
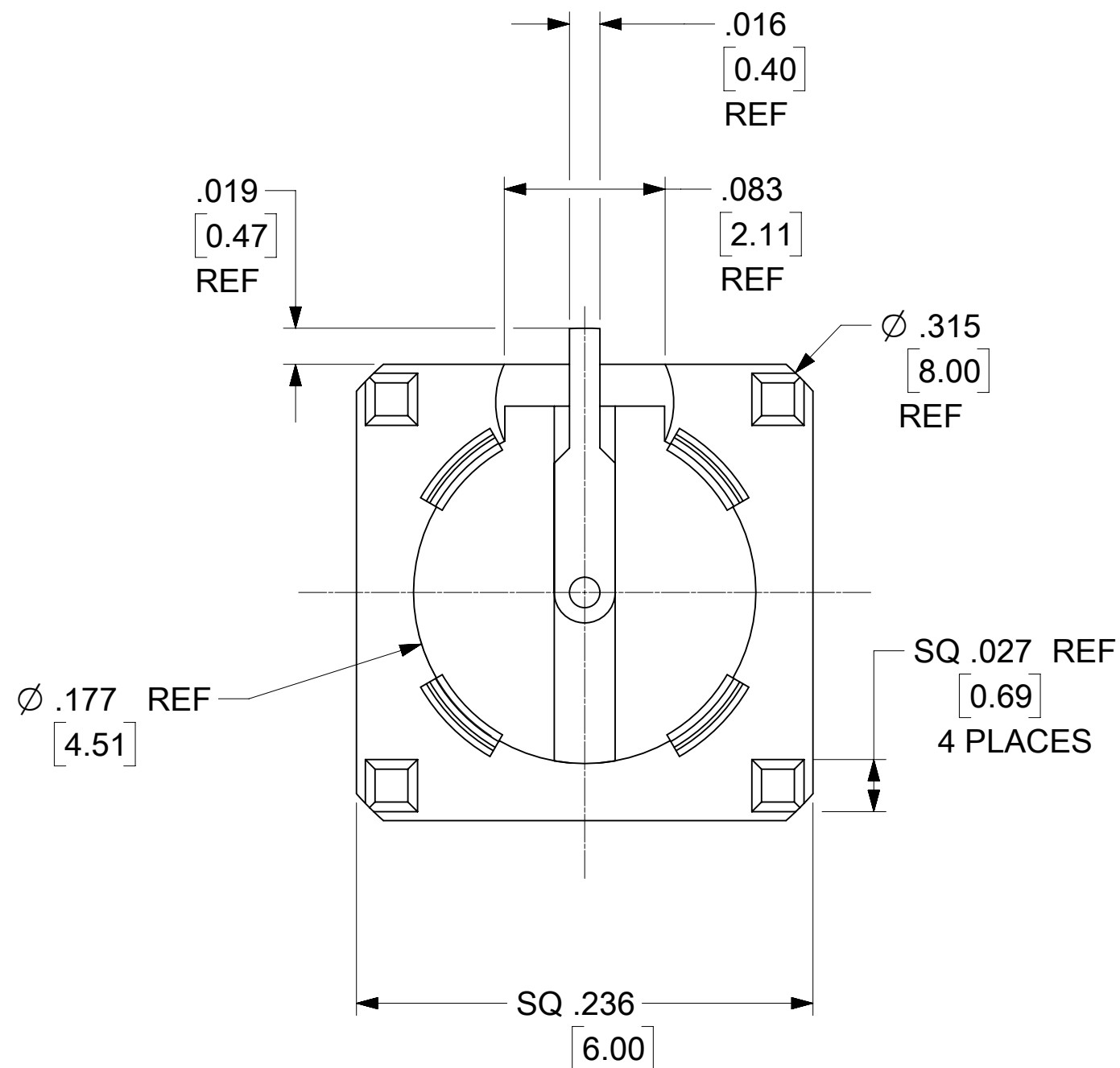
**INSULATOR: PEEK OR LCP**

**KAPTON TAPE DOT: POLYIMIDE FILM**  
 COLOR BLACK (ON -3318 ONLY)

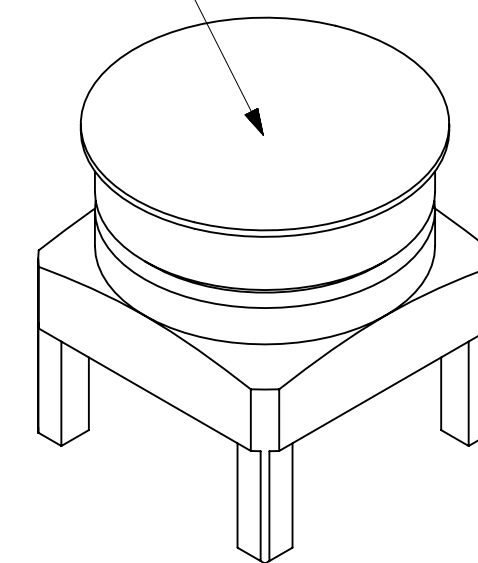
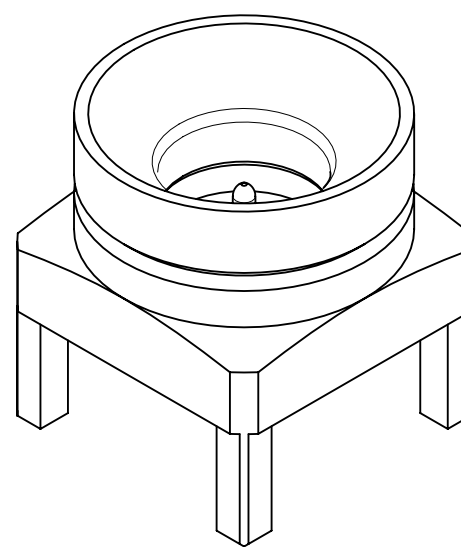
**LABEL FORMAT FOR 73415-3316**  
  
 PART NUMBER: 73415-3311  
 ORDER NUMER: 73415-3316  
 MOLEX  
 DATE: YYWW

**LABEL FORMAT FOR 73415-3317**  
  
 PART NUMBER: 73415-3313  
 ORDER NUMER: 73415-3317  
 MOLEX  
 DATE: YYWW

**LABEL FORMAT FOR 73415-3319**  
  
 PART NUMBER: 73415-3314  
 ORDER NUMER: 73415-3319  
 MOLEX  
 DATE: YYWW



KAPTON ON  
 73415-3318  
 ONLY



73415-3319	3.43 / .135	ONE PER BAG (73415-3314)	895420470
73415-3318	2.50 / .098	73415-3310 WITH KAPTON (750 PARTS PER REEL)	SEE SHEET 3 & 4
73415-3317	1.70 / .067	ONE PER BAG (73415-3313)	-----
73415-3316	2.50 / .098	ONE PER BAG (73415-3311)	895420510
73415-3315	3.43 / .135	TRAY (73415-3314)	895420040
73415-3314	3.43 / .135	TAPE & REEL (750 PARTS PER REEL)	SEE SHEET 3 & 4
73415-3313	1.70 / .067	TRAY (73415-3312)	-----
73415-3312	1.70 / .067	TAPE & REEL (750 PARTS PER REEL)	SEE SHEET 3 & 4
73415-3311	2.50 / .098	TRAY (73415-3310)	895420040
73415-3310	2.50 / .098	TAPE & REEL (750 PARTS PER REEL)	SEE SHEET 3 & 4
PART NO.	DIM A (MM/IN)	PACKAGING DESCRIPTION	PACKING SPEC

PS-89675-3320	PRODUCT SPECIFICATION
MIL-STD-348, FIG. 326.3	INTERFACE
SPECIFICATION	DESCRIPTION

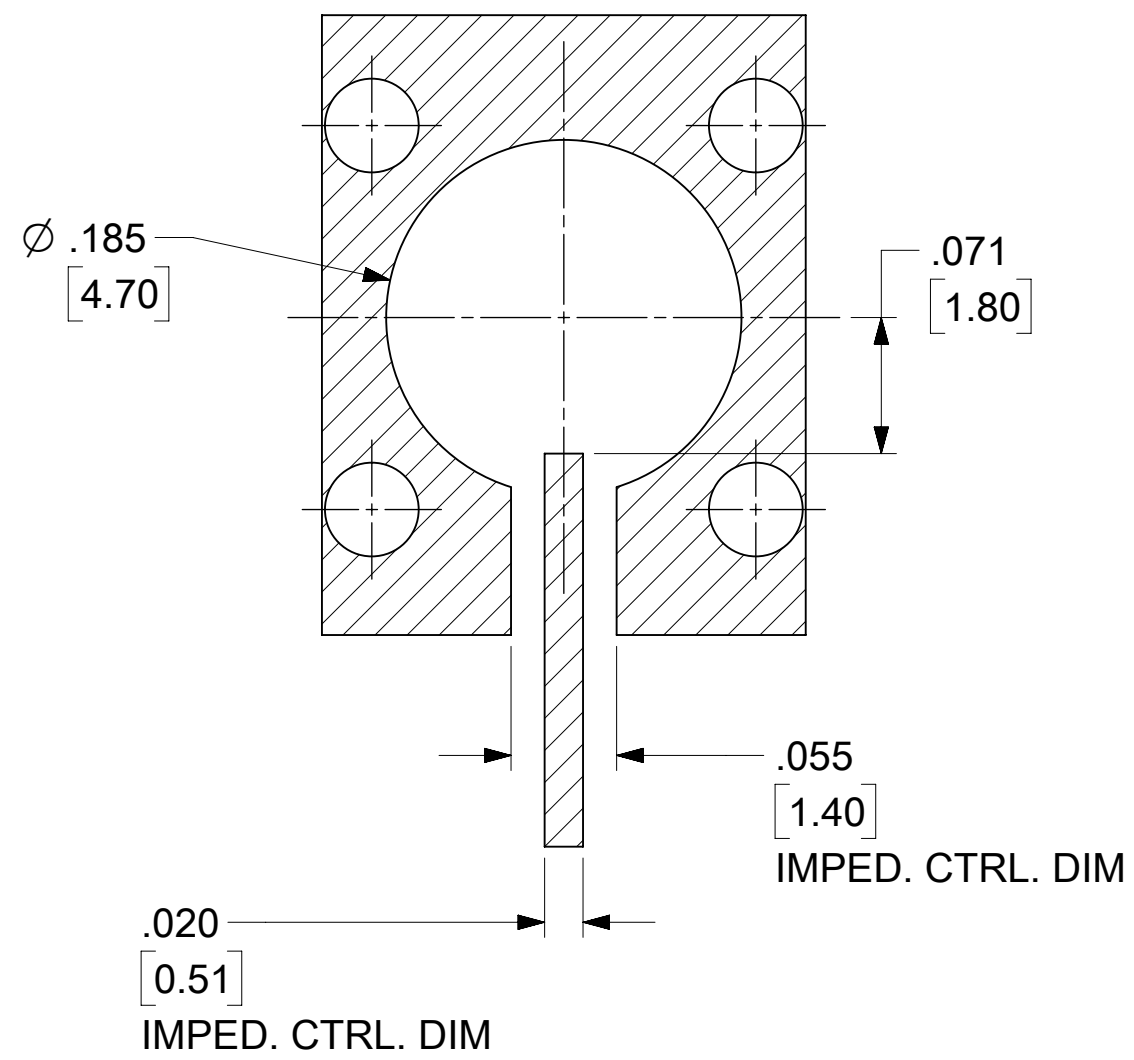
DOCUMENT STATUS	P1	RELEASE DATE	2022/08/25 04:24:38
-----------------	----	--------------	---------------------

FUNCTIONAL SYMBOLS	THIS DRAWING CONTAINS INFORMATION THAT IS PROPRIETARY TO MOLEX ELECTRONIC TECHNOLOGIES, LLC AND SHOULD NOT BE USED WITHOUT WRITTEN PERMISSION		CURRENT REV DESC: ADD P/N 73415-3319 FOR SMALL PACK PER EWR15321-D	
	DIMENSION UNITS	SCALE		
FA = 0	INCH/MM	NTS		
FC = 0	GENERAL TOLERANCES (UNLESS SPECIFIED)			
DIVISIONAL SYMBOLS		MM	INCH	
	FP = 0	4 PLACES	±	±
		3 PLACES	±	± 0.01
		2 PLACES	±	± 0.25
		1 PLACE	±	±
	0 PLACES	±	±	
	ANGULAR TOL	± 2.0 °		
DRAFT WHERE APPLICABLE MUST REMAIN WITHIN DIMENSIONS		THIRD ANGLE PROJECTION	DRAWING	SERIES
			C-SIZE	73415
		EC NO: 718862	DRWN: CWI02	2022/08/22
		CHK'D: YCHENG	APPR: YCHENG	2022/08/25
		INITIAL REVISION:	DRWN: JMASTRIANO	2005/12/09
			APPR: JWIENER	2005/12/09
		DOCUMENT NUMBER	CUSTOMER	SHEET NUMBER
		SD-73415-331	SEE TABLE	1 OF 4
		DOC TYPE	DOC PART	REVISION
		PSD	001	C12

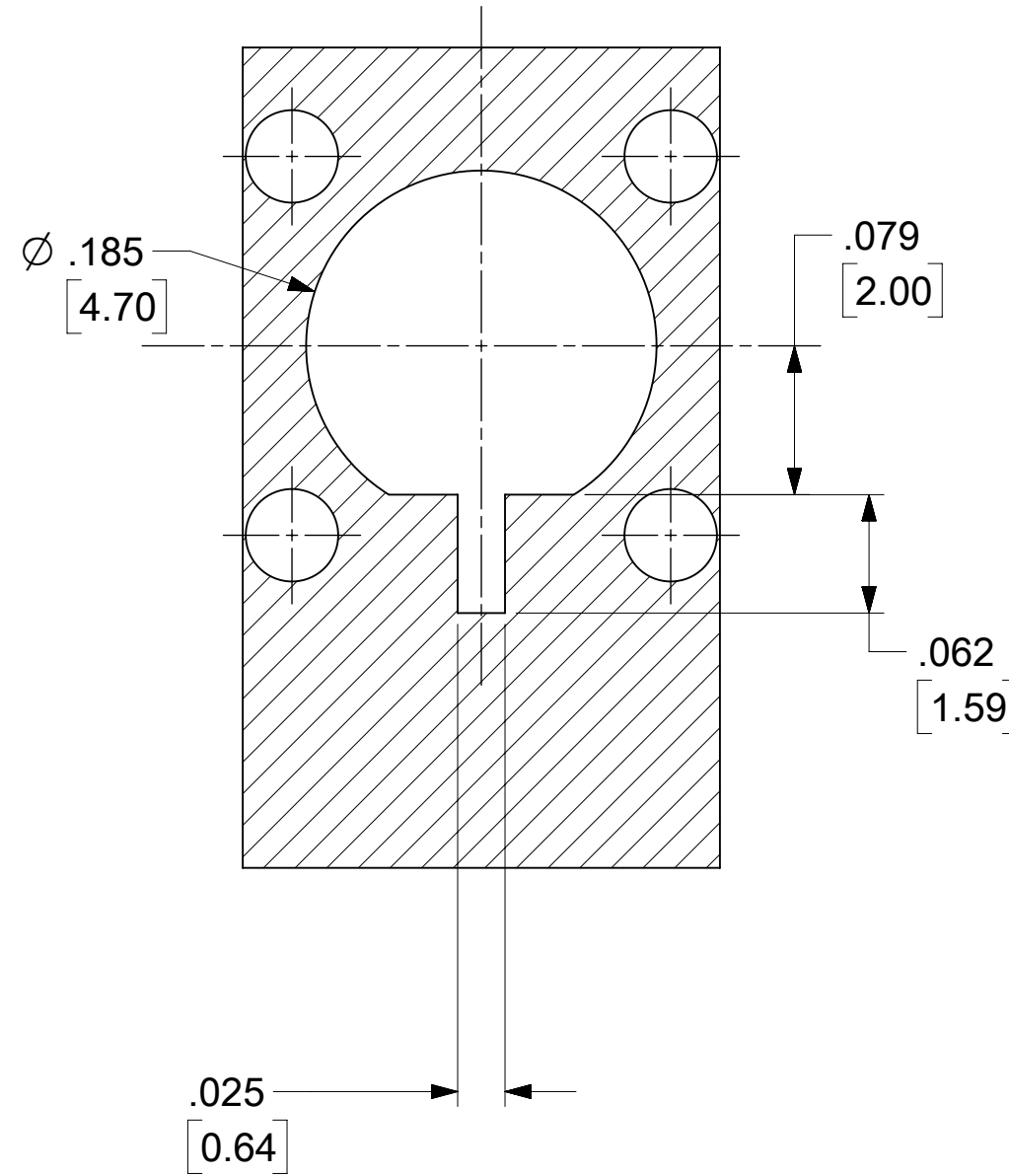
# PCB CONNECTOR LAUNCH / PAD (FOR REFERENCE ONLY)

ALL HATCHED SURFACES SHOWN BELOW ARE COPPER (Cu)

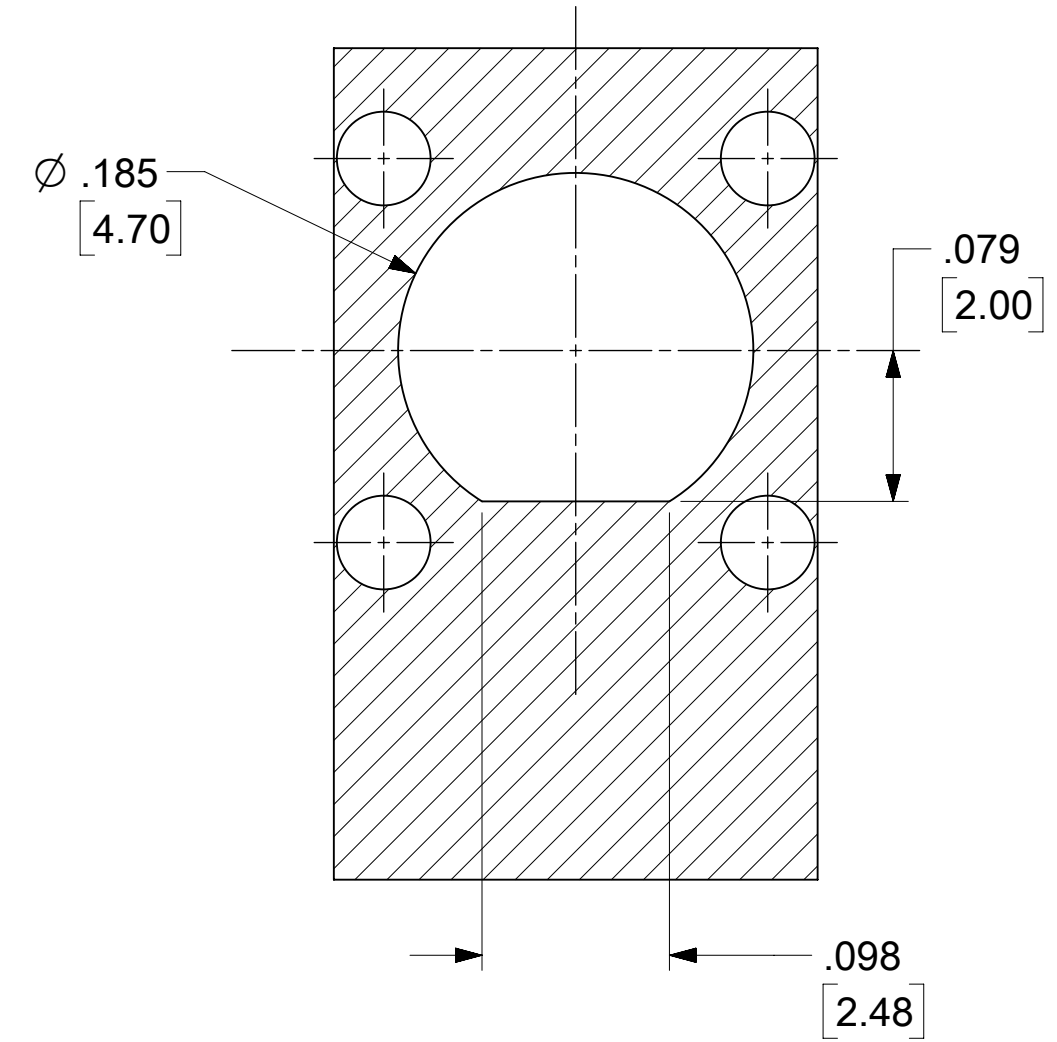
MOUNTING LAYER  
(LAYER 1)



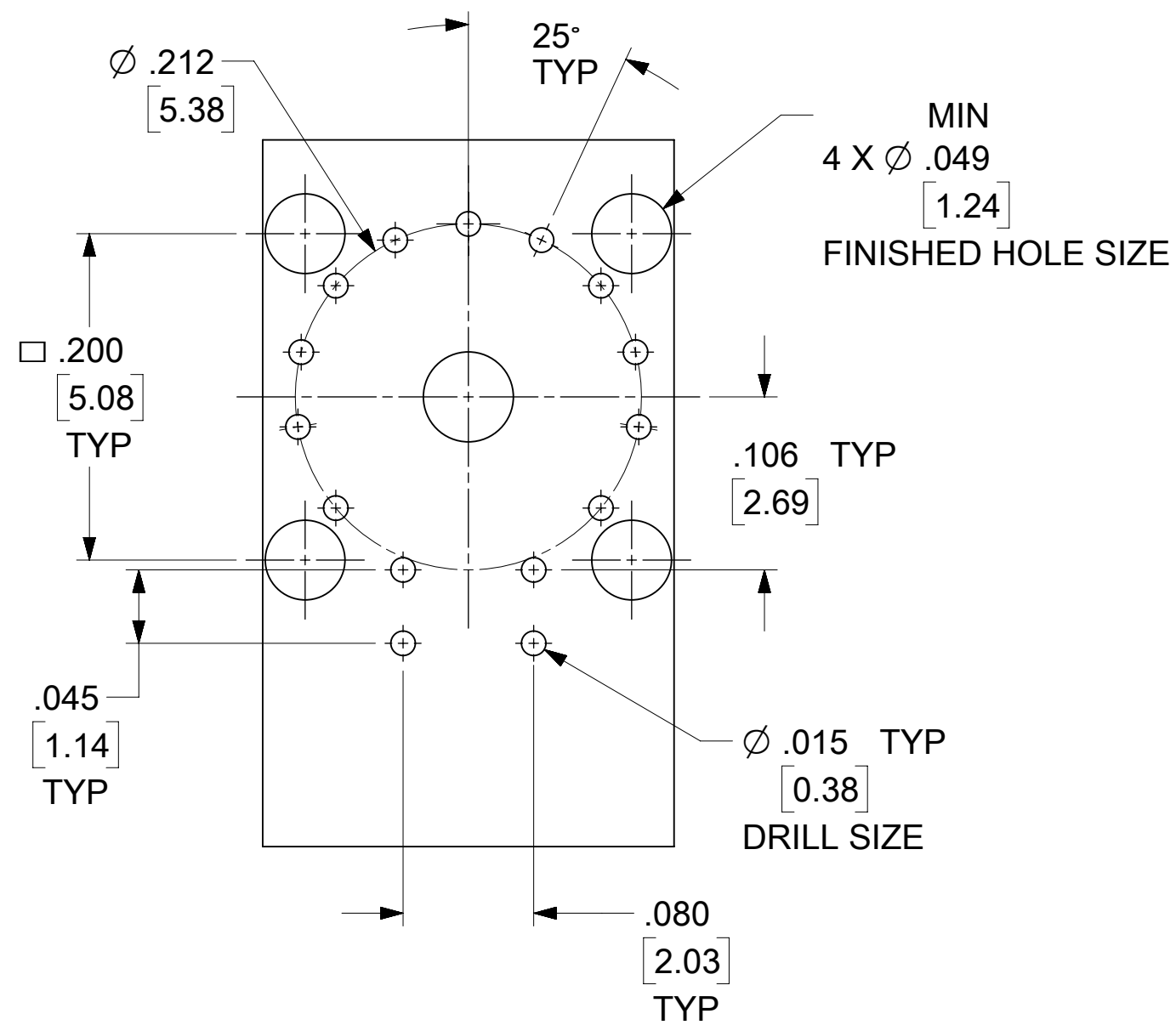
REFERENCE LAYER  
(LAYER 2)



SUBSEQUENT LAYERS  
(LAYER 3 AND SUBSEQUENT)



VIAS AND PLATED MOUNTING HOLES



PCB STACK UP

LAYER	MATERIAL	Dk	THICKNESS (mil)
1	Cu + PLATING		2.1
	RO4350	3.66	10
2	Cu		0.7
	RO4350	3.66	10
3*	Cu		0.7

\* SUBSEQUENT LAYERS MAY BE ADDED AS REQUIRED FOR INDIVIDUAL APPLICATIONS

TYPICAL PERFORMANCE CHARACTERISTICS WITH CONNECTOR AND PCB LAUNCH SHOWN

TYPICAL RETURN LOSS	FREQUENCY BAND
20dB	DC TO 18GHz

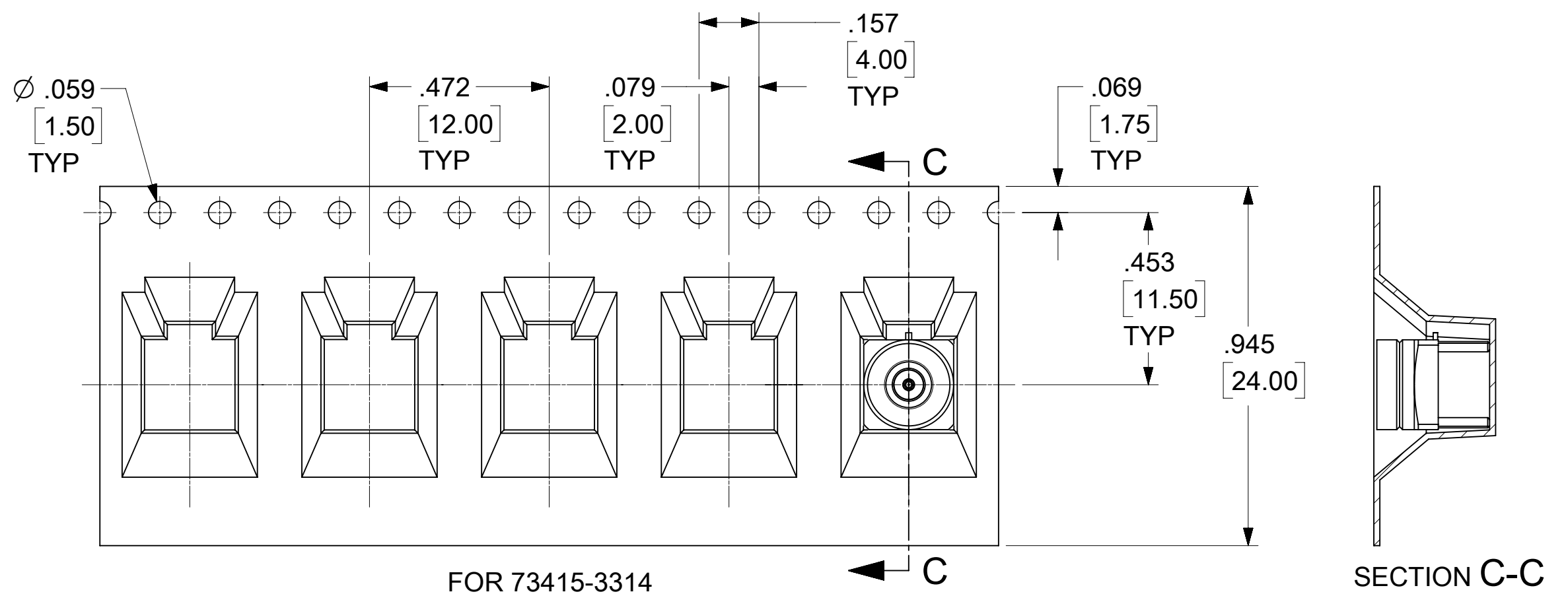
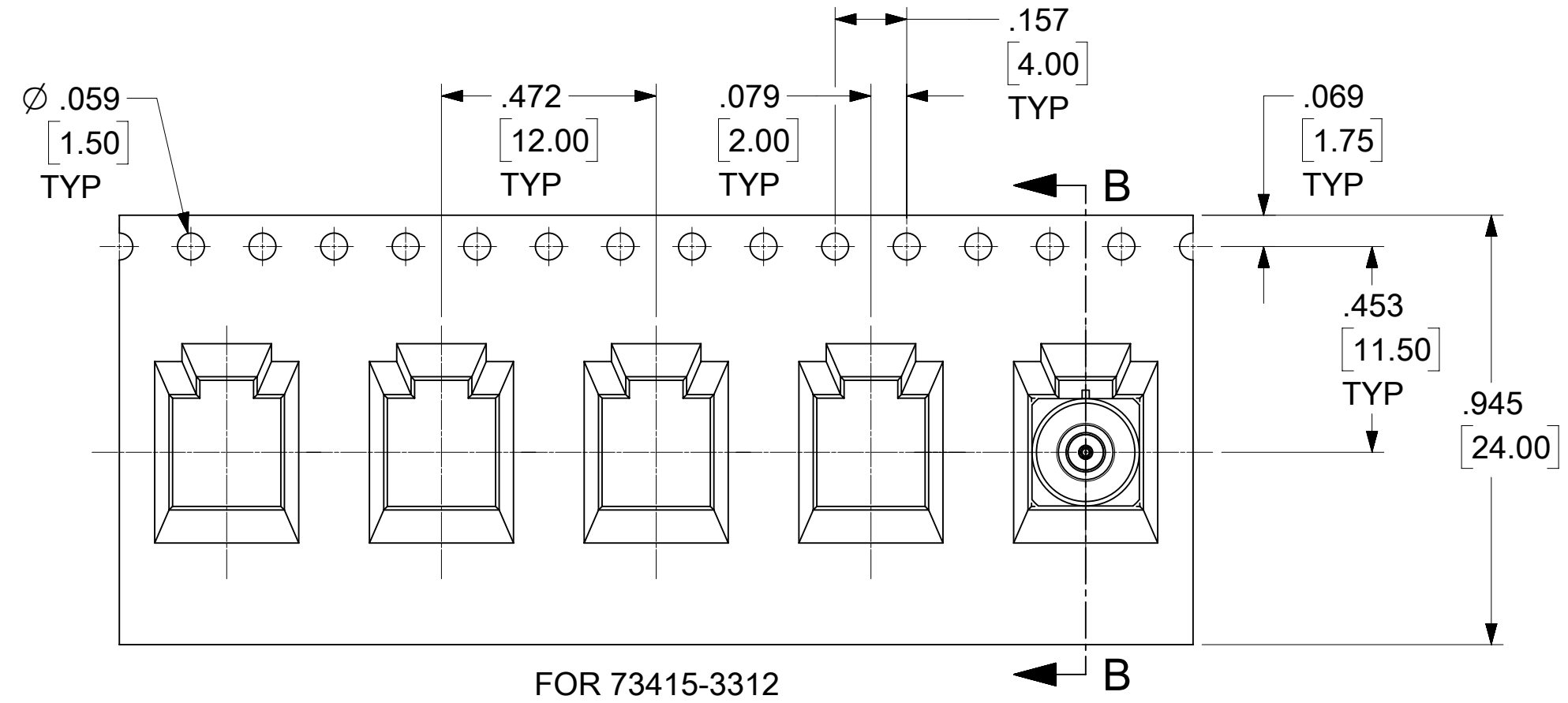
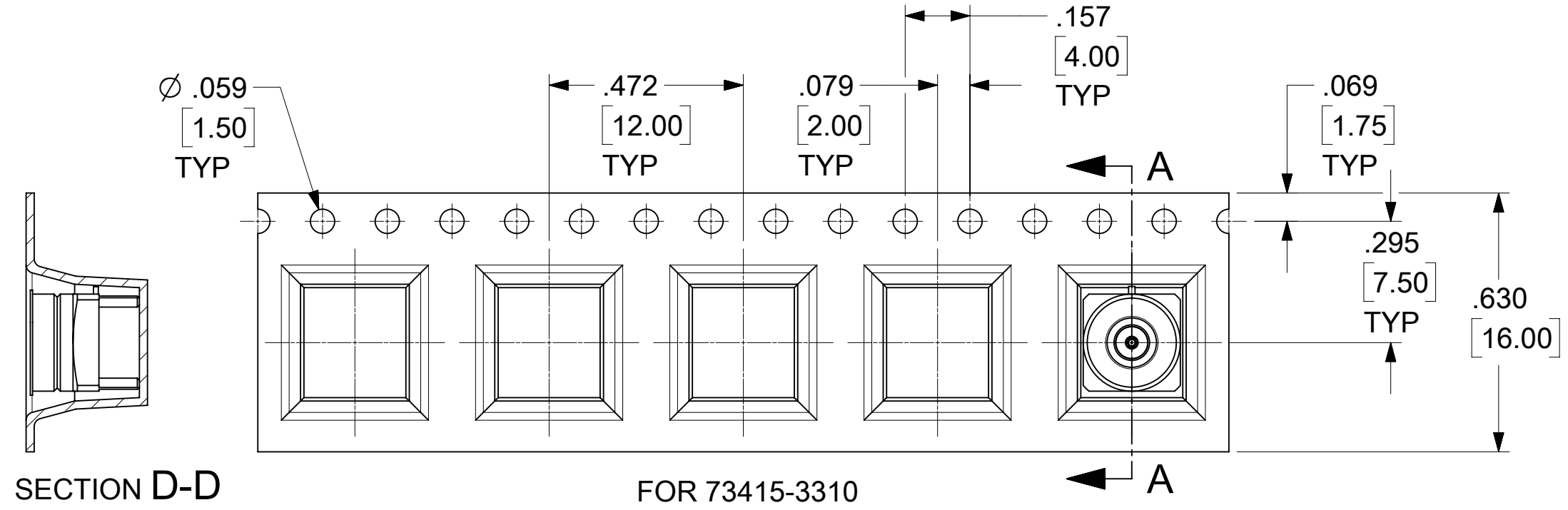
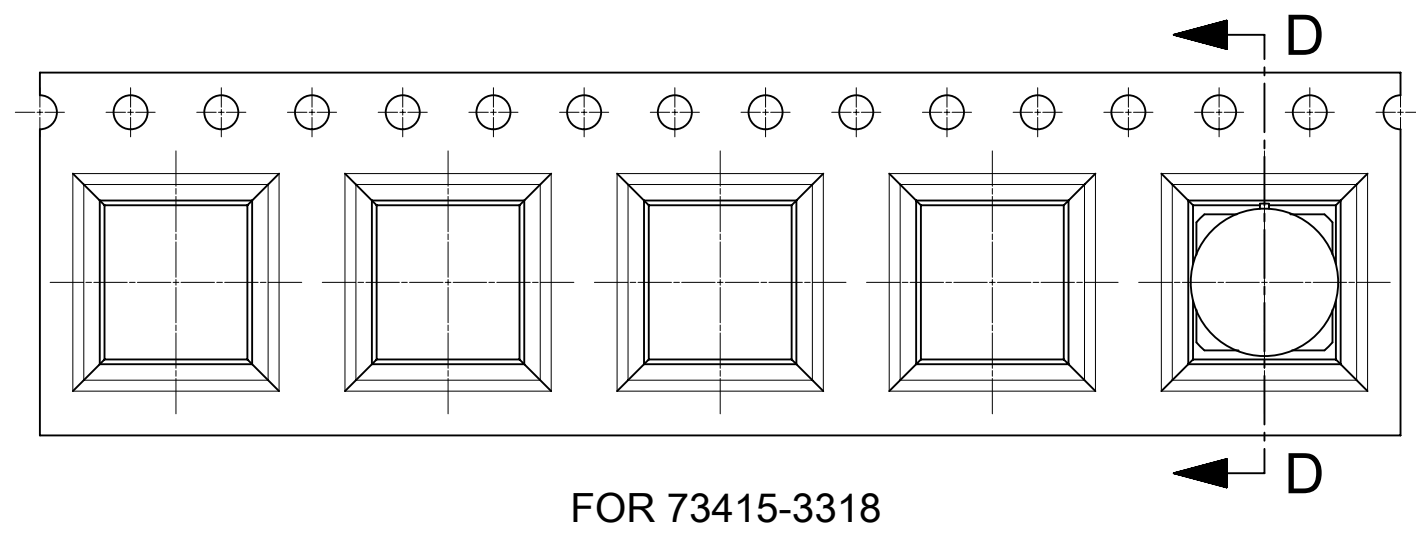
VARYING PCB STACKUPS AND PCB LAUNCH WILL RESULT IN VARYING RESULTS

CONTACT MOLEX RF / MICROWAVE FOR APPLICATION SPECIFIC ASSISTANCE

FUNCTIONAL SYMBOLS	THIS DRAWING CONTAINS INFORMATION THAT IS PROPRIETARY TO MOLEX ELECTRONIC TECHNOLOGIES, LLC AND SHOULD NOT BE USED WITHOUT WRITTEN PERMISSION		CURRENT REV DESC: ADD P/N 73415-3319 FOR SMALL PACK PER EWR15321-D																							
	$\frac{F}{A} = 0$ $\frac{F}{C} = 0$ $\frac{F}{P} = 0$	DIMENSION UNITS <b>INCH/MM</b>							SCALE <b>NTS</b>	EC NO: 718862 DRWN: CWEI02 CHK'D: YCHENG APPR: YCHENG																
DIVISIONAL SYMBOLS	GENERAL TOLERANCES (UNLESS SPECIFIED)		INITIAL REVISION:		DOCUMENT NUMBER																					
	<table border="1"> <thead> <tr> <th></th> <th>MM</th> <th>INCH</th> </tr> </thead> <tbody> <tr> <td>4 PLACES</td> <td>±</td> <td>±</td> </tr> <tr> <td>3 PLACES</td> <td>±</td> <td>± 0.01</td> </tr> <tr> <td>2 PLACES</td> <td>± 0.25</td> <td>±</td> </tr> <tr> <td>1 PLACE</td> <td>±</td> <td>±</td> </tr> <tr> <td>0 PLACES</td> <td>±</td> <td>±</td> </tr> </tbody> </table>			MM	INCH	4 PLACES	±	±	3 PLACES	±	± 0.01	2 PLACES	± 0.25	±	1 PLACE	±	±	0 PLACES	±	±	DRWN: JMASTRIANO APPR: JWIENER		2022/08/22 2022/08/25 2022/08/25		SD-73415-331	
		MM	INCH																							
	4 PLACES	±	±																							
3 PLACES	±	± 0.01																								
2 PLACES	± 0.25	±																								
1 PLACE	±	±																								
0 PLACES	±	±																								
ANGULAR TOL ± 2.0 °		DRAFT WHERE APPLICABLE MUST REMAIN WITHIN DIMENSIONS		THIRD ANGLE PROJECTION		DRAWING		SERIES																		
						C-SIZE		73415																		

PRODUCT CUSTOMER DRAWING		DOC TYPE	DOC PART	REVISION
SD-73415-331		PSD	001	C12
MATERIAL NUMBER		CUSTOMER		SHEET NUMBER
				2 OF 4

NOTE  
1. 10 PIECES CUMULATIVE TOLERANCE ±0.20[.008]



FUNCTIONAL SYMBOLS	THIS DRAWING CONTAINS INFORMATION THAT IS PROPRIETARY TO MOLEX ELECTRONIC TECHNOLOGIES, LLC AND SHOULD NOT BE USED WITHOUT WRITTEN PERMISSION									
	DIMENSION UNITS		SCALE		CURRENT REV DESC: ADD P/N 73415-3319 FOR SMALL PACK PER EWR15321-D					
$\frac{F}{A} = 0$	INCH/MM		NTS		EC NO: 718862 DRWN: CWEI02 CHK'D: YCHENG APPR: YCHENG 2022/08/22 2022/08/25 2022/08/25					
$\frac{F}{C} = 0$	GENERAL TOLERANCES (UNLESS SPECIFIED)									
$\frac{F}{P} = 0$	4 PLACES		±	±	INITIAL REVISION: DRWN: JMASTRIANO APPR: JWIENER 2005/12/09 2005/12/09					
DIVISIONAL SYMBOLS		3 PLACES		±						
		2 PLACES		±	0.25	±				
		1 PLACE		±	±					
		0 PLACES		±	±					
		ANGULAR TOL		±	2.0 °					
		DRAFT WHERE APPLICABLE MUST REMAIN WITHIN DIMENSIONS		THIRD ANGLE PROJECTION		DRAWING		SERIES		
				C-SIZE		73415				
		DOCUMENT NUMBER		SD-73415-331		DOC TYPE		DOC PART		
				PSD		001		C12		
		MATERIAL NUMBER		CUSTOMER		SEE TABLE		SHEET NUMBER		
								3 OF 4		

**molex**

SMP PLUG STRAIGHT PCB  
LIMITED DETENT, EWR-1359 SMP-P/PCB

PRODUCT CUSTOMER DRAWING

LABEL:  
 -ORDER NUMBER  
 -QUANTITY  
 -PART NUMBER  
 -LOT NUMBER

75 EMPTY UNITS  
 MINIMUM

ORDER QUANTITY  
 PACKED WITH 750  
 PARTS

40 EMPTY UNITS  
 MINIMUM

5.842  
 5.84  
 MIN

∅ 12.993  
 330.02

HANDLING DIRECTION →

FOR 73415-3310  
 73415-3312  
 73415-3314  
 73415-3318

DETAIL E  
 SCALE 2:1

FOR 73415-3310

DETAIL F  
 SCALE 2:1

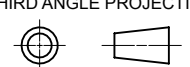
FOR 73415-3312

DETAIL G  
 SCALE 2:1

FOR 73415-3314

DETAIL H  
 SCALE 2:1

FOR 73415-3318

FUNCTIONAL SYMBOLS $\frac{F}{A} = 0$ $\frac{F}{C} = 0$ $\frac{F}{P} = 0$ DIVISIONAL SYMBOLS	THIS DRAWING CONTAINS INFORMATION THAT IS PROPRIETARY TO MOLEX ELECTRONIC TECHNOLOGIES, LLC AND SHOULD NOT BE USED WITHOUT WRITTEN PERMISSION			
	DIMENSION UNITS		SCALE	
	INCH/MM		NTS	
	CURRENT REV DESC: ADD P/N 73415-3319 FOR SMALL PACK PER EWR15321-D			
GENERAL TOLERANCES (UNLESS SPECIFIED)				
4 PLACES		±	±	EC NO: 718862 DRWN: CWEI02 2022/08/22 CHK'D: YCHENG 2022/08/25 APPR: YCHENG 2022/08/25 INITIAL REVISION: DRWN: JMASTRIANO 2005/12/09 APPR: JWIENER 2005/12/09
3 PLACES		±	± 0.01	
2 PLACES		± 0.25	±	
1 PLACE		±	±	
0 PLACES		±	±	
ANGULAR TOL		± 2.0 °		
DRAFT WHERE APPLICABLE MUST REMAIN WITHIN DIMENSIONS				
THIRD ANGLE PROJECTION		DRAWING		SERIES <b>73415</b>
		C-SIZE		
DOCUMENT NUMBER		CUSTOMER		SHEET NUMBER <b>4 OF 4</b>
SD-73415-331		SEE TABLE		
DOC TYPE		DOC PART		REVISION <b>C12</b>
PSD		001		

**molex**

SMP PLUG STRAIGHT PCB  
 LIMITED DETENT, EWR-1359 SMP-P/PCB

PRODUCT CUSTOMER DRAWING

DOCUMENT STATUS P1 RELEASE DATE 2022/08/25 04:24:38