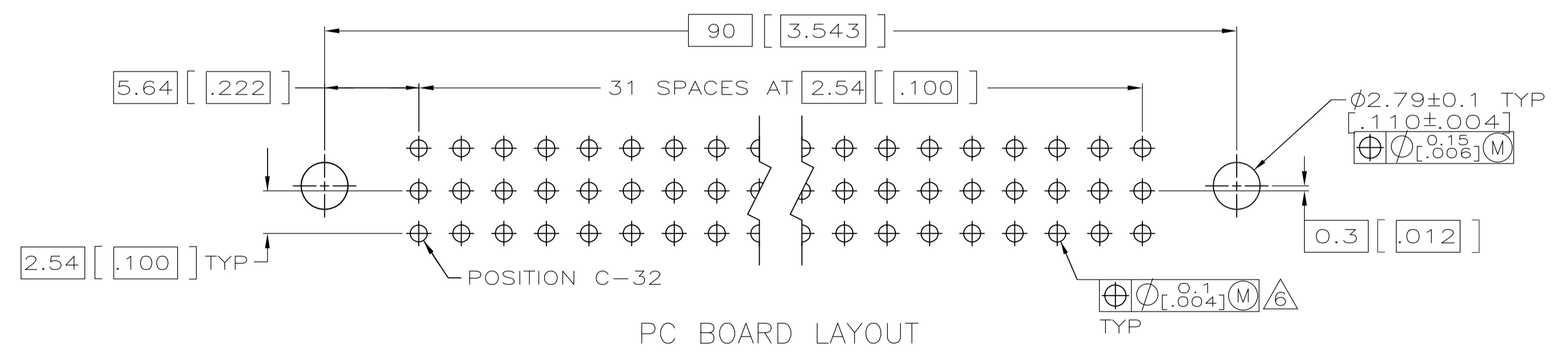
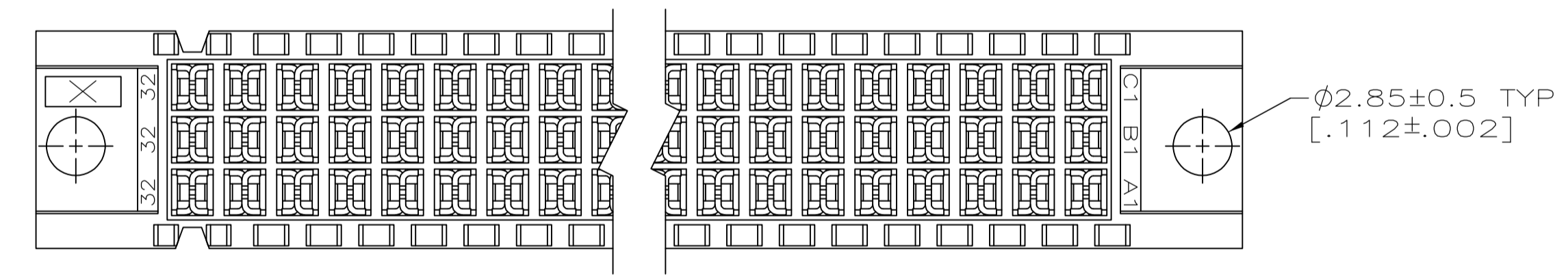
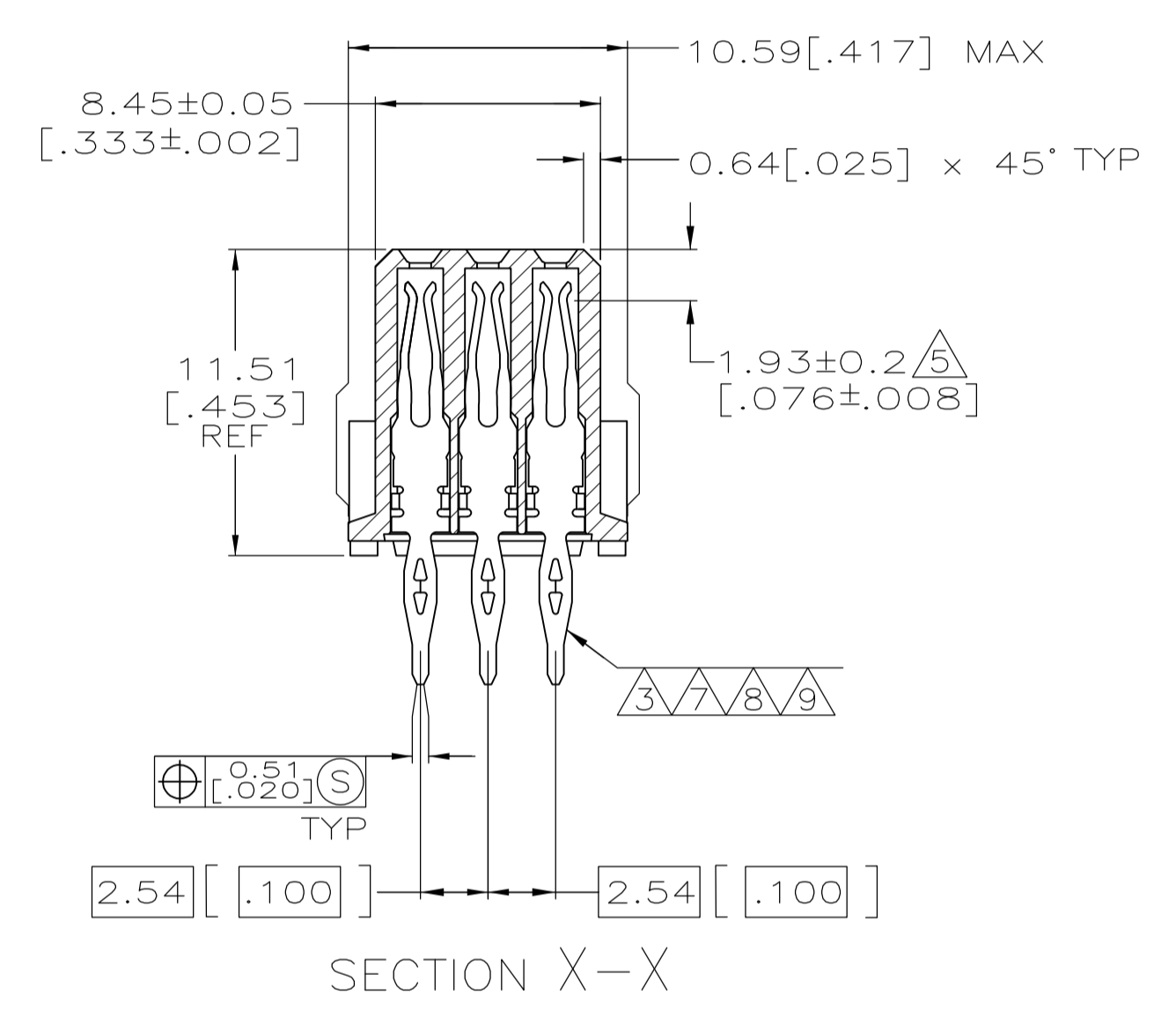
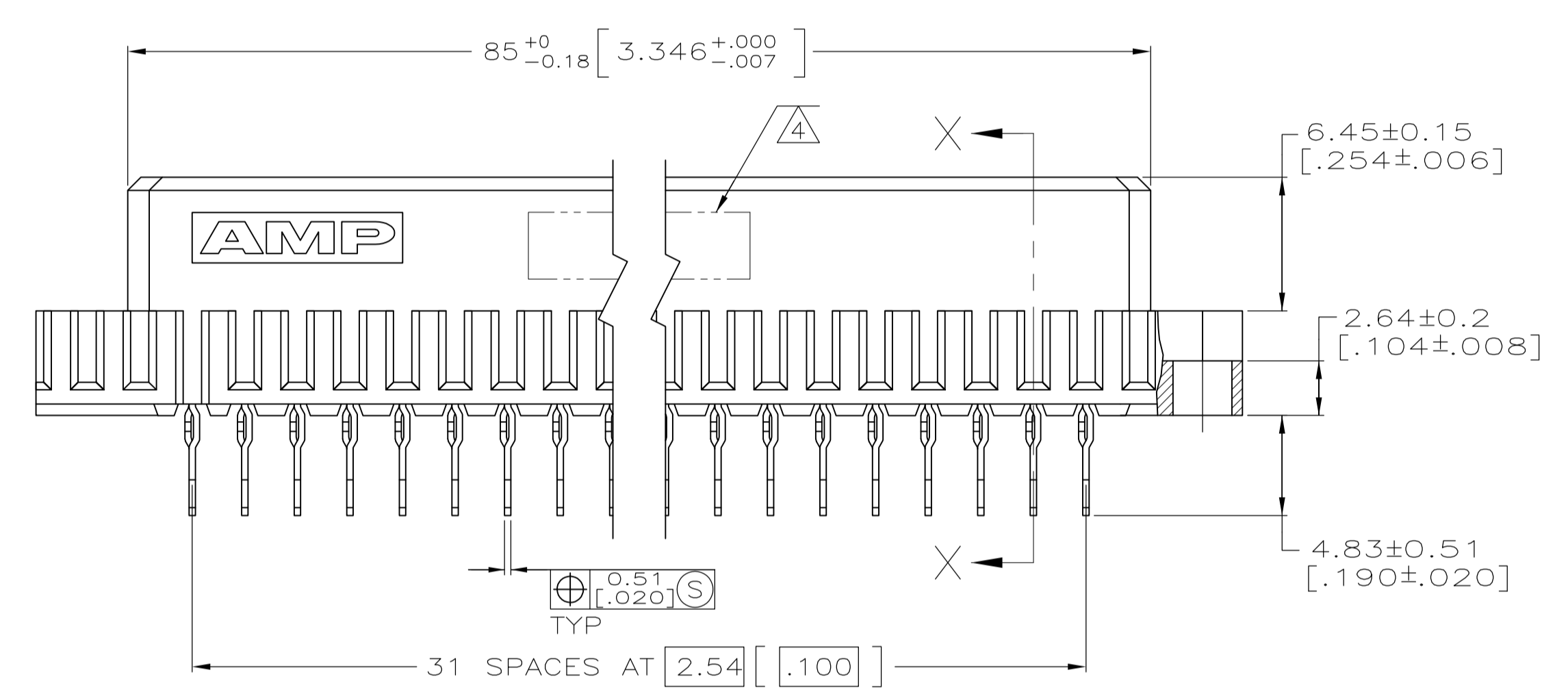
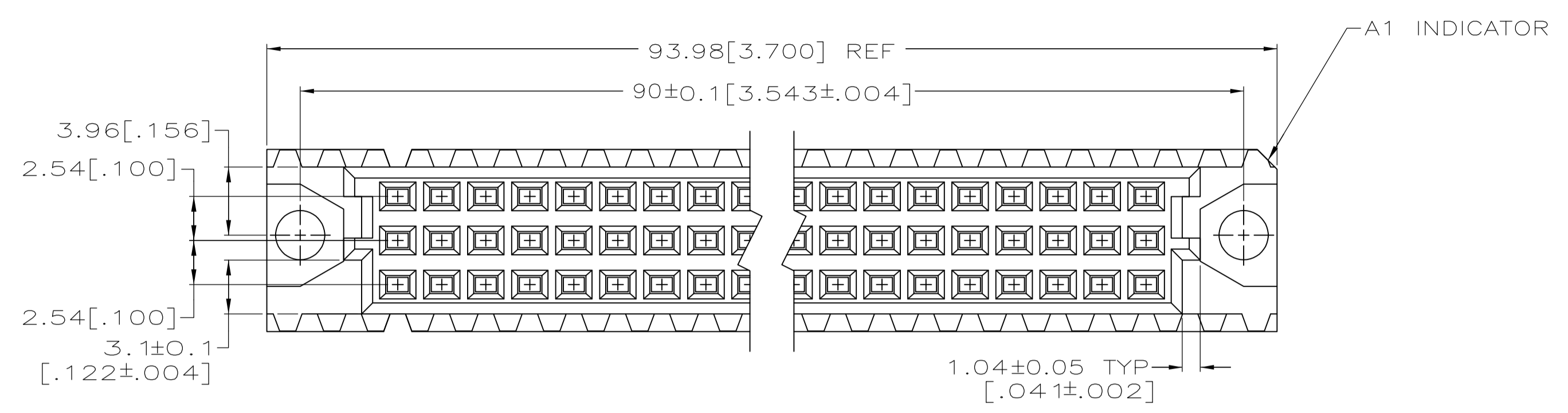


- 1 HOUSING MATERIAL: GLASS-FILLED POLYESTER. COLOR: GRAY.
- 2 CONTACT MATERIAL: PHOSPHOR BRONZE.
- 3 CONTACT FINISH: DIN 41612 CLASS 2 IN CONTACT AREA. TIN ON POSTS.
- 4 PART NUMBER, DATE CODE IDENTIFICATION, CSA LOGO IN THIS APPROXIMATE AREA.
- 5 POINT OF MEASUREMENT FOR GOLD.
- 6 ACTION PIN POSTS REQUIRE 1.57[.062] MINIMUM THICK PC BOARD. RECOMMENDED PC BOARD HOLES ARE $\phi 1.151 \pm 0.02 [.0453 \pm .001]$ DRILLED HOLE WITH 0.02-0.07[.001-.003] COPPER AND 0.008[.0003] MINIMUM TIN-LEAD PLATING. FINISHED HOLE AFTER PLATING, $\phi 0.94-1.09 [.037-.043]$.
- 7 CONTACT FINISH: 0.00127[.000050] GOLD IN CONTACT AREA. 0.00127[.000050] NICKEL UNDERPLATE ALL OVER. TIN-LEAD ON POSTS.
- 8 CONTACT FINISH: DIN 41612 CLASS 3 IN CONTACT AREA. TIN-LEAD ON POSTS.
- 9 CONTACT FINISH: DIN 41612 CLASS 2 IN CONTACT AREA. TIN-LEAD ON POSTS.



SUPERSEDED BY: 5535032-4	3	1 THRU 32	X	X	X	96	7-535032-4
	8	1 THRU 32	X	X	X	96	535032-9
	9	1 THRU 32	X	X	X	96	535032-5
	9	1 THRU 32	X	X	X	96	535032-4
	7	1 THRU 32	X	X	X	96	535032-1
NOTES	POSITIONS LOADED	C	B	A	NO. OF LOADED POSITIONS	ASSY PART NUMBER	

THIS DRAWING IS A CONTROLLED DOCUMENT. DIMENSIONS: mm [INCHES]. TOLERANCES UNLESS OTHERWISE SPECIFIED: 0 PLC ± -, 1 PLC ± -, 2 PLC ± 0.13[.005], 3 PLC ± -, 4 PLC ± -, ANGLES ± -.

DIN L. BRINER 12/6/88
 CHK J. BROWN 2/27/89
 APVD -

STE TE Connectivity
 ASSEMBLY, RECEPTACLE, EUROCARD, TOOLLESS PRESSFIT, 96 POSITION

SIZE: A1
 CAGE CODE: 00779
 DRAWING NO: 535032
 WEIGHT: -
 CUSTOMER DRAWING

SCALE: 4:1
 SHEET: 1 of 1
 REV: R1