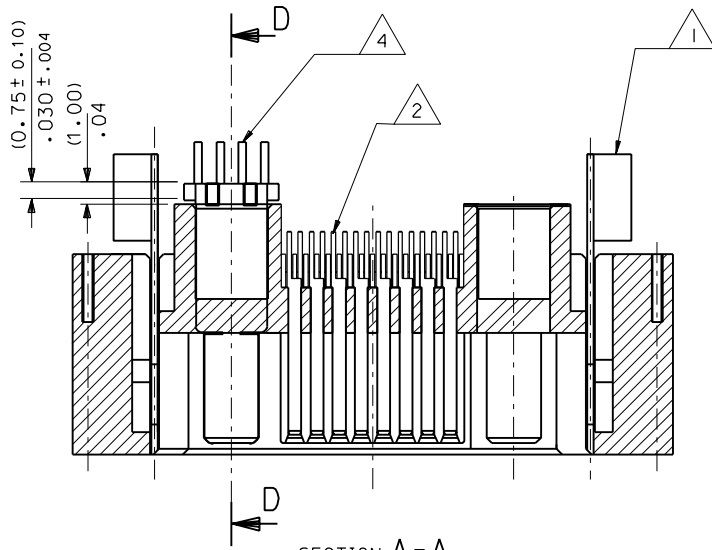
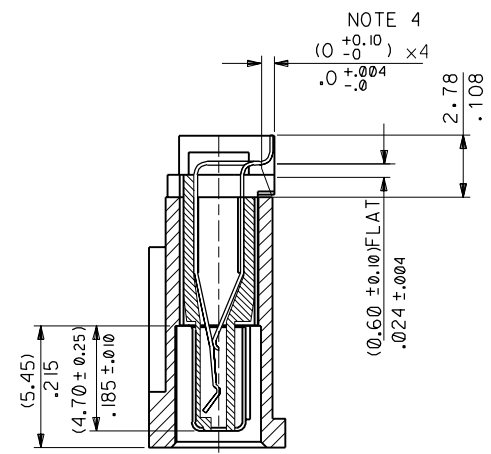


PART NO.
90811-2007

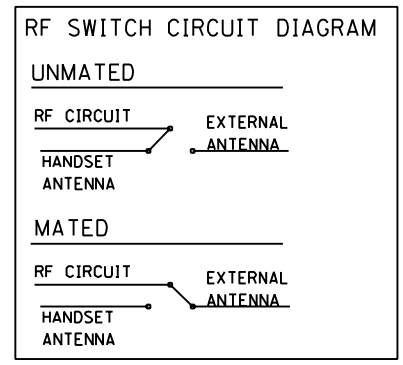
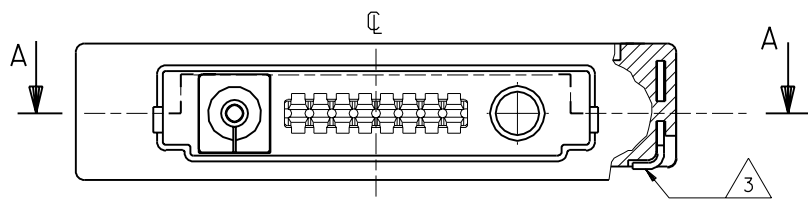
DWG. NO. SDA-90811-2007



SECTION A-A



SECTION D-D
RF SWITCH DETAIL

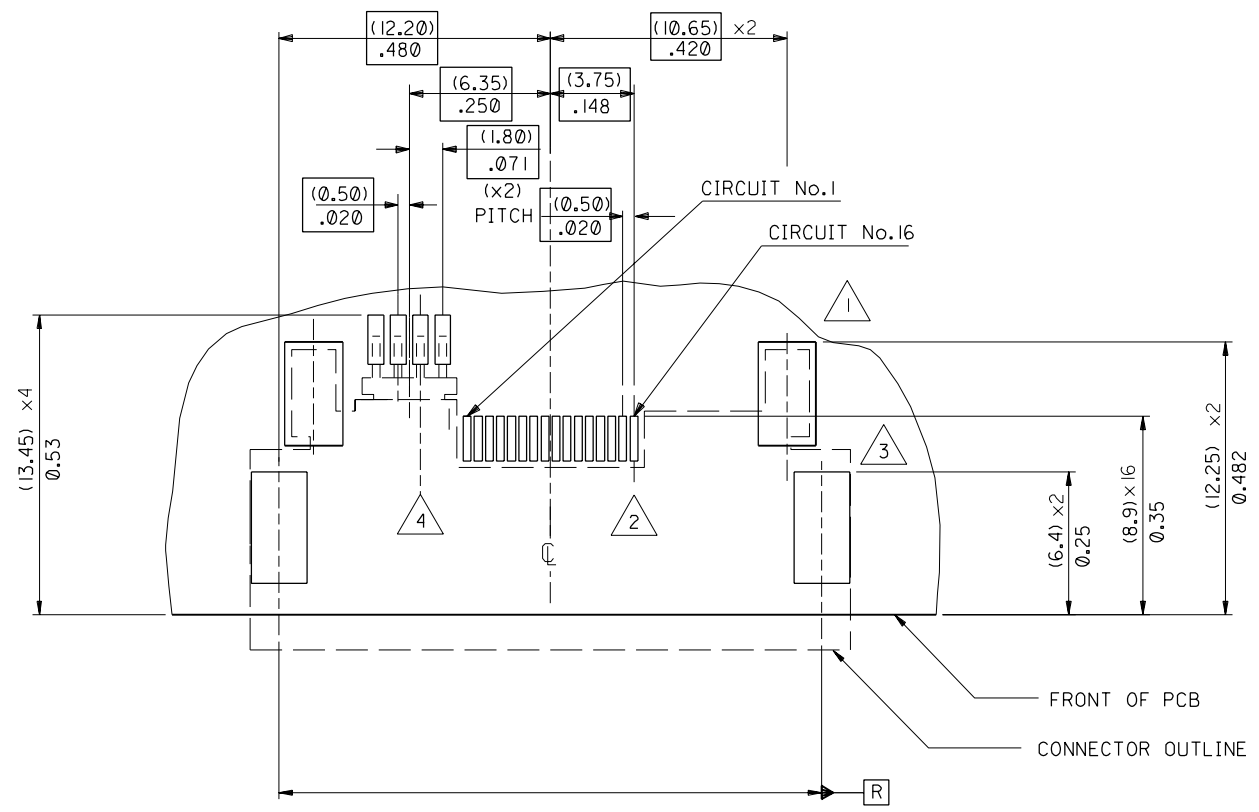


FOR MISSING DIMENSIONS AND NOTES SEE DRAWING SDA-90811-2001

REVISE ONLY ON CAD SYSTEM		SH.	REV.
CAD/DEM FILENAME 9081101 DGN	THIS DRAWING CONTAINS INFORMATION THAT IS PROPRIETARY TO MOLEX INC. & SHOULD NOT BE USED WITHOUT WRITTEN PERMISSION		
TITLE I/O CONNECTOR FOR MOBILE PHONE			
MOLLEX MOLEX EUROPE		SHEET NO. 10F 2	DATE 95/03/29
PART NO. 90811-2007	DWG NO. SDA-90811-2007	SIZE B	

ORIGINAL RELEASE ECN E50463 95.03.29 HDU	DIMENSIONS SHOWN (METRIC) INCH UNLESS OTHERWISE SPECIFIED TOLERANCES: ANGULAR ± 5°	DRWG BY HDU
LTR	INCH (METRIC)	CHK'D BY
	3 PLACE ± .002 2 PLACE ± .004 ± 0.05 1 PLACE ± 0.10	APP'D BY
A	DRAFT WHERE APPLICABLE MUST REMAIN WITHIN DIMENSIONS	SCALE 5:1
	DESIGN DIMENSION (PRIMARY) <input checked="" type="checkbox"/> (MM) <input type="checkbox"/> IN.	
	EQUIVALENT DIMENSION (SECONDARY) <input type="checkbox"/> (MM) <input checked="" type="checkbox"/> IN.	

PART NO. **90811-2007**
 Dwg. No. **SDA-90811-2007**



COMPONENT	PCB PAD DIMENSION	QTY
LOCKING LATCHES	(2.60) / .102 x (4.65) / .183	$\text{⌀} (0.10) / .004 \text{ R} (x2)$
SIGNAL CONTACTS	$(0.35 \pm 0.05) / .014 \pm 0.002 \times (2.0) / .08$	$\text{⌀} (0.10) / .004 \text{ R} (x16)$
SMT RETENTION PADS	(2.50) / .098 x (5.0) / .197	$\text{⌀} (0.10) / .004 \text{ R} (x2)$
CO-AX CONDUCTOR	$(0.70) / .028 \times (2.2) / .087$	$\text{⌀} (0.10) / .004 \text{ R} (x4)$

FOR PREVIOUS DRAWING ISSUES SEE MRI.

A SEE SHEET I.

LTR	REVISIONS	DIMENSIONS SHOWN (METRIC) INCH	
		INCH	(METRIC)
	3 PLACE	$\pm .002$	
	2 PLACE	$\pm .004$	± 0.05
	1 PLACE		± 0.10
	DRAFT WHERE APPLICABLE MUST REMAIN WITHIN DIMENSIONS		
	DESIGN DIMENSION (PRIMARY)	<input type="checkbox"/> IN.	<input type="checkbox"/> (MM)
	EQUIVALENT DIMENSION (SECONDARY)	<input type="checkbox"/> IN.	<input type="checkbox"/> (MM)

DRWG BY **HDU**
 CHK'D BY
 APP'D BY
 SCALE **5:1**

REVISE ONLY ON CAD SYSTEM		SHL	REV.
CAD/CAM FILENAME A90811T.DGN	THIS DRAWING CONTAINS INFORMATION THAT IS PROPRIETARY TO MOLEX INC. & SHOULD NOT BE USED WITHOUT WRITTEN PERMISSION		
TITLE I/O CONNECTOR FOR MOBILE PHONE PCB LAYOUT			
MOLEX EUROPE		SHEET NO. 20F 2	DATE 95/03/29
PART NO. 90811-2007	DWG NO. SDA-90811-2007	SIZE B	