

PART NUMBER	REV	FIRST USED
567852-1	A	854040-4

TERMINAL NAME: PIN		286548	VISIBLE PAD LTR	CRIMPING DATA	
			CRIMP HEIGHT		WIRE SIZE
			A	.047 ±.002 [1.19 ±0.05mm]	20
AMP		MFG P/N	NOT		USED
286548		F6TB-14461-AA	NOT		USED
			NOT		USED
			NOT		USED
CRIMP		SIZE	TYPE	RANGE	
WIRE		.078 [1.98mm]	F	20	
INSUL		.104 [2.64mm]	F	ø.086 MAX	
WIRE STRIP LENGTH	TERM APPL SPEC	FEED	APPL INSTRUCTION	SET UP GAGE	LAYOUT
.197-.236		.380	SEE CUSTOMER MANUAL	NONE	L1871

STANDARD FORCE CRIMP QUALITY MONITOR APPLICATOR

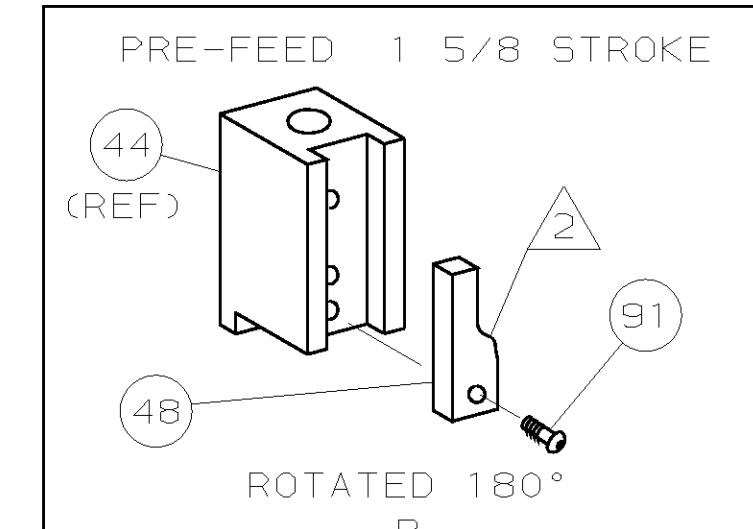
					70
					69
					68
1	-	A	2-21010-7	SCR, SET (6-32x.12) LIFT ARM	67
1	-	B	1-21002-6	SCR, BHC (6-32x.25) LEVER	66
1	-	B	856044-1	LEVER, SLIDE LOCK	65
1	-	A	2-21000-0	SCR, SHC (6-32x.50) LIFT ARM	64
1	-	B	856043-1	ARM, LIFT	63
1	-	A	2-21000-6	SCR, SHC (8-32x.38) EXT ARM	62
1	-	B	856042-1	ARM, EXTENSION	61
					60
					59
					58
1	-	A	7-21013-3	SCR, SET (5/16x.38) CR BOLT	57
REF	-	B	694433-8	PAWL, FEED	56
					55
					54
					53
					52
1	-	A	811242-2	BUMPER, HOLDDOWN	51
1	-	A	690753-1	SPACER, TONKER	50
					49
1	-	A	690602-6	CAM, PRE-FEED 1.62 STROKE	48
					47
					46
1	-	A	690191-1	PLUG, NYLON	45
1	-	C	853493-4	SIDE FEED RAM ASSY	44
1	-	A	690125-1	WASHER, LAMINATED	43
1	-	A	690124-1	WASHER, RAM	42
1	-	A	7-21002-9	BOLT, CRIMPER (5/16x1.00)	41
1	-	A	23241-6	BALL, STEEL	40
1	-	A	690170-1	SPRING, COMPRESSION	39
1	-	C	690142-1	DISC, INSULATION	38
1	-	D	354777-1	WIRE DISC, PLASTIC	37
1	-	A	22480-5	WASHER, SPRING	36
1	-	B	856041-1	POST, RAM	35
1	-	B	2-690786-3	SUPPORT, TERMINAL	34
1	-	C	462544-1	PLATE, BASE SPECIAL	33
1	-	A	690432-3	SCREW, ADJUSTMENT	32
1	-	B	462543-1	BLOCK, SCREW SPECIAL	31
1	-	B	455689-1	BLOCK, STRIP GUIDE ADJ	30
1	-	C	3-458144-7	PLATE, STRIP GUIDE	29
1	-	C	1-455888-5	SPACER, FRONT SHEAR DEP	28
2	-	A	1-22284-0	SPRING, DRAG	27
1	-	B	240793-1	LEVER, DRAG RELEASE	26
1	-	B	217233-1	DRAG, TERMINAL	25
1	-	D	6-690504-2	GUIDE, STRIP (REAR)	24
1	-	A	1-690438-0	GUIDE, STRIP (FRONT)	23
					22
1	-	A	463756-1	GUIDE, SCRAP	21
					20
1	-	C	462615-9	STRIPPER	19
					18
					17
					16
					15
					14
					13
1	-	A	5-22280-0	SPRING, SHEAR	12
1	-	B	690461-2	STOP, SHEAR (FRONT)	11
1	-	B	462548-1	HOLDER, SHEAR (FRONT) SP	10
1	-	B	904029-1	SHEAR, FLOAT (FRONT) SP	9
1	-	C	662520-7	ANVIL	8
1	-	C	1-240641-9	SPACER, DEPRESSOR (REAR)	7
					6
1	-	A	462838-1	DEPRESSOR, SHEAR (FRONT) SP	5
1	-	B	1-238011-0	SPACER, BLOCK CRIMPER	4
1	-	C	8-683453-7	CRIMPER, INSULATION	3
1	-	C	455888-9	SPACER, CRIMPER	2
1	-	C	5-458141-0	CRIMPER, WIRE	1

2	-	C	4-354779-2	PIN, WIRE DISC (.3200)C	129
					128
					127
					126
1	-	A	986950-1	WASHER, FLAT PRECISION	125
1	-	A	217238-4	DOCUMENTATION PACKAGE	124
					123
					122
1	-	A	4-21028-0	PIN, SLT SPR (ø.093x.75) ST 6DE PL	121
1	-	B	690701-2	PLATE, SERIAL NO.	120
2	-	A	21899-2	WASHER, FLAT (#10) S G ADJ BLK	119
					118
2	-	A	21024-5	WASHER, LOCK (#10) ADJ BLOCK	117
					116
					115
2	-	A	21024-2	WASHER, LOCK (#4) FRONT STP GUIDE	114
REF	-	A	21024-4	WASHER, LOCK (#8) FEED FINGER	113
2	-	A	21024-4	WASHER, LOCK (#8) DEP-HOLD	112
REF	-	A	21024-4	WASHER, LOCK (#8) STRIPPER	111
					110
					109
1	-	A	21018-5	NUT, HEX (#6) HOLD DOWN	108
					107
					106
1	-	A	22353-8	SCR, SHLD (ø.187x.25) DRAG LEVER	105
					104
1	-	A	21009-2	SCR, SKT SET (1/4-20x.25 LW) RAM	103
					102
4	-	A	21017-2	SCR, DRIVE (#2x.19) ID PLATE	101
1	-	B	819347-1	PLATE, IDENTIFICATION	100
2	-	A	3-21002-0	SCR, BHC (10-32x.88) DRAG	99
1	-	A	22733-8	SCR, BHC (8-32x.38 LW) ANVIL	98
					97
1	-	A	3-21000-8	SCR, SHC (10-32x.88) MOUNTING	96
1	-	A	2-21002-7	SCR, BHC (10-32x.50) S6 ADJ BLK	95
6	-	A	2-21002-2	SCR, BHC (8-32x.50) SHEAR-TERM SUP	94
					93
					92
1	-	A	1-21002-7	SCR, SHC (6-32x.50) CAM	91
4	-	A	2-21000-7	SCR, SHC (8-32x.50) SCR BLK	90
					89
					88
					87
REF	-	A	2-22603-0	SCR, HEX HD (8-32x.31) FEED FINGER	86
2	-	A	1-21000-3	SCR, SHC (4-40x.25) F ST GUIDE	85
REF	-	A	22733-9	SCR, BHC (8-32x.50 SL) STRIPPER	84
					83
					82
1	-	A	3-22603-1	SCR, HEX (10-32x.38) S6 ADJ BL	81
					80
					79
					78
2	-	B	463310-5	BLADE, STRIPPING (#20)	77
-	-	D	354440-3	FFC LOOP ASSY	76
					75
1	-	A	690603-1	SPRING, ASSIST	74
1	-	A	23030-1	SCR, SKT CAP (6-32x.25) CP DSC	73
					72
2	-	B	853495-1	GASKET	71

QTY REOD PER ASSY		PARTS LIST			
-1	U/M	DWG SIZE	PART NO	DESCRIPTION	ITEM NO
QTY REOD PER ASSY		PARTS LIST			
-1	U/M	DWG SIZE	PART NO	DESCRIPTION	ITEM NO
REVISION OF EACH ASSY NO (WHEN BLANK, USE DWG REVISION)					
DIMENSIONS IN INCHES. DO NOT SCALE PRINT. TOLERANCES UNLESS OTHERWISE SPECIFIED:		MATL		HT TR	
2 PLC DEC ±		-		FIN	
3 PLC DEC ±		-		-	
4 PLC DEC ±		-		-	
ANGLES ±		-		-	
SURF TEXTURE: REMOVE BURRS, BREAK SHARP EDGES R.015 MAX		DR 05FEB97 APP 10FEB97		J.HIRNEISEN	
A1 ECN 0150-0429-04		TE 4-04		-	
A RELEASED		CE 4-97		-	
P/F LTR REVISION RECORD		APP DATE		-	
NAME		SCALE		DWG NO	
COM STRIPPER CRIMPER APPLICATOR		-		567852	
MACHINE REF		SHEET		REV	
STRIPPER CRIMPER		1 OF 1		A1	
CASE CODE 00779 CUSTOMER AND ASSEMBLY DRAWING RESTRICTED TO					

THIS DRAWING IS A CONTROLLED DOCUMENT.

THIS DRAWING IS UNRELEASED. RELEASED FOR PUBLICATION BY AMP INCORPORATED. ALL RIGHTS RESERVED. COPYRIGHT 1997. LOC A DTST 66 AMP 1756 REV 3-92 05-APR-04 14:23:22 US016926 7



- 1 RECOMMENDED SPARE PARTS.
- 2 GREASE LIGHTLY.
- 3 ITEM NOT SHOWN
- 4 TORQUE ITEM 41 TO 60 INCH POUNDS
- 5 APPLY TERMINAL PER TRW SAFETY SYSTEMS SPEC TRWFS00071.