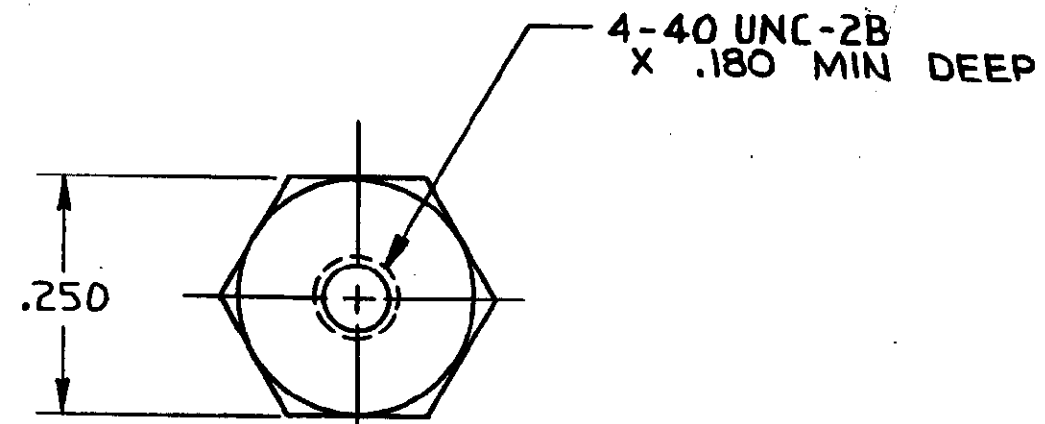
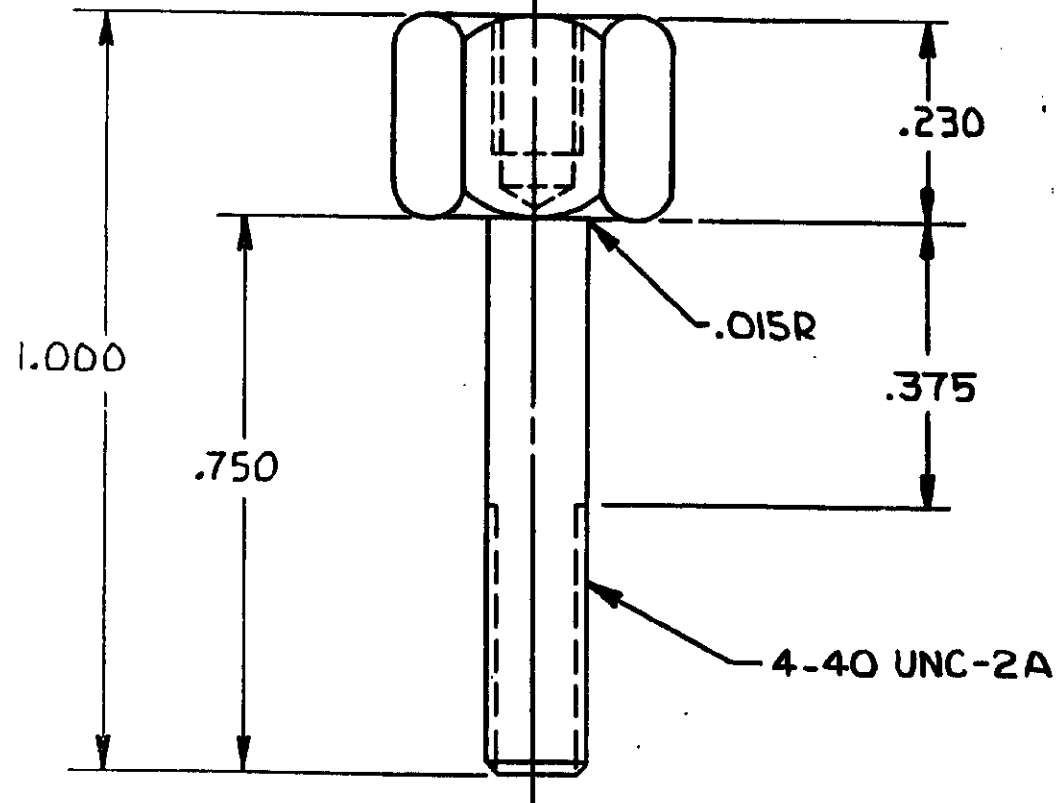


© COPYRIGHT 1976 BY AMP INCORPORATED, HARRISBURG, PA.
ALL INTERNATIONAL RIGHTS RESERVED. AMP INCORPORATED PRODUCTS
COVERED BY U. S. AND FOREIGN PATENTS AND/OR PATENTS PENDING.

REVISIONS						
P	F	ZONE	LTR	DESCRIPTION	DATE	APPROVED
G	1		H	REV PER ECO-13-000050	09JAN13	P. RECCE



1. ALL DIM. SHOWN ARE FOR REF ONLY.



552113-1 AS SHOWN

UNLESS OTHERWISE SPECIFIED DIMENSIONS ARE IN INCHES. TOLERANCES ON: DECIMALS ± .001 ANGLES ± .1°		CONTRACT NO	AMP INCORPORATED Harrisburg, Pa		PART NO
MATERIAL BRASS	DR <i>Amey Holt</i> 5/23/78	CHK <i>RE Rauh</i> 6-1-78	NAME SCREW, MOUNTING, HEX HD		
FINISH NICKEL PLATE	APPD <i>Stacy</i> 6-2-78	APPD	SIZE B	CODE IDENT NO 00779	NUMBER 552113
	DSGN APPD	OTHER APPD	SCALE 4/1	SHEET 1 OF 1	