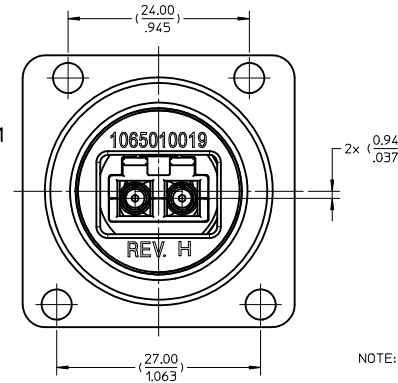
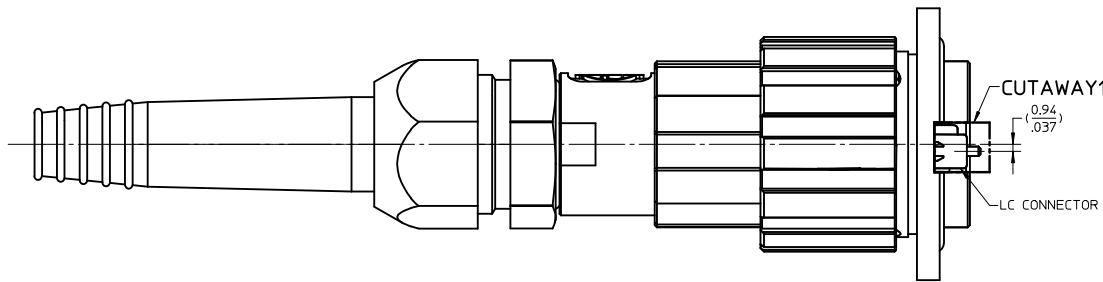
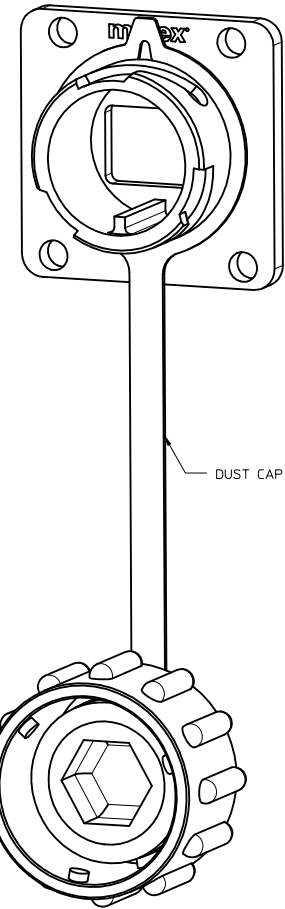
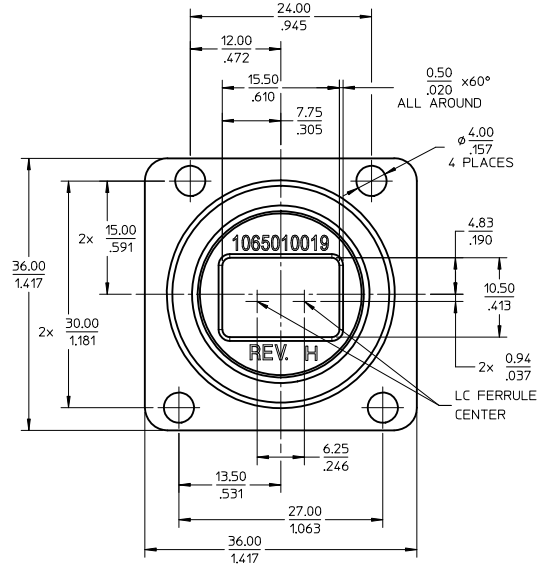
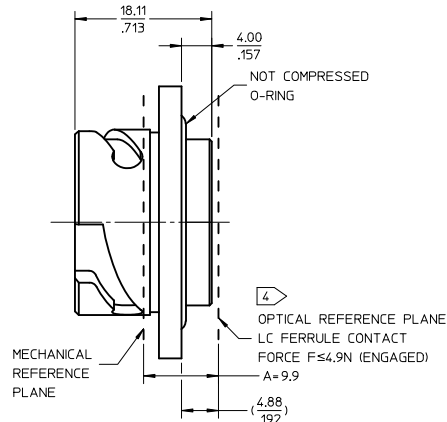
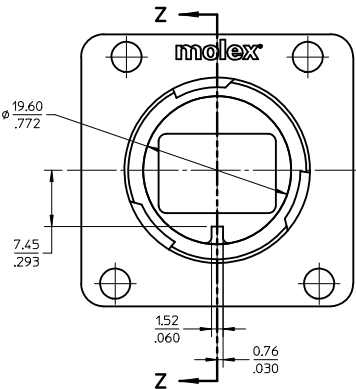
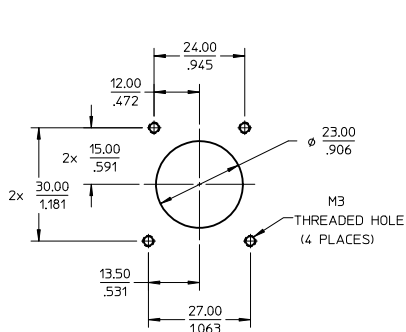


	IF	THEN
1	F=0	A≥10.45mm
2	A≤10.4mm	F≥4.1N
3	A≥9.9mm	F≤4.9N

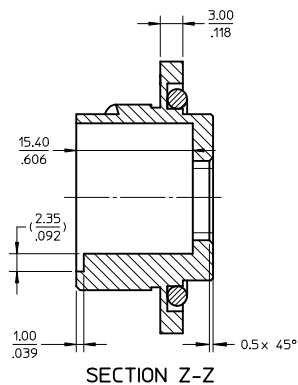


NOTE:

- ALL DIMENSIONS ARE FOR REFERENCE ONLY.
- ADAPTER HOUSING MATERIAL - ZINC ALLOY AG40A (ZAMAK 3).  
FINISH:  
TOPCOAT: ELECTROLESS NICKEL PLATING PER ASTM B733-04 SC2.  
TYPE V, CLASS 1 PLATING THICKNESS 0.013mm MIN.(0.0005in).  
UNDERCOAT: COPPER PER MIL-C-14550B, CLASS 2  
THICKNESS 0.0025-0.005mm (0.0001-0.0002in)
- O-RING MATERIAL - ETHYLENE-PROPYLENE,  
70 DUROMETERS SHORE A.
- SEE TABLE FOR FERRULE EXTENSION AND CONTACT FORCE.



RECOMMENDED MOUNTING CUTOUT  
SCALE 1:1



SECTION Z-Z

<b>ENTER DESCRIPTION</b> EC NO: MF 2010-0277 DRWN: L.SADAUSKIENE 2009/12/21 CHKD: 2009/12/21 APPR: WCHEN 2009/12/21	<b>QUALITY SYMBOLS</b> ▽=0 ▽=0	<b>GENERAL TOLERANCES (UNLESS SPECIFIED)</b>		<b>DIMENSION STYLE</b> IN/MM		<b>SCALE</b> 2:1	<b>DESIGN UNITS</b> INCH	<b>THIRD ANGLE PROJECTION</b>
		4 PLACES ± --- ± --- 3 PLACES ± --- ± .005 2 PLACES ± 0.13 ± --- 1 PLACE ± 0.13 ± --- ANGULAR ± 1/2°	mm INCH DRAWN BY L.SADAUSKAS DATE 2008/08/19 CHECKED BY DATE	<b>APPROVED BY</b> B. ANDREI DATE 2008/08/19		<b>MATERIAL NO.</b> 1065010019		<b>DOCUMENT NO.</b> SD-106501-0019
<b>DRAFT WHERE APPLICABLE MUST REMAIN WITHIN DIMENSIONS</b>		<b>MOLEX MOLEX INCORPORATED</b>						
<b>THIS DRAWING CONTAINS INFORMATION THAT IS PROPRIETARY TO MOLEX INCORPORATED AND SHOULD NOT BE USED WITHOUT WRITTEN PERMISSION</b>								