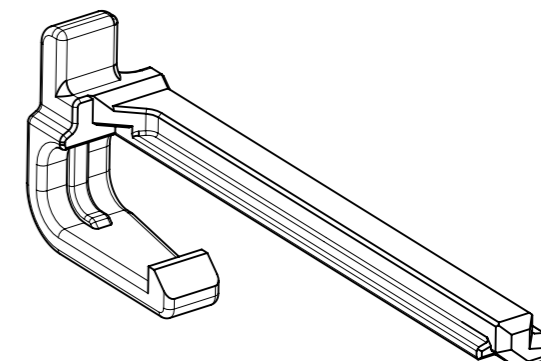
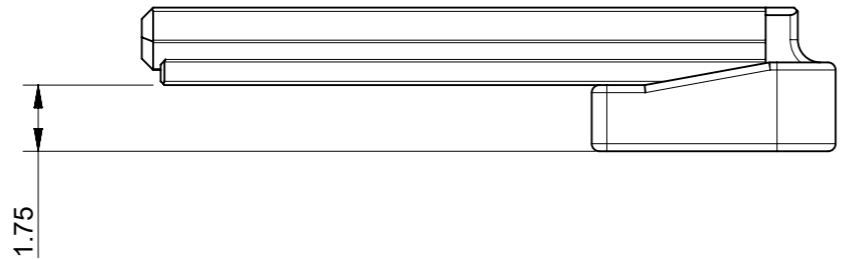
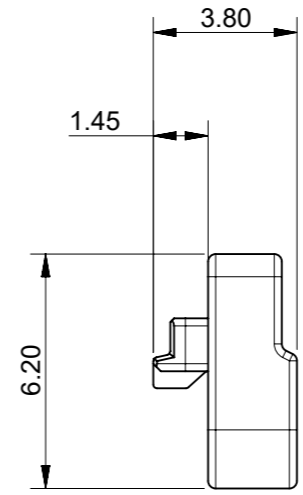
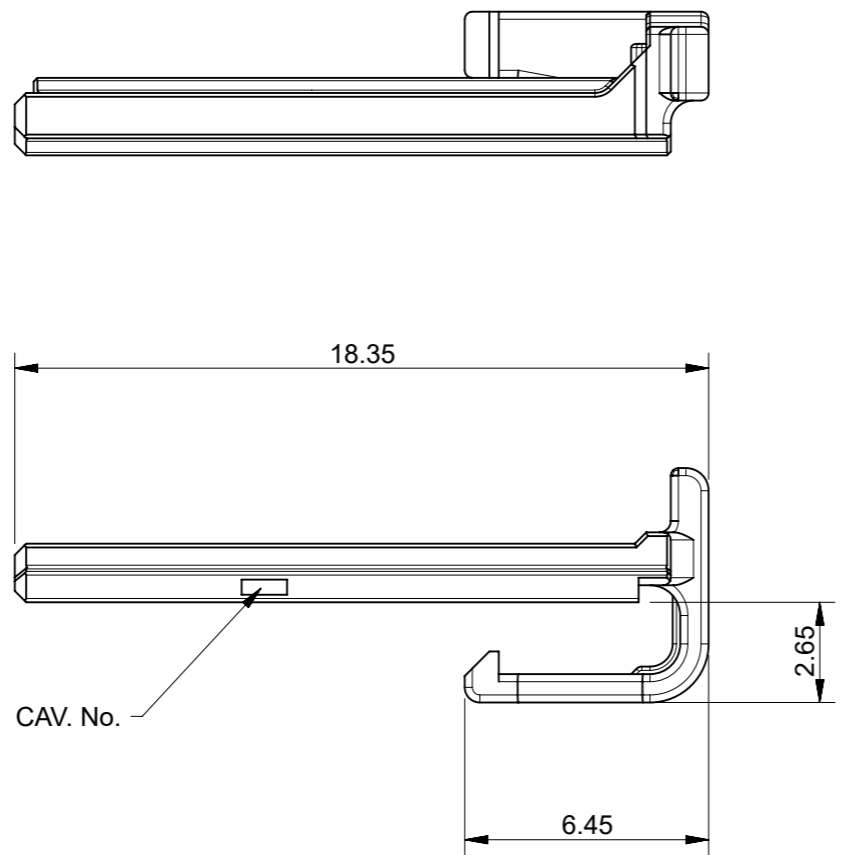
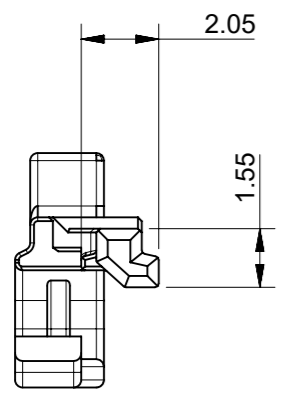


GENERAL TOLERANCE									USED ON	
10 MAX	30 MAX	50 MAX	70 MAX	100 MAX	120 MAX	250 MAX	250 OVER	ANGLE		ECCENT
±0.15	±0.20	±0.30	±0.40	±0.50	±0.75	±0.90	±1.4	±0.5°	0.1	



ISO VIEW



MATERIAL NUMBER

ORDER NO.	MATERIAL NO.	COLOR
560125-0800	5601250800	GRAY

- NOTES:
1. MATERIALS : POLYESTER (PBT)-GF17, UL94 V-0
 2. APPLICABLE HOUSING : 560123 SERIES
 3. GENERAL TOLERANCE : SEE TABLE
 4. EVL AND RoHS COMPLIANT
 5. PRODUCT SPECIFICATION : PS-560123-00*
 6. PACKING SPECIFICATION : PK-560125-001

FUNCTIONAL SYMBOLS	THIS DRAWING CONTAINS INFORMATION THAT IS PROPRIETARY TO MOLEX ELECTRONIC TECHNOLOGIES, LLC AND SHOULD NOT BE USED WITHOUT WRITTEN PERMISSION	CURRENT REV DESC: DRAWING REMASTERED																																																						
	<table border="1"> <tr> <th>FUNCTIONAL SYMBOLS</th> <th>DIMENSION UNITS</th> <th>SCALE</th> </tr> <tr> <td>$\nabla_A = 0$</td> <td>mm</td> <td>5:1</td> </tr> <tr> <td colspan="3">GENERAL TOLERANCES (UNLESS SPECIFIED)</td> </tr> <tr> <td>$\nabla_F = 0$</td> <td colspan="2">ANGULAR TOL ± °</td> </tr> <tr> <td>$\nabla_V = 0$</td> <td colspan="2">4 PLACES ±</td> </tr> <tr> <td rowspan="5">DIVISIONAL SYMBOLS</td> <td>3 PLACES ±</td> <td>EC NO: 641821</td> <td>2020/07/17</td> </tr> <tr> <td>2 PLACES ±</td> <td>DRWN: SAKIM</td> <td>2020/07/27</td> </tr> <tr> <td>1 PLACE ±</td> <td>CHK'D: TOSADA</td> <td>2020/07/27</td> </tr> <tr> <td>0 PLACES ±</td> <td>APPR: TOSADA</td> <td>2020/07/27</td> </tr> <tr> <td colspan="2">INITIAL REVISION:</td> <td>2014/07/09</td> <td>2014/08/26</td> </tr> <tr> <td colspan="2">DRWN: YIBAEK</td> <td>2014/07/09</td> <td>2014/08/26</td> </tr> <tr> <td colspan="2">APPR: SRTAK</td> <td>2014/07/09</td> <td>2014/08/26</td> </tr> <tr> <td colspan="2">DRAFT WHERE APPLICABLE MUST REMAIN WITHIN DIMENSIONS</td> <td>THIRD ANGLE PROJECTION</td> <td>DRAWING</td> <td>SERIES</td> <td>MATERIAL NUMBER</td> <td>CUSTOMER</td> <td>SHEET NUMBER</td> </tr> <tr> <td colspan="2"></td> <td></td> <td>A3-SIZE</td> <td>560125</td> <td>5601250800</td> <td>GENERAL MARKET</td> <td>1 OF 1</td> </tr> </table>	FUNCTIONAL SYMBOLS	DIMENSION UNITS				SCALE	$\nabla_A = 0$	mm	5:1	GENERAL TOLERANCES (UNLESS SPECIFIED)			$\nabla_F = 0$	ANGULAR TOL ± °		$\nabla_V = 0$	4 PLACES ±		DIVISIONAL SYMBOLS	3 PLACES ±	EC NO: 641821	2020/07/17	2 PLACES ±	DRWN: SAKIM	2020/07/27	1 PLACE ±	CHK'D: TOSADA	2020/07/27	0 PLACES ±	APPR: TOSADA	2020/07/27	INITIAL REVISION:		2014/07/09	2014/08/26	DRWN: YIBAEK		2014/07/09	2014/08/26	APPR: SRTAK		2014/07/09	2014/08/26	DRAFT WHERE APPLICABLE MUST REMAIN WITHIN DIMENSIONS		THIRD ANGLE PROJECTION	DRAWING	SERIES	MATERIAL NUMBER	CUSTOMER	SHEET NUMBER				A3-SIZE
FUNCTIONAL SYMBOLS	DIMENSION UNITS	SCALE																																																						
$\nabla_A = 0$	mm	5:1																																																						
GENERAL TOLERANCES (UNLESS SPECIFIED)																																																								
$\nabla_F = 0$	ANGULAR TOL ± °																																																							
$\nabla_V = 0$	4 PLACES ±																																																							
DIVISIONAL SYMBOLS	3 PLACES ±	EC NO: 641821	2020/07/17																																																					
	2 PLACES ±	DRWN: SAKIM	2020/07/27																																																					
	1 PLACE ±	CHK'D: TOSADA	2020/07/27																																																					
	0 PLACES ±	APPR: TOSADA	2020/07/27																																																					
	INITIAL REVISION:		2014/07/09	2014/08/26																																																				
DRWN: YIBAEK		2014/07/09	2014/08/26																																																					
APPR: SRTAK		2014/07/09	2014/08/26																																																					
DRAFT WHERE APPLICABLE MUST REMAIN WITHIN DIMENSIONS		THIRD ANGLE PROJECTION	DRAWING	SERIES	MATERIAL NUMBER	CUSTOMER	SHEET NUMBER																																																	
			A3-SIZE	560125	5601250800	GENERAL MARKET	1 OF 1																																																	
NEW 2.0 PITCH W/B CONN. REC. 8WAY ISL DURACLICK ISL SERIES				PRODUCT CUSTOMER DRAWING																																																				
DOCUMENT NUMBER				DOC TYPE	DOC PART	REVISION																																																		
SD-560125-005				PSD	001	A1																																																		