

BASIC PART NUMBER: 83808- X X X X X X X

CARD TYPE: I  
CARD TYPE: II

I/O: CLOSED WITH GROUND CONTACT  
I/O: 1 CONNECTOR  
I/O: 2 CONNECTORS

LABEL RECESS: NO  
LABEL RECESS: YES

INSULATOR: NO  
INSULATOR: YES

CARDBUS: NO  
CARDBUS: YES

PACKAGING: 1000Pcs/BOX  
PACKAGING: 200Pcs/BOX

ALL PART NUMBER: RoHS COMPLIANT SPECIFICATION

1  
2  
0  
1  
2  
0  
1  
0  
1  
Blank  
S  
Blank  
LF

83808-XXXXXX IS SIMILAR TO 83808-XXXXXXLF, THE SUFFIX "LF" IS ADDED FOR LEAD FREE IDENTIFICATION  
THIS PRODUCT MEETS EUROPEAN UNION DIRECTIVES AND OTHER COUNTRY REGULATIONS AS PER GS-22-008. PACKAGING SPECIFICATION GS-14-920

PROPERTIES:

CARD SHIELD: STAINLESS STEEL, THICKNESS 0.2mm  
SURFACE FINISH: MATTE  
FRAME BAR: PPO, COLOR BLACK, UL94V-0  
INSULATOR: DIELECTRIC STRENGTH 2500V

mat'l. code				surface <input checked="" type="checkbox"/> ISO 1302		tolerance <input checked="" type="checkbox"/> ISO 406 <input type="checkbox"/> ISO 1101		projection		product family PCMCIA			
Ltr	ecn no	dr	date	tolerances unless otherwise specified		angles		mm		title ROCARD SHIELD			
H	F10514	DLE	01.09.07					scale 1:1		dwg no		sheet 1 of 10	size
J	F05-0254	DLE	05.09.26							83808			A4
K	F06-0138	DLE	06.02.27							type CUSTOMER Drawing			
L	F06-0138	DLE	06.02.27	dr	D LEGRAND	01.09.07							
M	F06-0248	DLE	06.07.28	enr	F HAUTIER	99.04.29							
				chr	D LEGRAND	99.04.29							
G	F00439	DLE	00.06.19	app	F HAUTIER	99.04.29							
sheet index	revision sheet	M	G	G	G	G	G	F	F	F	F		
		1	2	3	4	5	6	7	8	9	10		

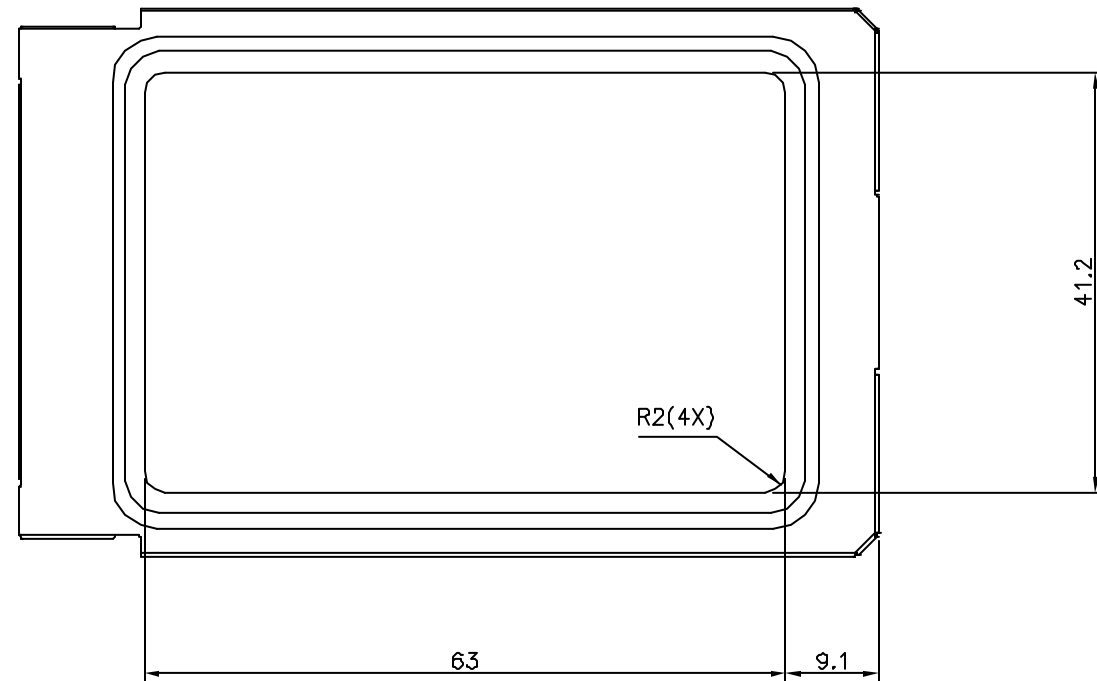
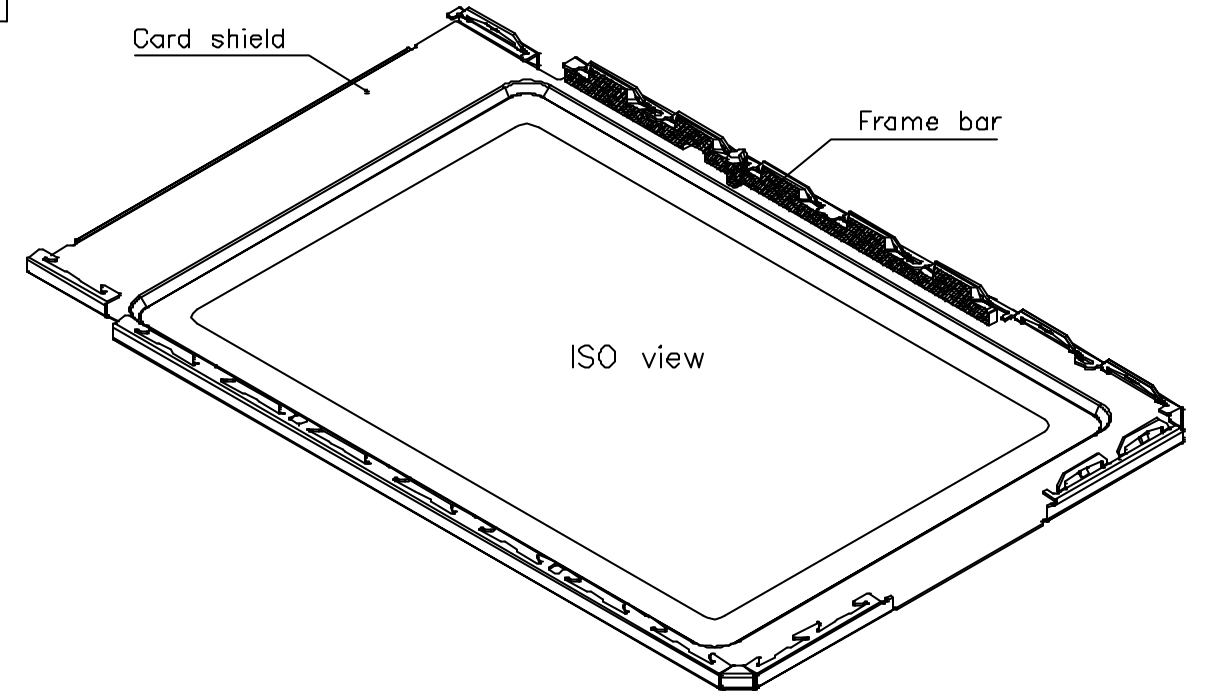
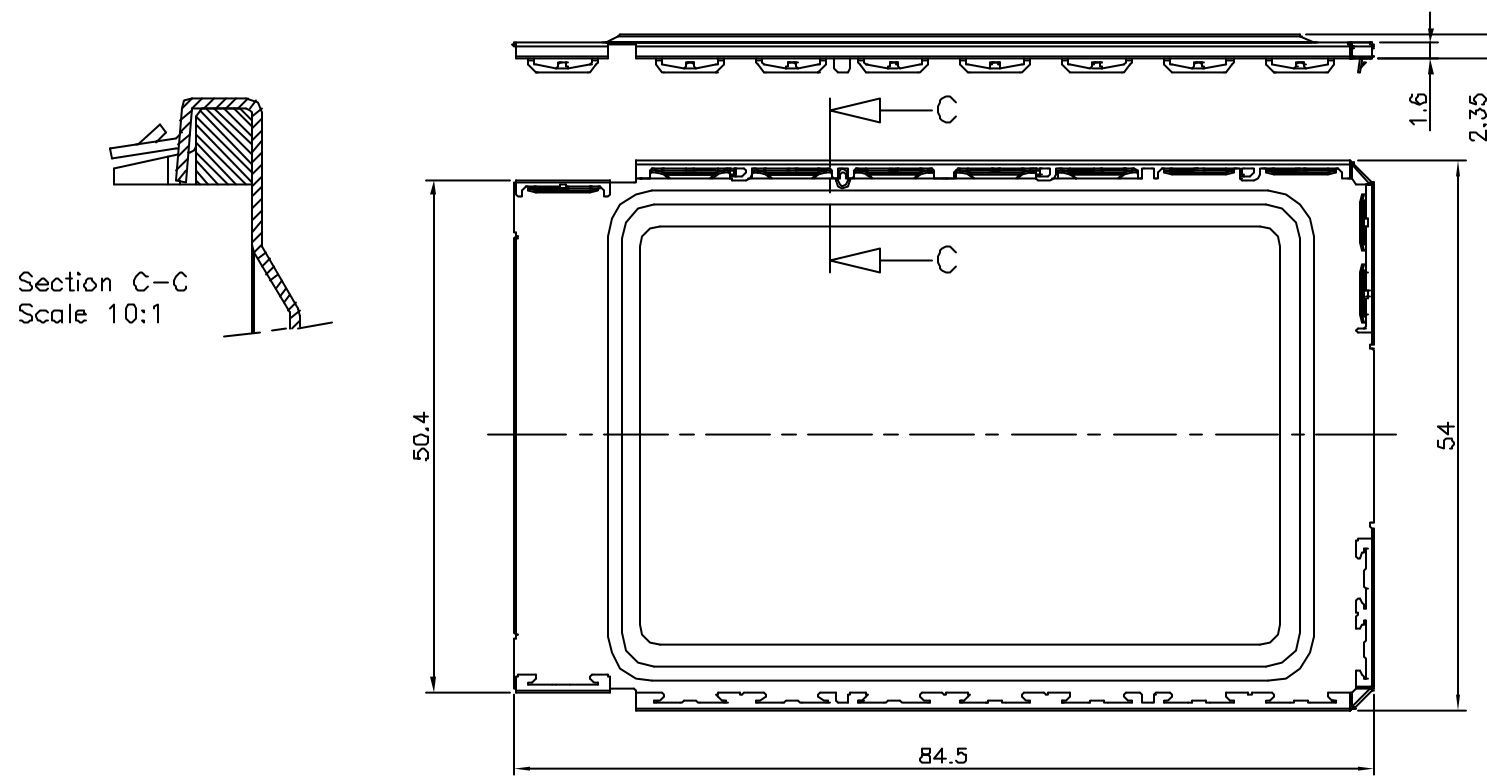


Copyright FCJ

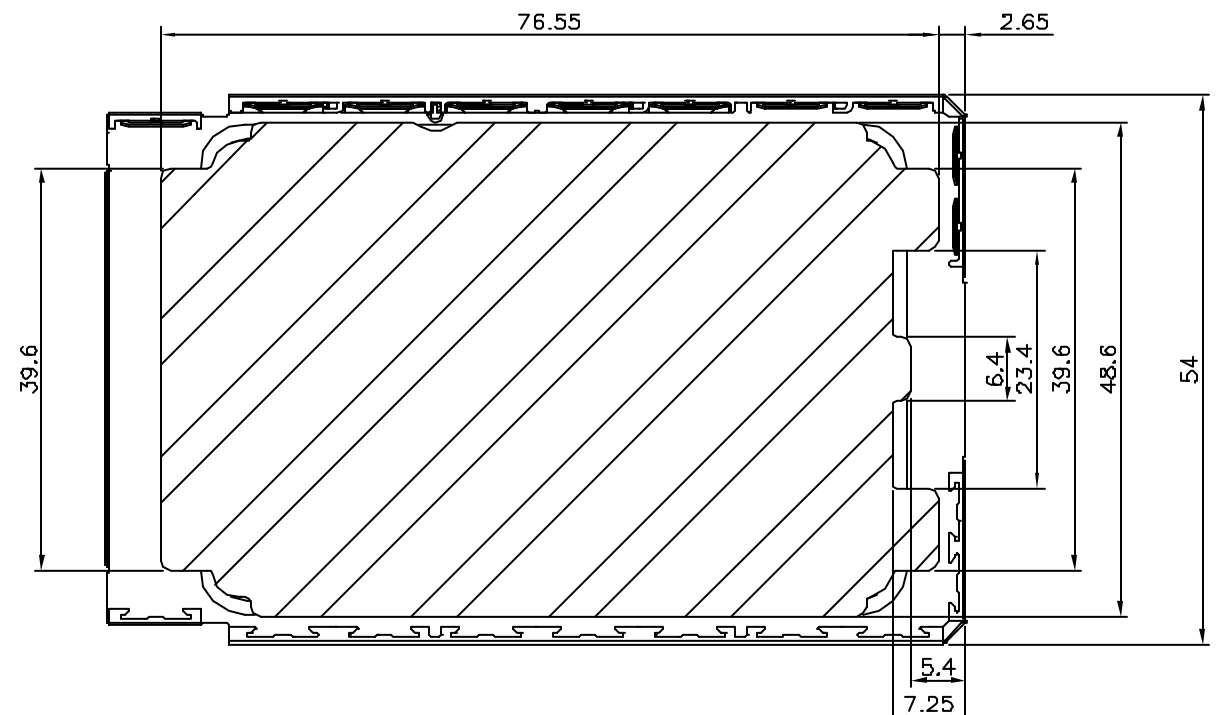
FCJconnect.com

Product number	Insulator	Label recess
83808-21000LF	no	no
83808-21010LF	yes	no
83808-21100LF	no	yes
83808-21110LF	yes	yes

Product number	Packaging
83808-xxxxxLF	1000 Rocard Shield/Box
83808-xxxxxSLF	200 Rocard Shield/Box



Version: Label recess  
(maximum label thickness 0.07 mm)

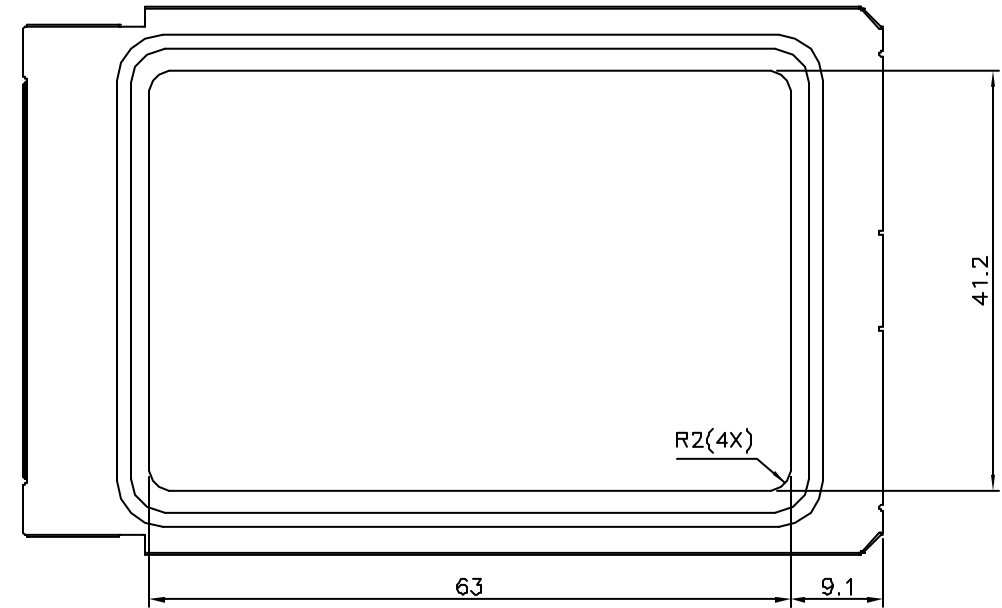
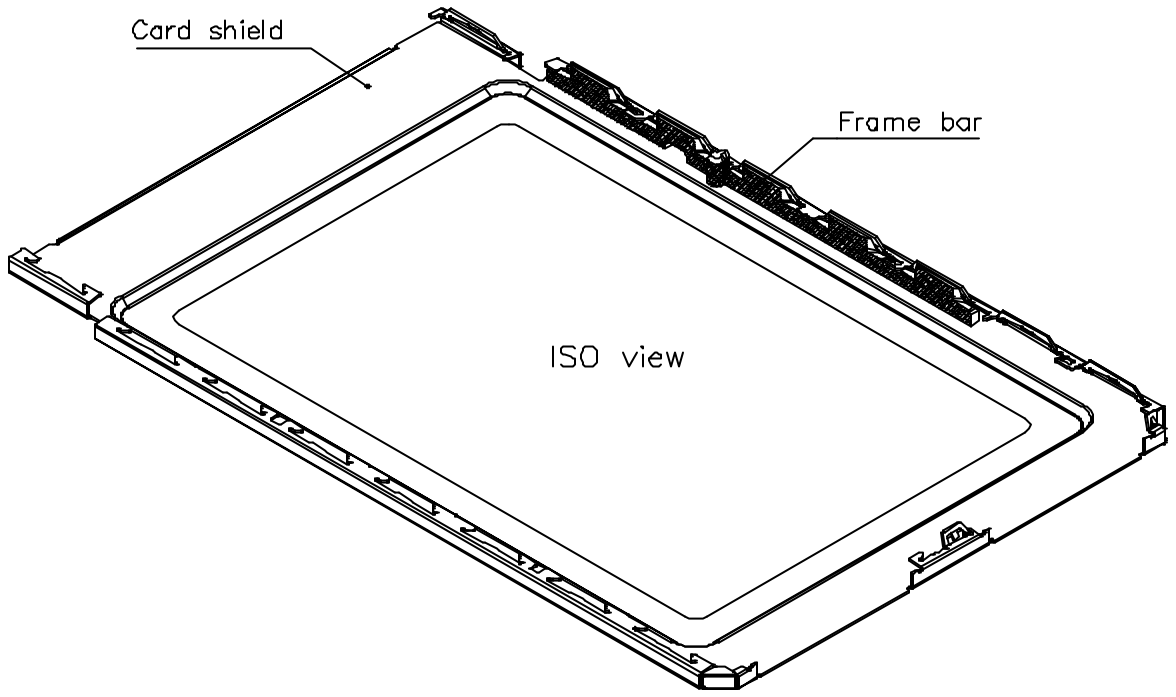
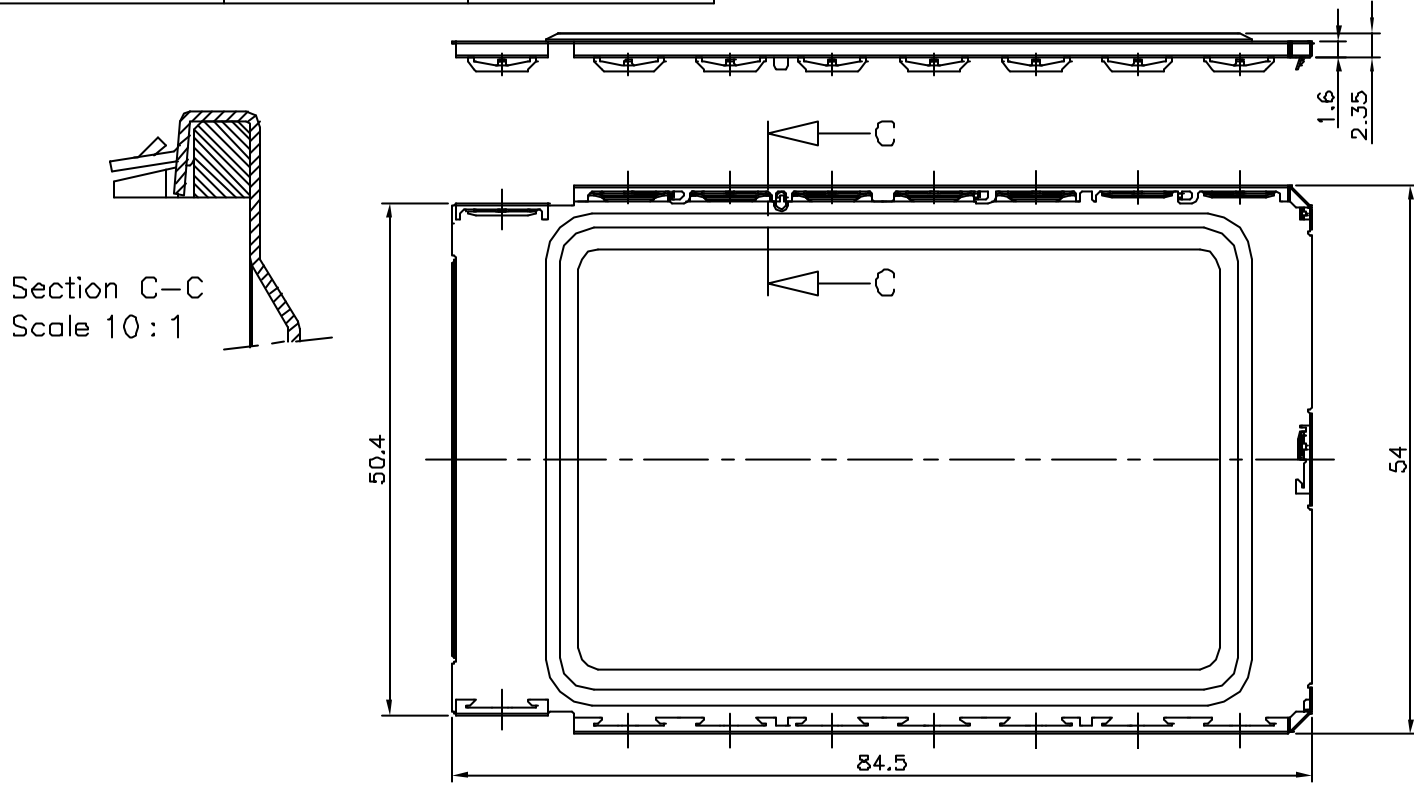


Version: Insulator  
(thickness 0.07 mm)

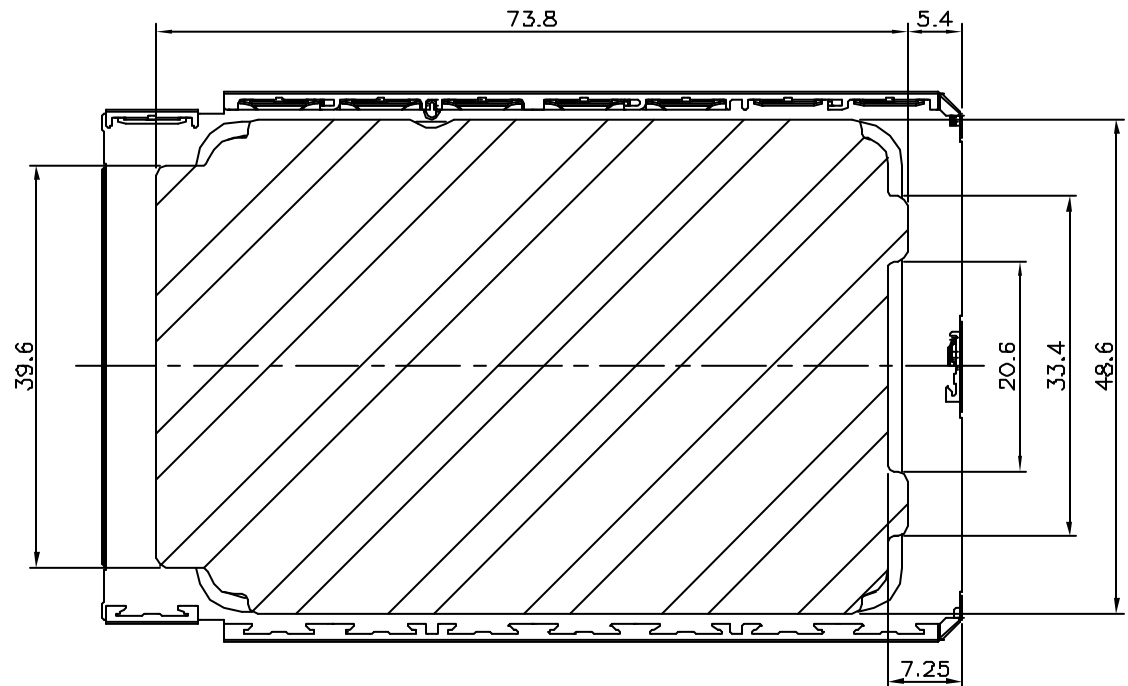
lfr	ecr	no	dr	date	surface	tolerance	projection	product family
A	H80049	GCA	98.02.12		ISO 1302	ISO 416 ISO 1101	mm	PCMCIA
B	F80195	GCA	98.04.08		tolerance unless otherwise specified			title
C	F90323	DLE	99.05.04		angles	linear	scale 2:1	ROCARD SHIELD TYPE II, 1x1/0
D	F10514	DLE	01.08.07	dr	H VEREUKEN	98.02.12		sheet 2 of -
E	F05-0254	DLE	05.09.26	enfr	F HAUTIER	99.05.04		83808
F	F08-0138	DLE	06.02.27	chr	D LEGRAND	99.05.04		Az
G	F06-0248	DLE	06.07.28	appd	F HAUTIER	99.05.04		type
sheet	revision							CUSTOMER Drawing
index	sheet							

Product number	Insulator	Label recess
83808-22000LF	no	no
83808-22010LF	yes	no
83808-22100LF	no	yes
83808-22110LF	yes	yes

Product number	Packaging
83808-xxxxxLF	1000 Rocard Shield/Box
83808-xxxxxSLF	200 Rocard Shield/Box



Version: Label recess  
(maximum label thickness 0.07 mm)

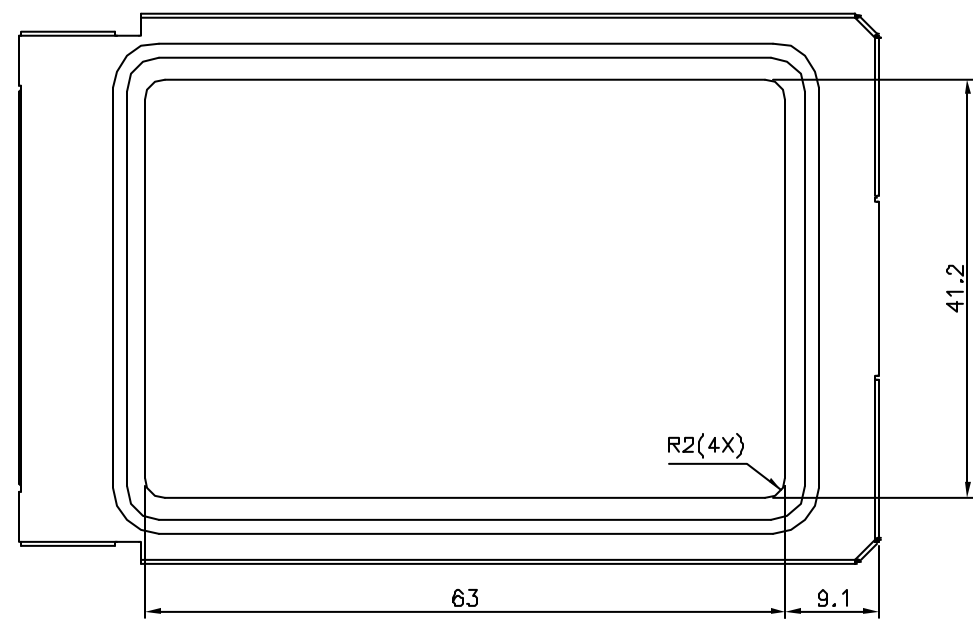
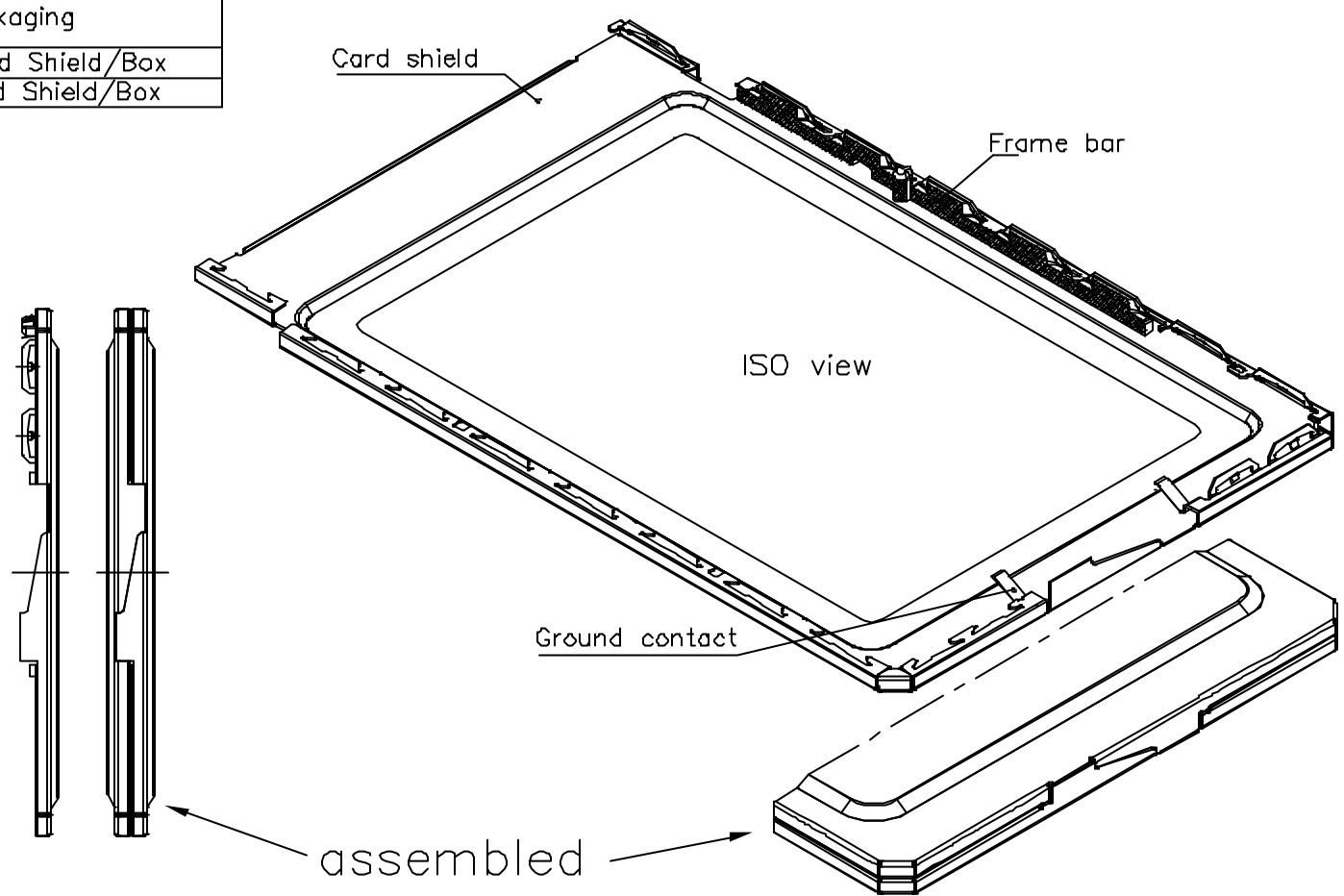
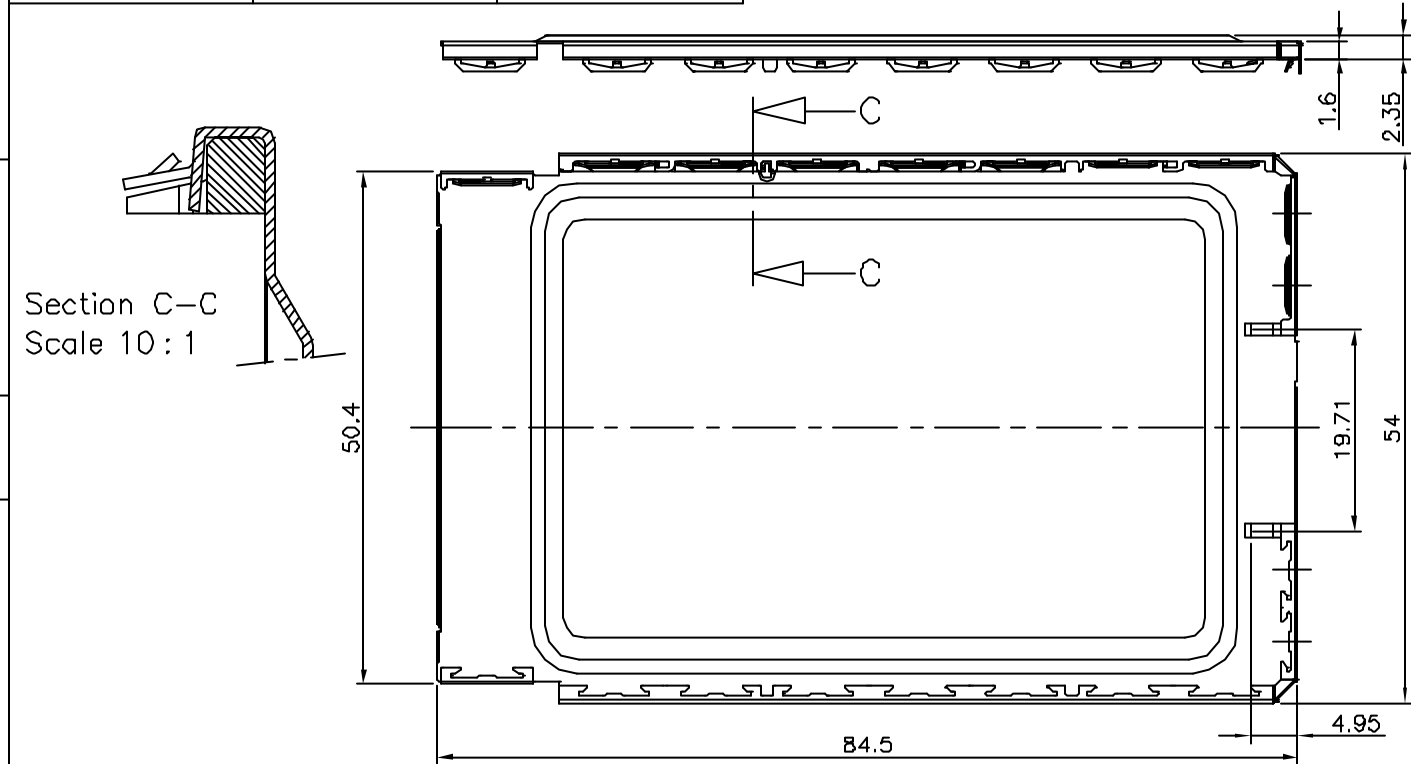


Version: Insulator  
(thickness 0.07 mm)

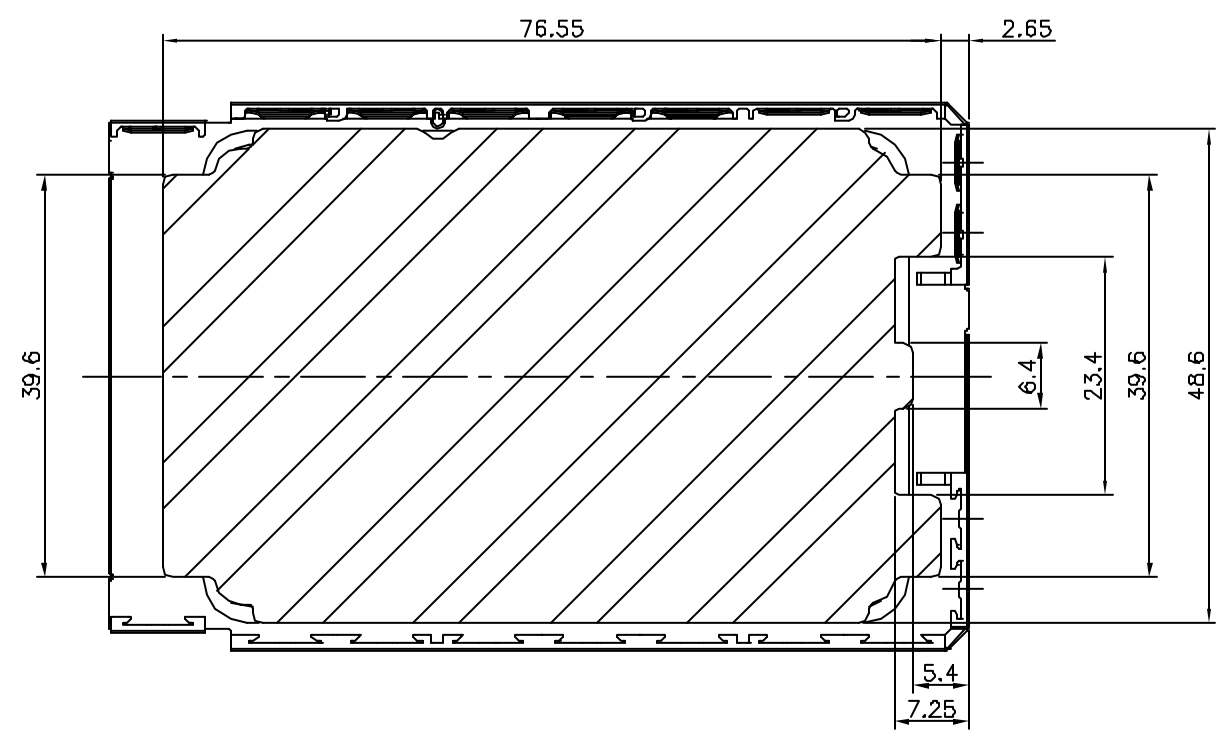
lfr	ecr	no	dr	date	surface	tolerance	projection	product family
A	H80049	GCA		98.02.12	ISO 1302	ISO 416 ISO 1101	mm	PCMCIA
B	F80195	GCA		98.04.08	tolerance unless otherwise specified		mm	title
C	F90323	DLE		99.05.04	angles	linear	scale 2:1	ROCARD SHIELD TYPE II, 2x1/0
D	F10514	DLE	01.08.07	dr	H VEREUKEN	98.02.12		sheet 3 of -
E	F05-0254	DLE	05.09.26	engr	F HAUTIER	99.05.04		83808
F	F08-0138	DLE	06.02.27	chr	D LEGRAND	99.05.04		Az
G	F06-0248	DLE	06.07.28	app	F HAUTIER	99.05.04		type
sheet	revision							CUSTOMER Drawing
index	sheet							

Product number	Insulator	Label recess
83808-2000OLF	no	no
83808-2001OLF	yes	no
83808-2010OLF	no	yes
83808-2011OLF	yes	yes

Product number	Packaging
83808-xxxxxLF	1000 Rocard Shield/Box
83808-xxxxxSLF	200 Rocard Shield/Box



Version: Label recess  
(maximum label thickness 0.07 mm)

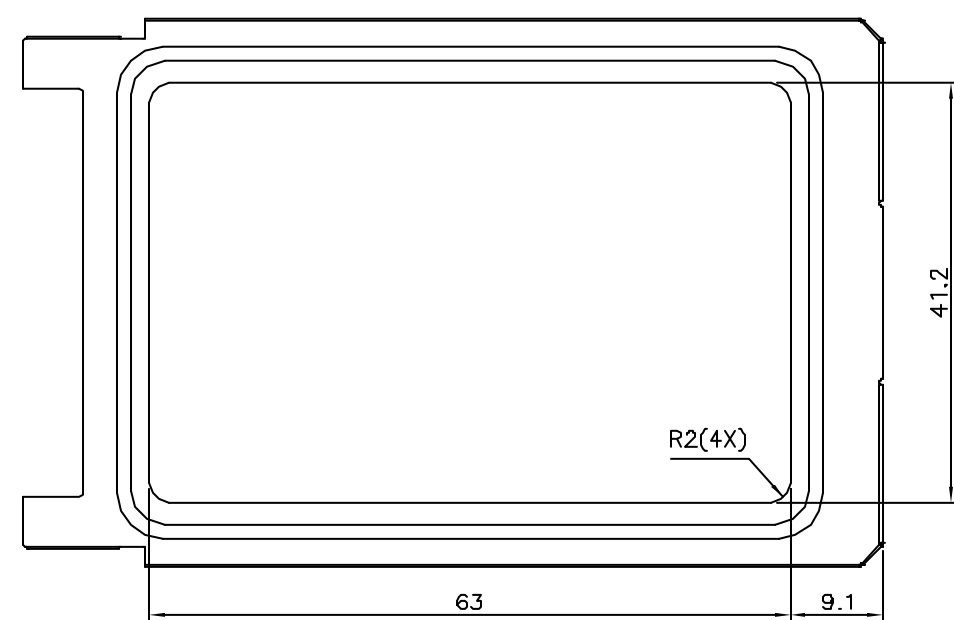
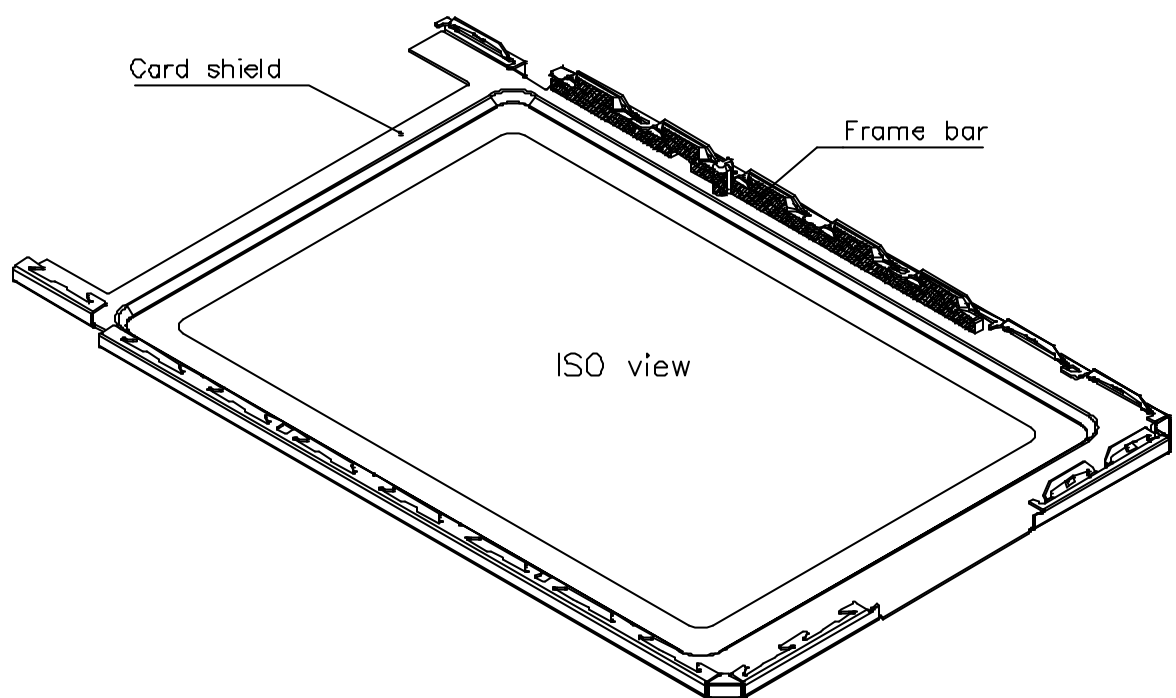
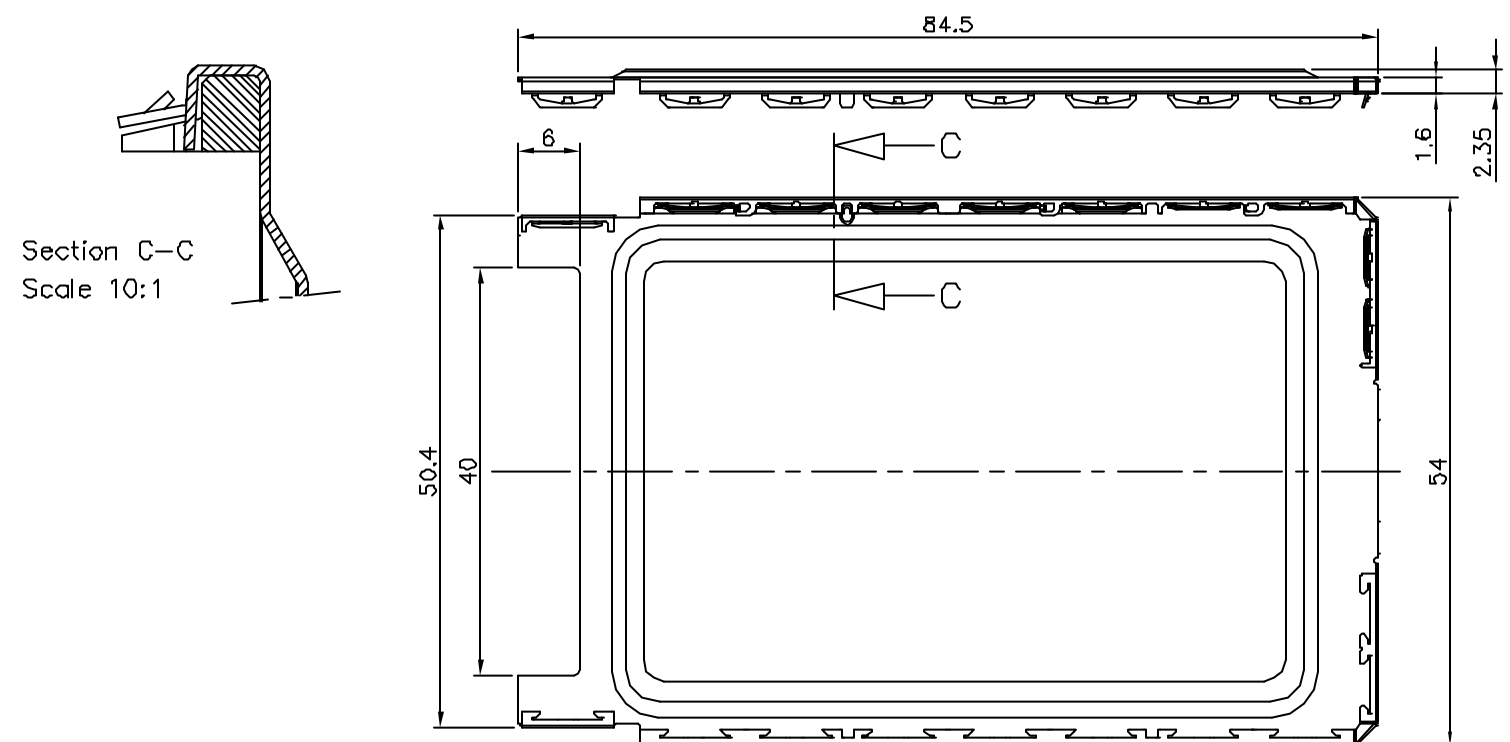


Version: Insulator  
(thickness 0.07 mm)

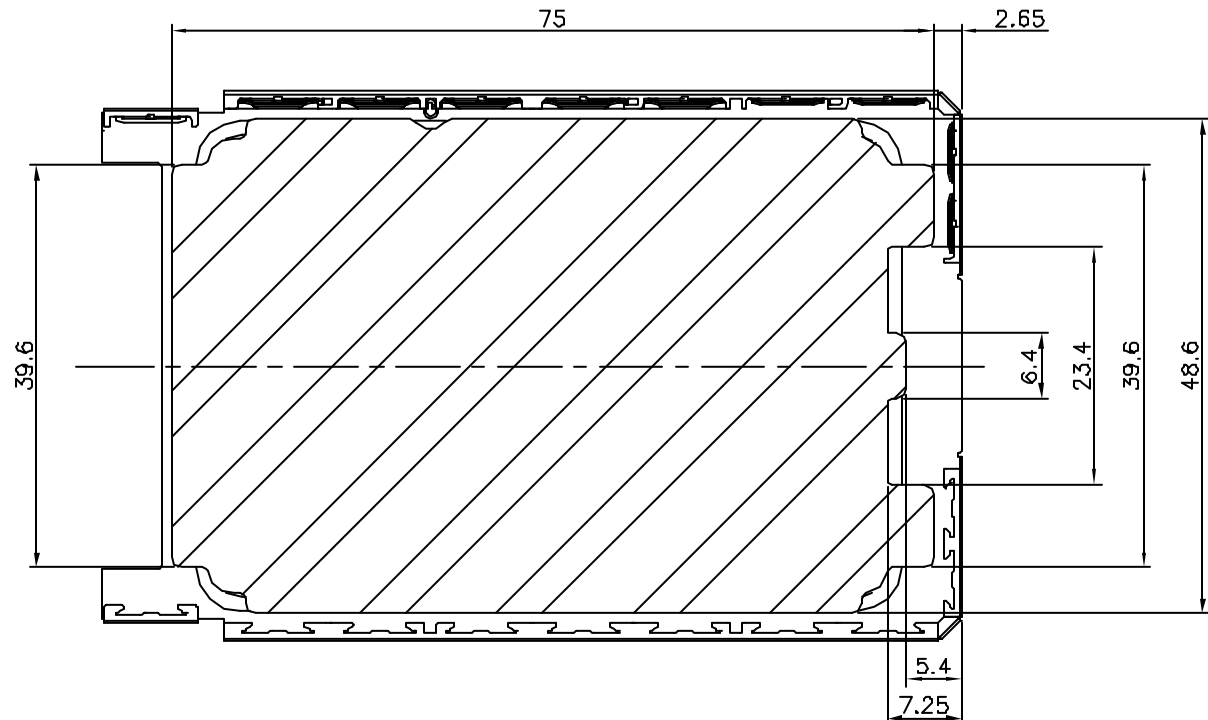
lfr	ecn	no	dr	date	surface	tolerance	projection	product family
A	H80049	GCA	98.02.12		ISO 1302	ISO 416 ISO 1101	mm	PCMCIA
B	F80195	GCA	98.04.08		tolerance unless otherwise specified			title
C	F80323	DLE	99.05.04		angles	linear	scale 2:1	ROCARD SHIELD TYPE II, CLOSED END
D	F10514	DLE	01.08.07	dr	H VEREUKEN	98.02.12		sheet 4 of -
E	F05-0254	DLE	05.09.26	enfr	F HAUTIER	99.05.04		83808
F	F08-0138	DLE	06.02.27	chr	D LEGRAND	99.05.04		Az
G	F06-0248	DLE	06.07.28	app	F HAUTIER	99.05.04		type
sheet index	revision	sheet						CUSTOMER Drawing

Product number	Insulator	Label recess
83808-21001LF	no	no
83808-21011LF	yes	no
83808-21101LF	no	yes
83808-21111LF	yes	yes

Product number	Packaging
83808-xxxxxLF	1000 Rocard Shield/Box
83808-xxxxxSLF	200 Rocard Shield/Box



Version: Label recess  
(maximum label thickness 0.07 mm)

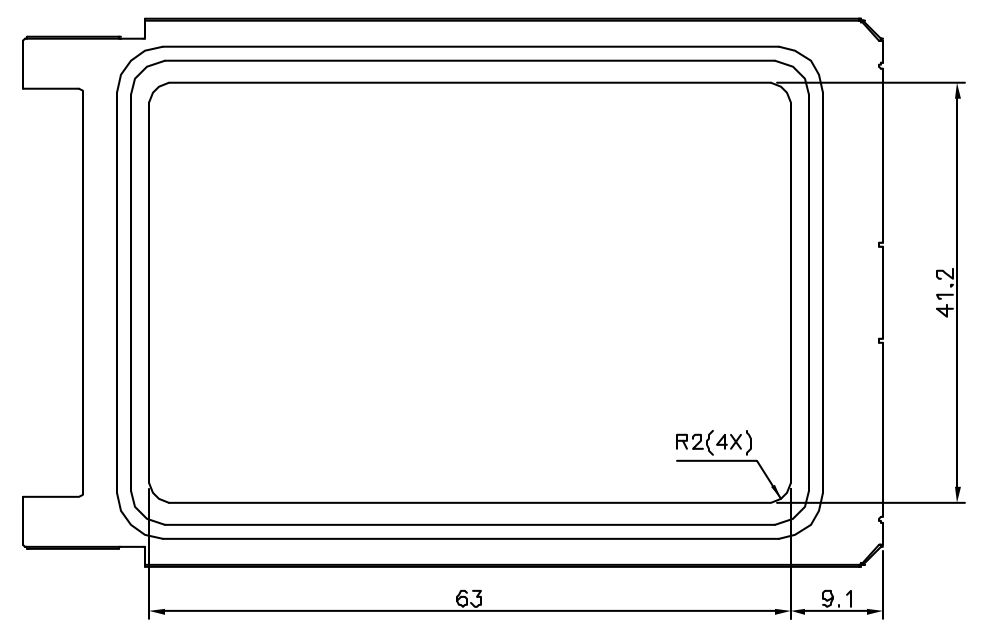
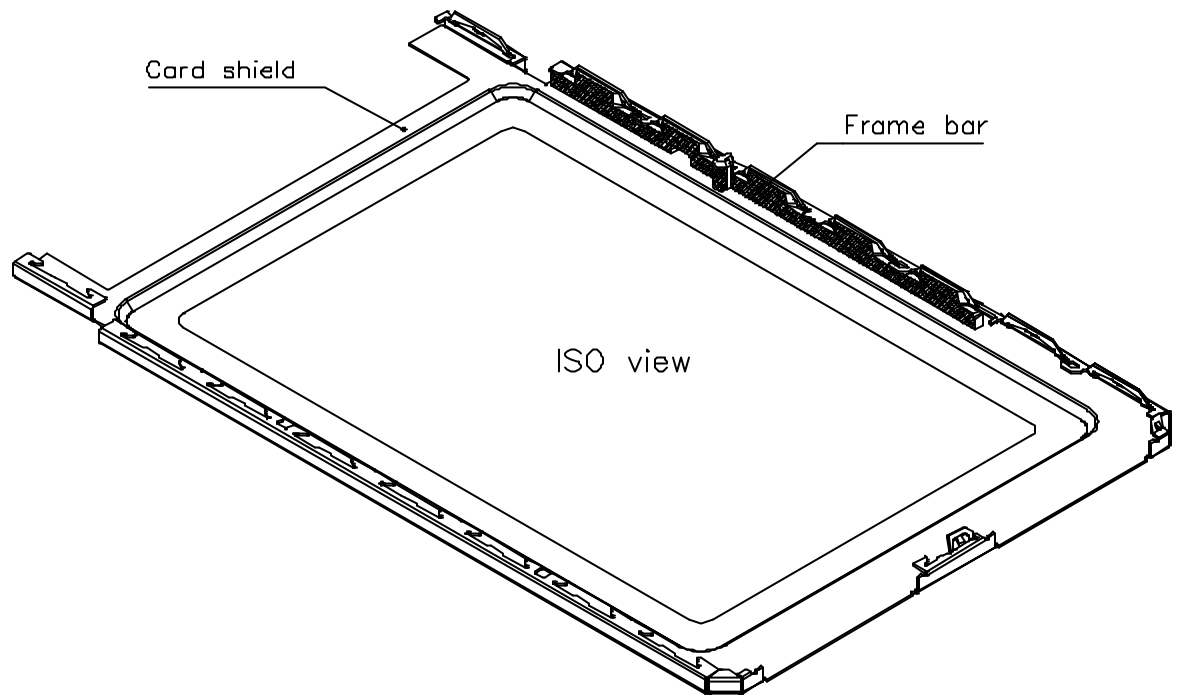
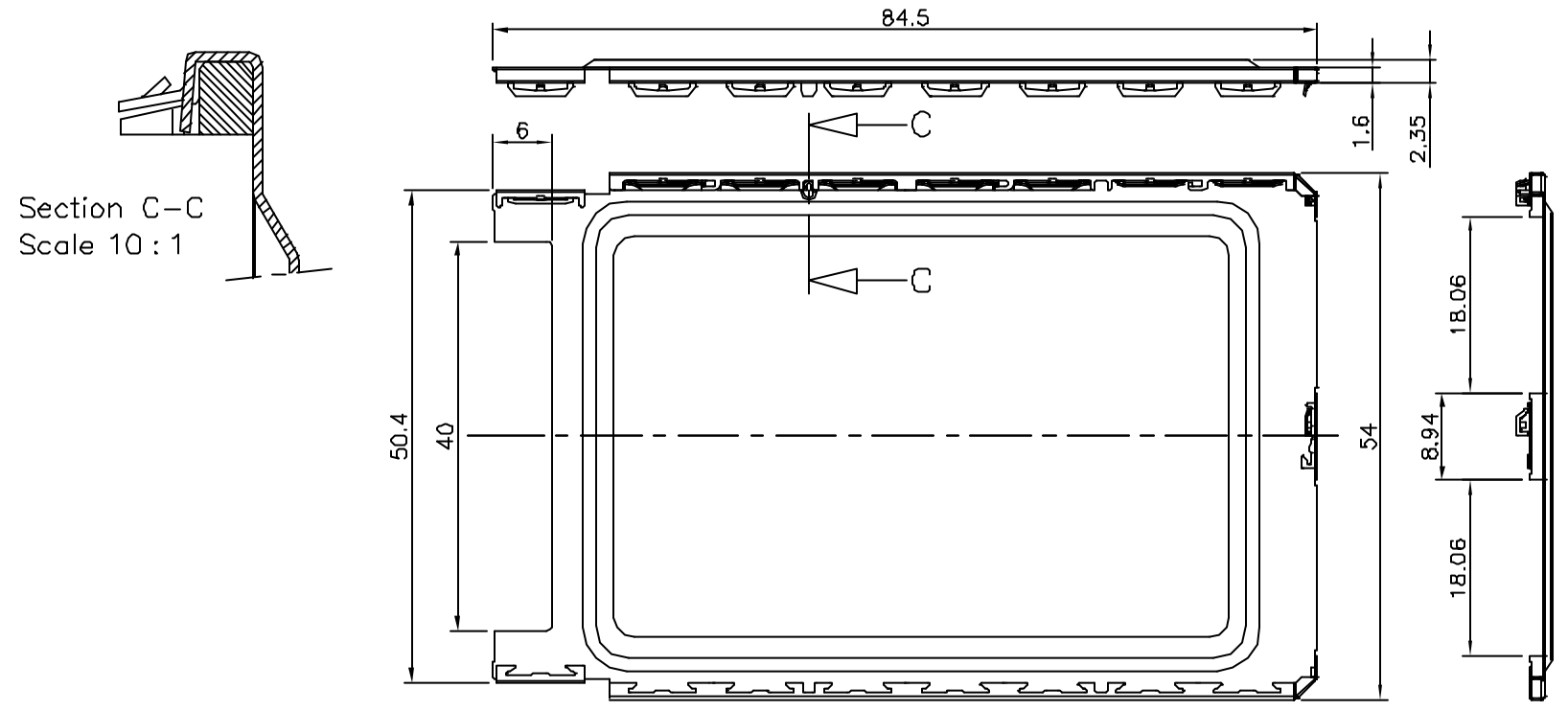


Version: Insulator  
(thickness 0.07 mm)

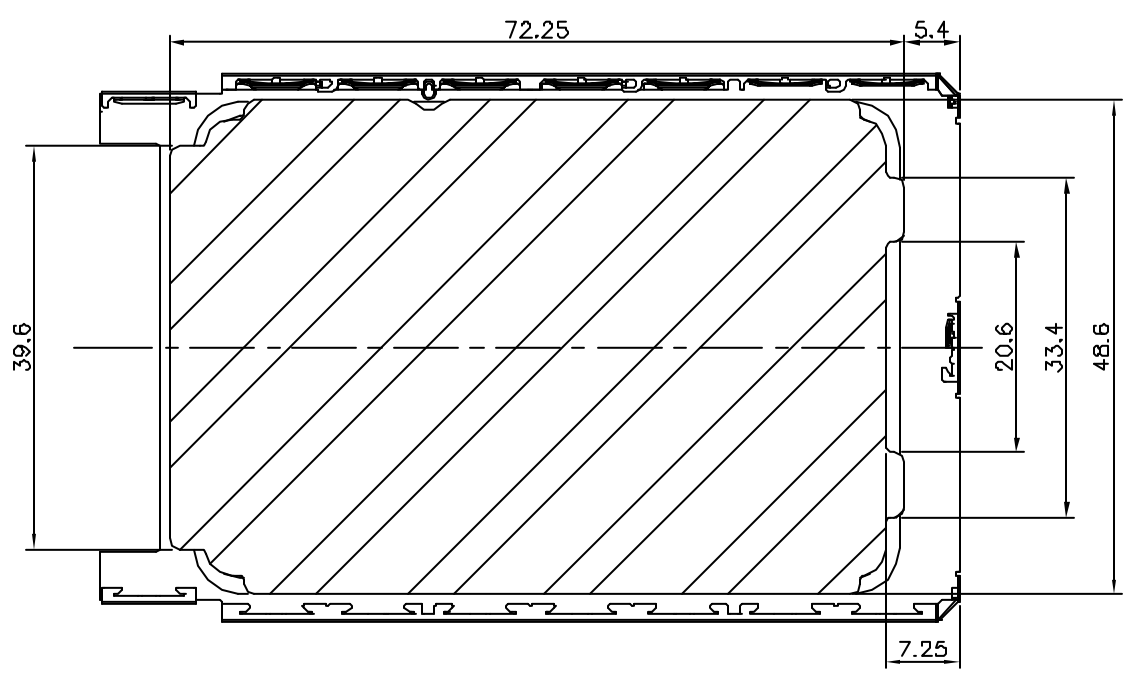
lfr	ecr	no	dr	date	surface	tolerance	projection	product family
A	H80049	GCA	98.02.12		ISO 1302	ISO 416 ISO 1101	mm	PCMCIA
B	F80195	GCA	98.04.08		tolerance unless otherwise specified			title
C	F90323	DLE	99.05.04		angles	linear	scale 2:1	ROCARD SHIELD TYPEII, 1x1/0, CARDBUS
D	F10514	DLE	01.08.07	dr	H VEREUKEN	98.02.12		sheet 5 of -
E	F05-0254	DLE	05.09.26	enfr	F HAUTIER	99.05.04		83808
F	F08-0138	DLE	06.02.27	chr	D LEGRAND	99.05.04		Az
G	F06-0248	DLE	06.07.28	app	F HAUTIER	99.05.04		type
sheet index	revision	sheet						CUSTOMER Drawing

Product number	Insulator	Label recess
83808-22001LF	no	no
83808-22011LF	yes	no
83808-22101LF	no	yes
83808-22111LF	yes	yes

Product number	Packaging
83808-xxxxxLF	1000 Rocard Shield/Box
83808-xxxxxSLF	200 Rocard Shield/Box



Version: Label recess  
(maximum label thickness 0.07 mm)

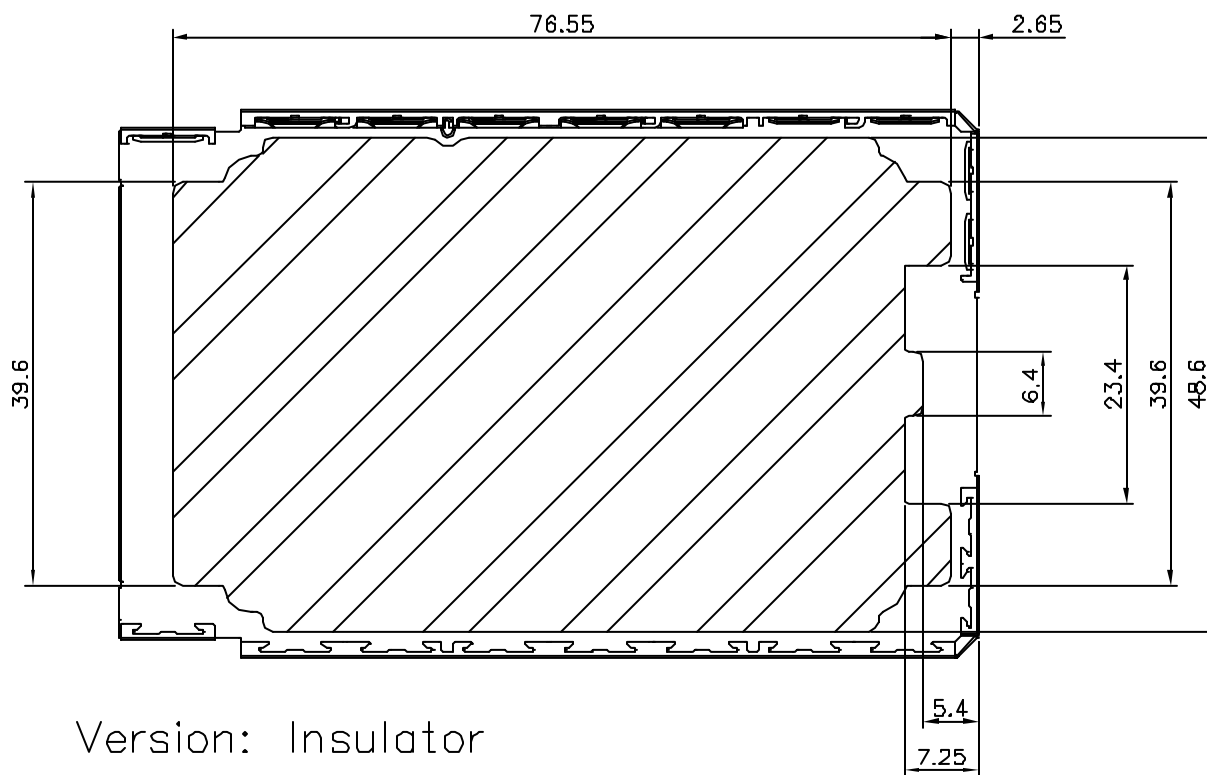
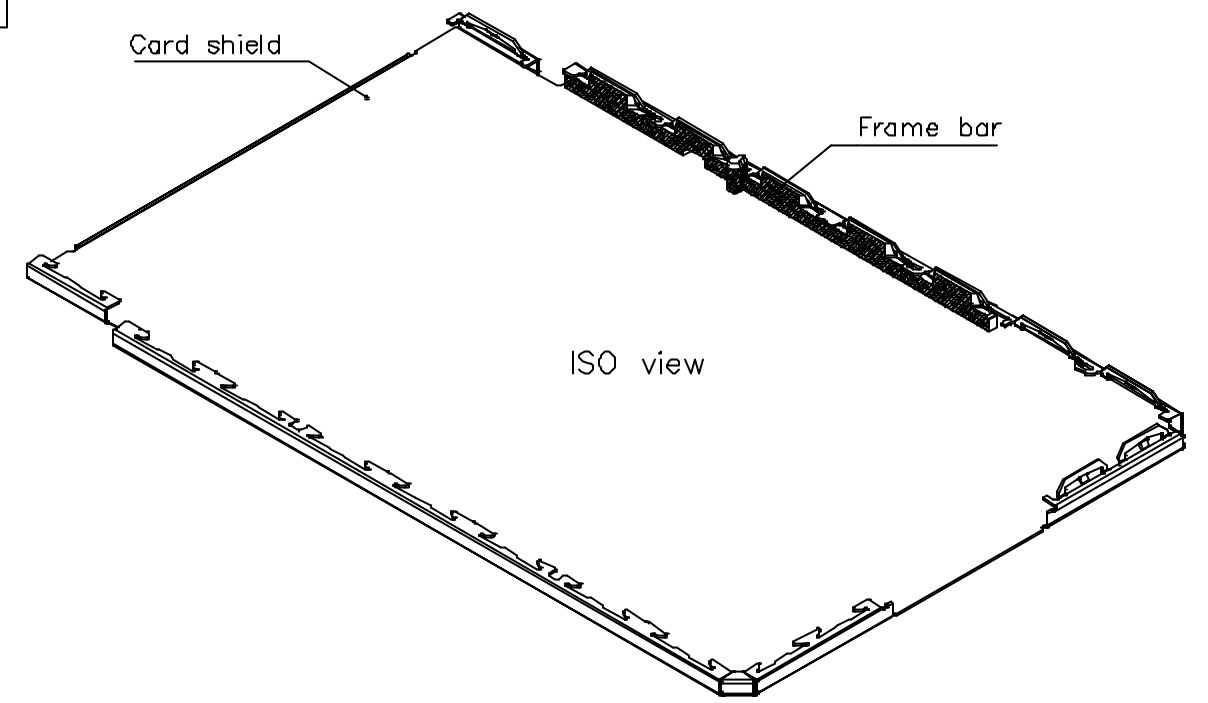
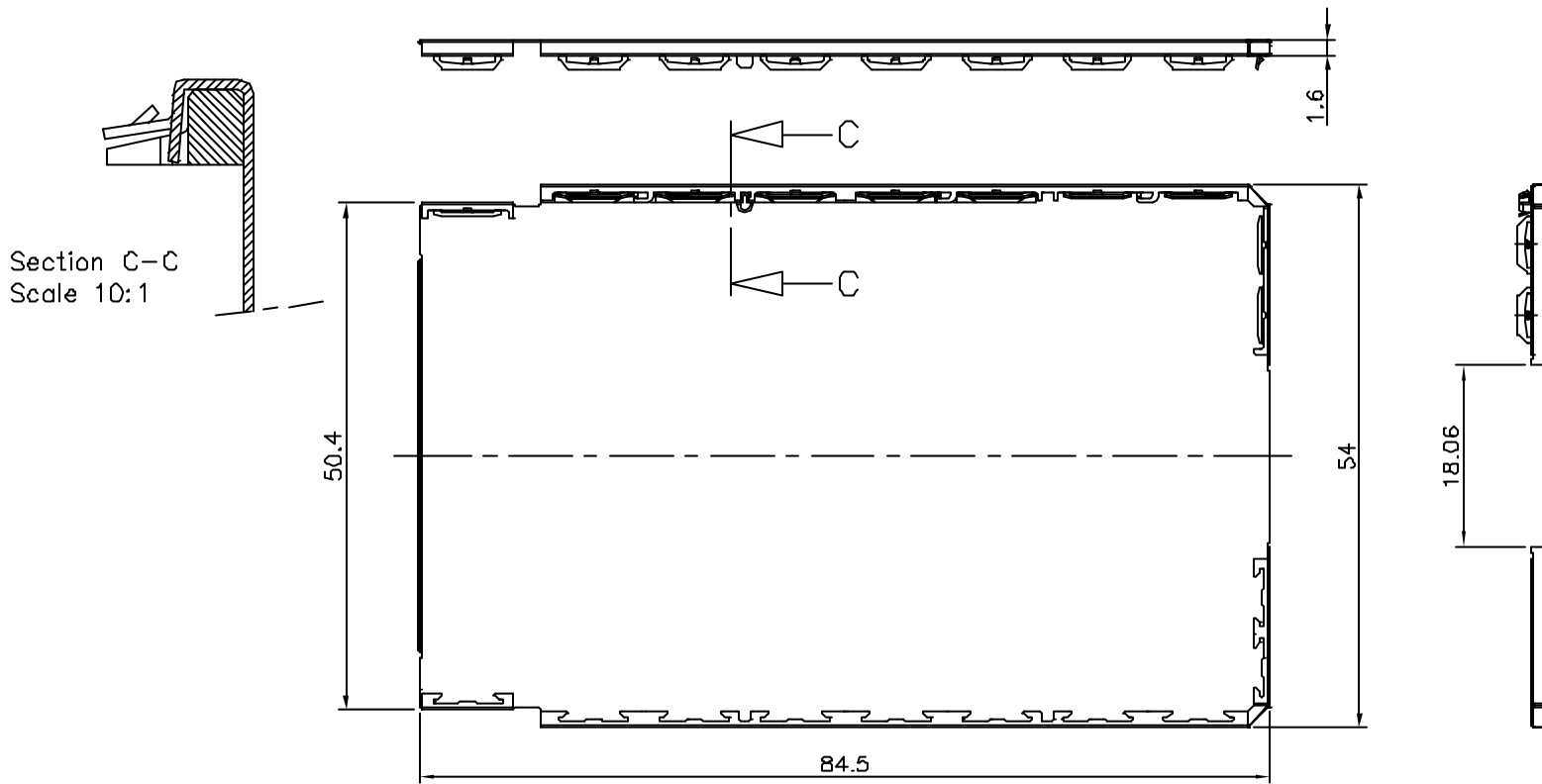


Version: Insulator  
(thickness 0.07 mm)

lfr	ecr	no	dr	date	surface	tolerance	projection	product family
A	H80049	GCA		98.02.12	ISO 1302	ISO 416 ISO 1101	mm	PCMCIA
B	F80195	GCA		98.04.08	tolerance unless otherwise specified		mm	title
C	F80323	DLE		99.05.04	angles	linear	scale 2:1	ROCARD SHIELD
D	F10514	DLE	01.08.07	dr	H VEREUKEN	98.02.12		TYPE II,2xI/O,CARBUS
E	F05-0254	DLE	05.09.26	enfr	F HAUTIER	99.05.04		sheet B of - size
F	F08-0138	DLE	06.02.27	chr	D LEGRAND	99.05.04		83808
G	F06-0248	DLE	06.07.28	appd	F HAUTIER	99.05.04		Az
sheet	revision							type
index	sheet							CUSTOMER Drawing

Product number	Insulator
83808-11000LF	no
83808-11010LF	yes

Product number	Packaging
83808-xxxxxLF	1000 Rocard Shield/Box
83808-xxxxxSLF	200 Rocard Shield/Box

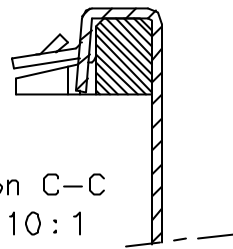


Version: Insulator  
(thickness 0.07 mm)

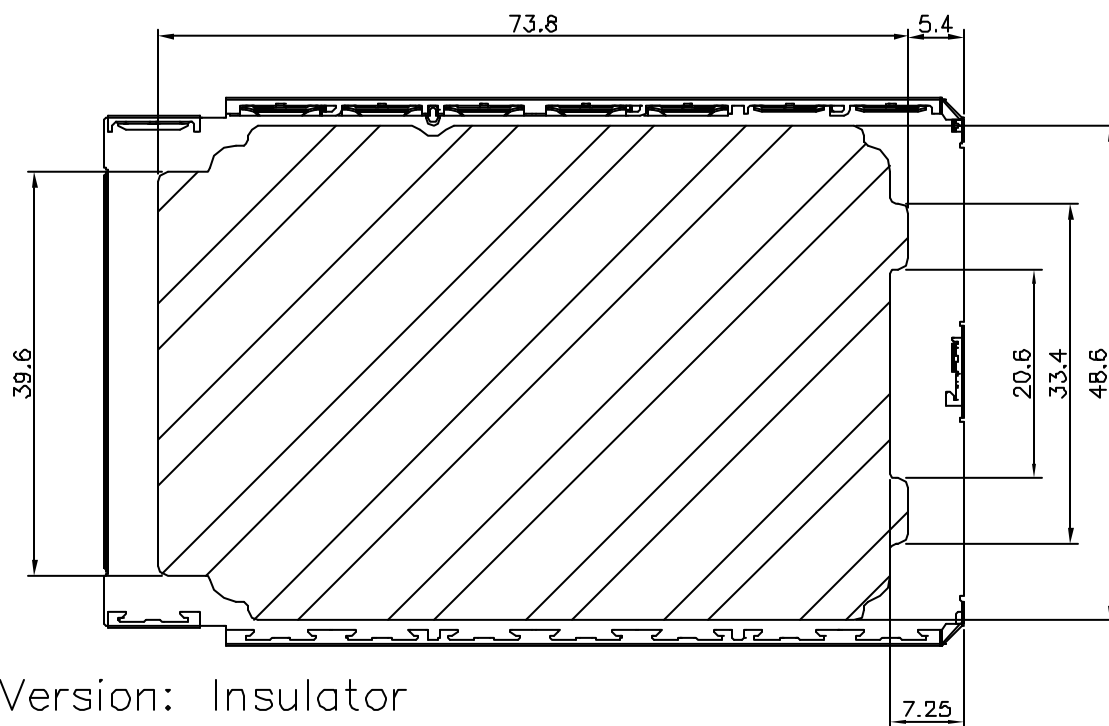
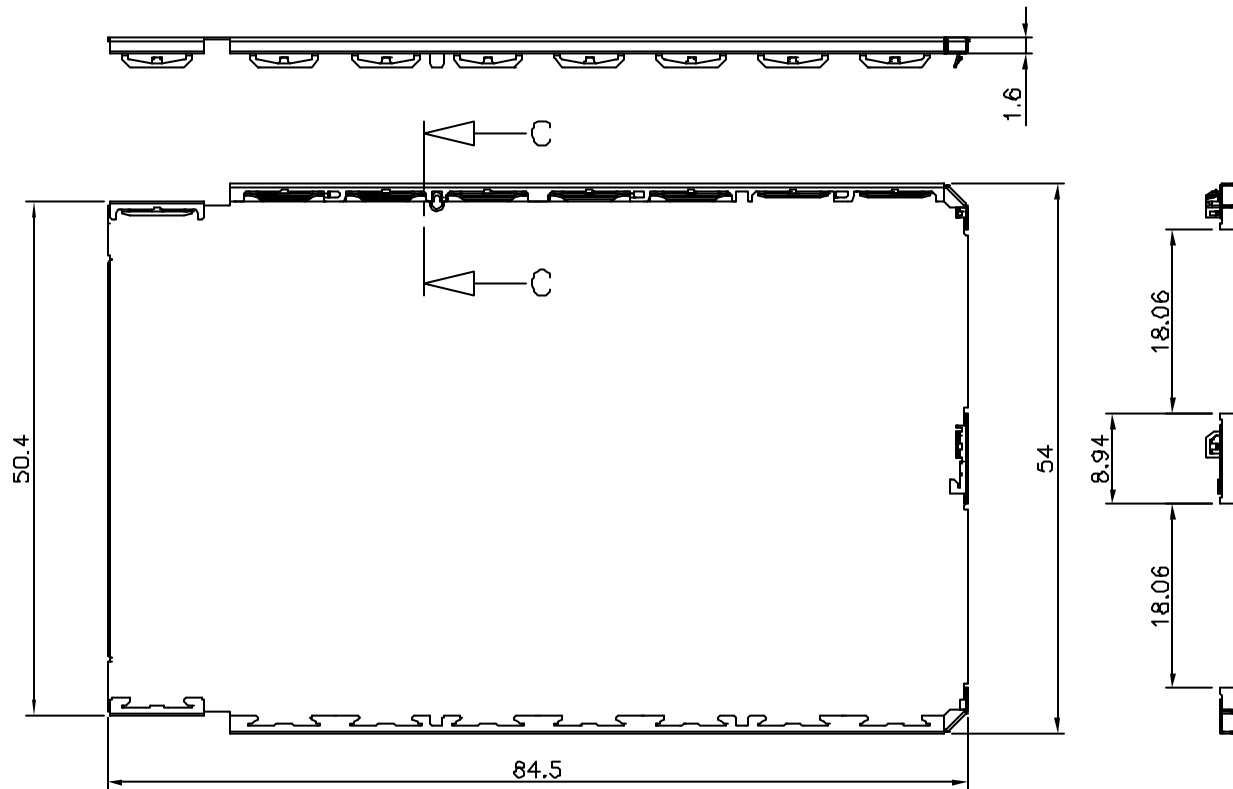
mat'l code	surface	tolerance	projection	product family
	ISO 1302	ISO 416 ISO 1101		PCMCIA
lfr ecn no dr date	tolerance unless otherwise specified	angles	linear	title
A F80195 GCA 98.04.08			mm	ROCARD SHIELD
B F90323 DLE 99.05.04			scale 2:1	TYPE I, 1x1/0
C F10514 DLE 01.09.07				dwg no
D F05-0254 DLE 05.08.28	dr H VEREUKEN 98.02.12			sheet 7 of -
E F08-0138 DLE 06.02.27	engr F HAUTIER 99.05.04			size
F F08-0248 DLE 06.07.28	chr D LEGRAND 99.05.04			A2
	app F HAUTIER 99.05.04			type
				CUSTOMER Drawing
sheet index	revision sheet			

Product number	Insulator
83808-12000LF	no
83808-12010LF	yes

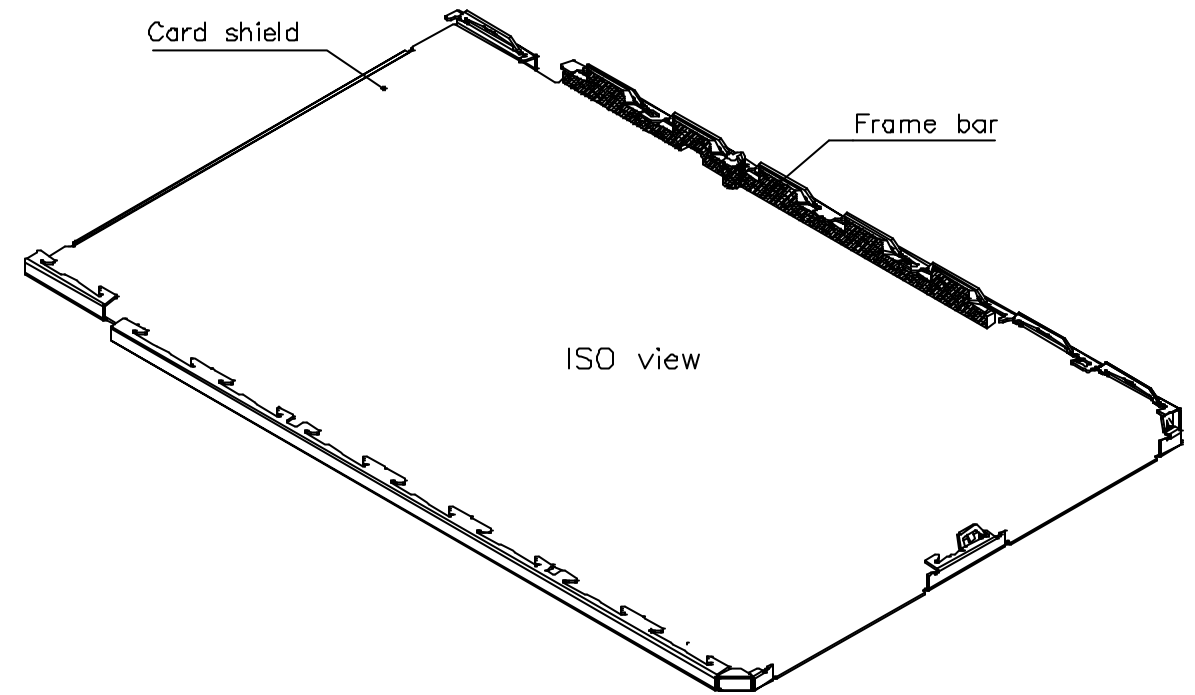
Product number	Packaging
83808-xxxxxLF	1000 Rocard Shield/Box
83808-xxxxxLFS	200 Rocard Shield/Box



Section C-C  
Scale 10:1



Version: Insulator  
(thickness 0.07 mm)

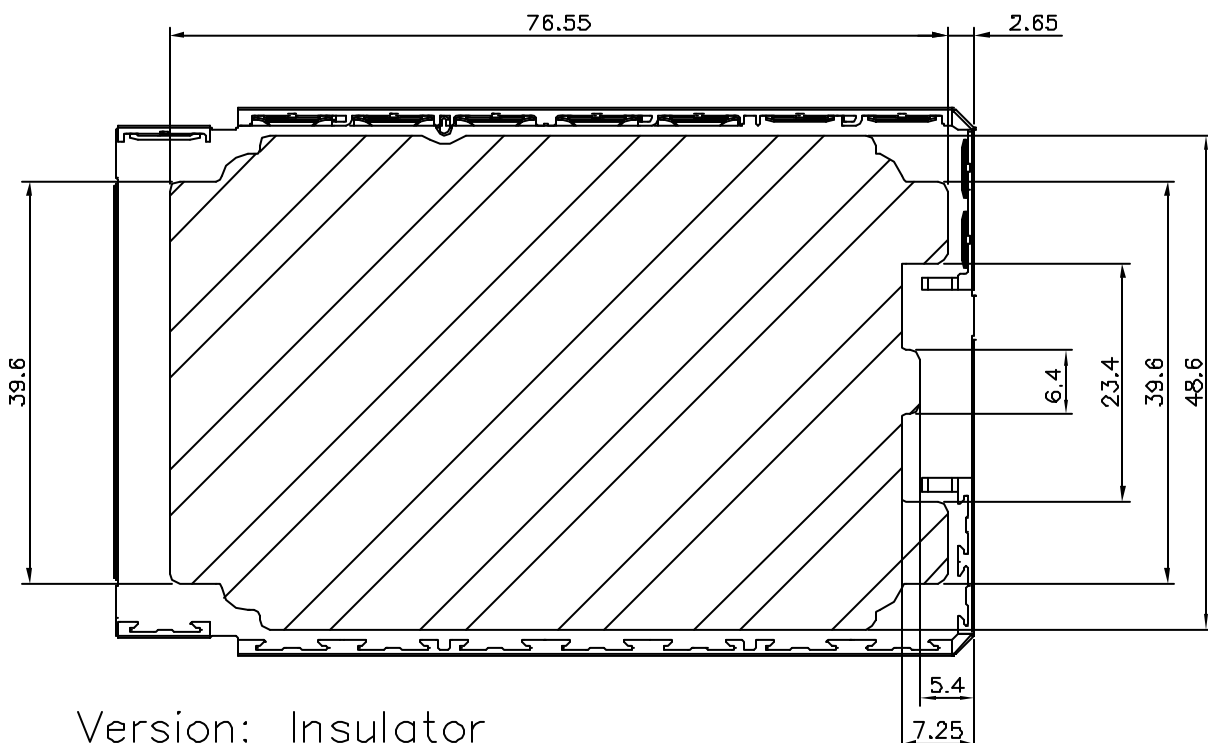
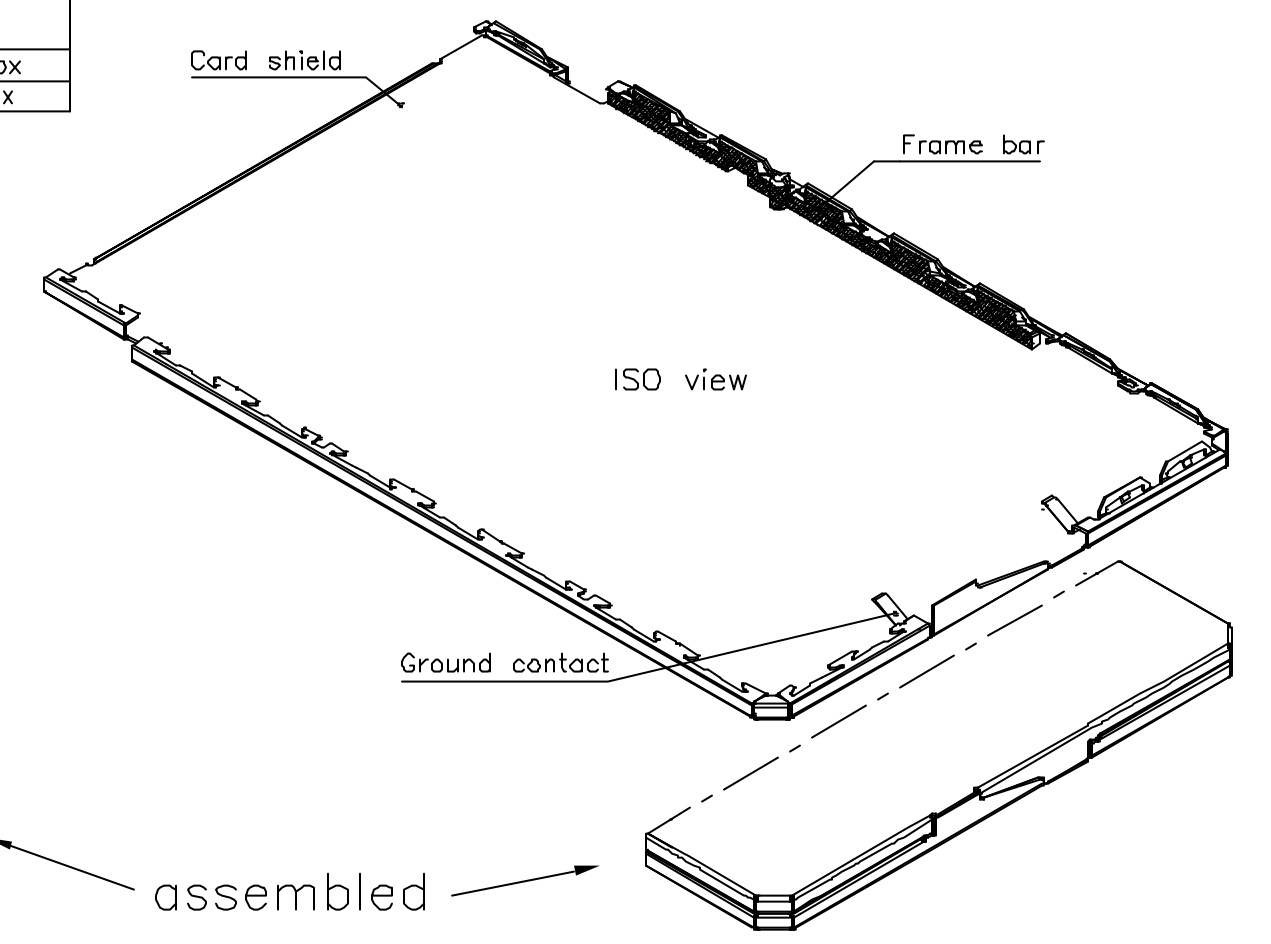
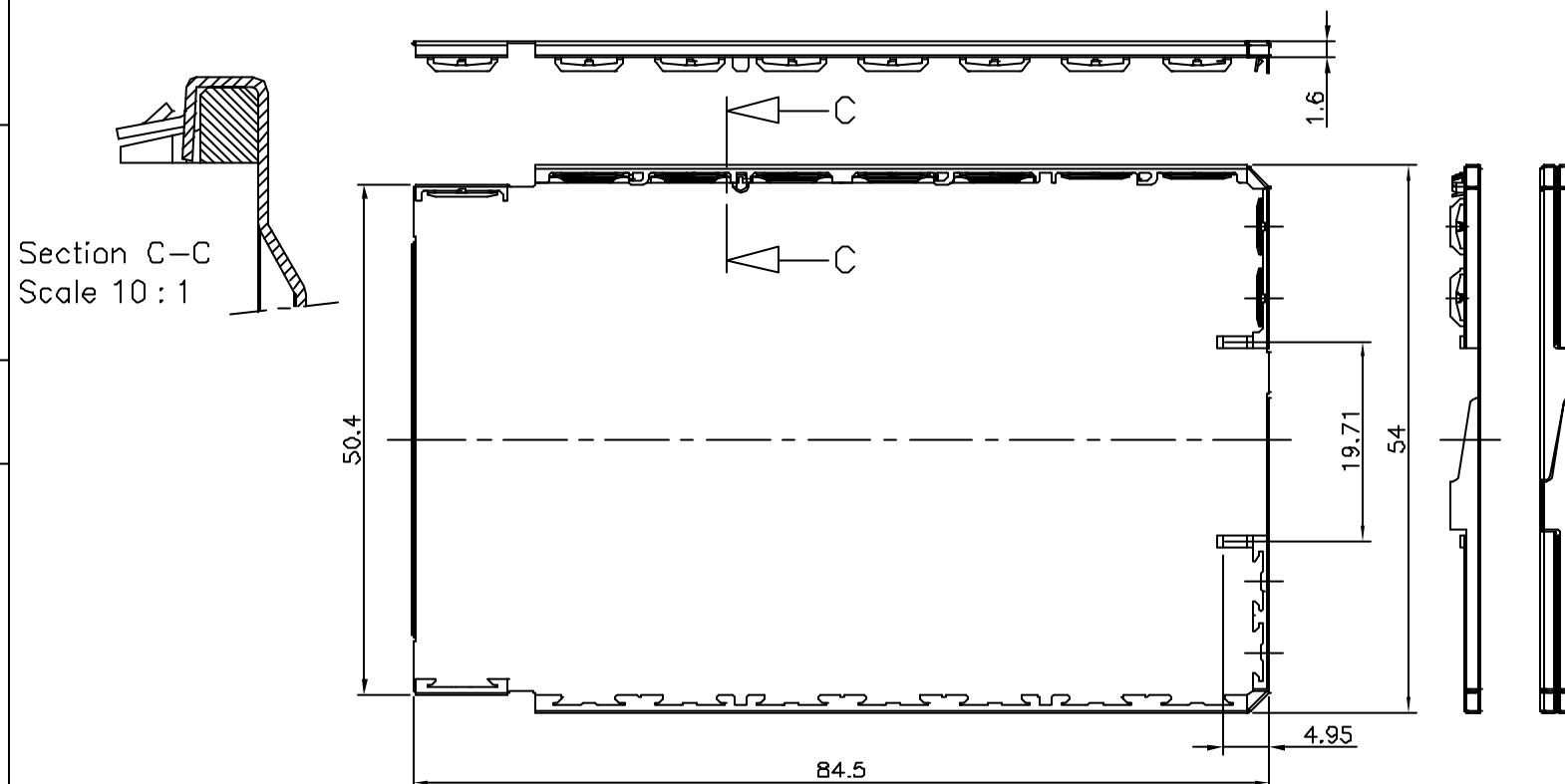


mat'l. code		surface		tolerance		projection		product family	
		ISO 1302		ISO 416 ISO 1101		mm		PCMCIA	
tr ecn no dr date		tolerance unless otherwise specified		angles		linear		title	
A	F80195	GCA	98.04.08					ROCARD SHIELD	
B	F90323	DLE	99.05.04					TYPE 1, 2x1/0	
C	F10514	DLE	01.09.07			scale 2:1		dwg no	
D	F05-0254	DLE	05.08.28	dr	H VEREUKEN	98.02.12	sheet 8 of -		size
E	F08-0138	DLE	06.02.27	engr	F HAUTIER	99.05.04	83808		A2
F	F08-0248	DLE	06.07.28	chr	D LEGRAND	99.05.04	type		CUSTOMER Drawing
sheet index		revision sheet		appd		F HAUTIER 99.05.04			



Product number	Insulator
83808-10000LF	no
83808-10010LF	yes

Product number	Packaging
83808-xxxxxLF	1000 Rocard Shield/Box
83808-xxxxxSLF	200 Rocard Shield/Box

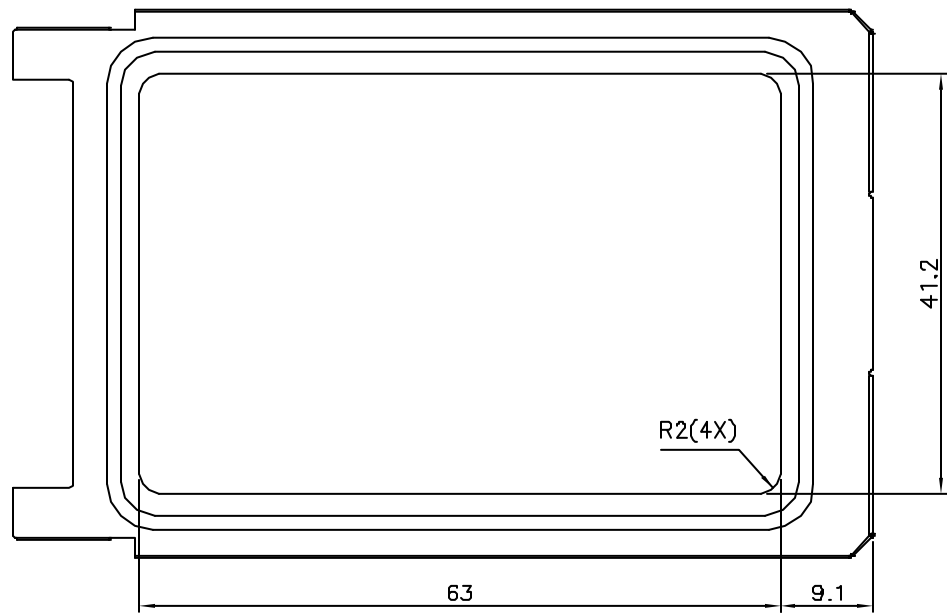
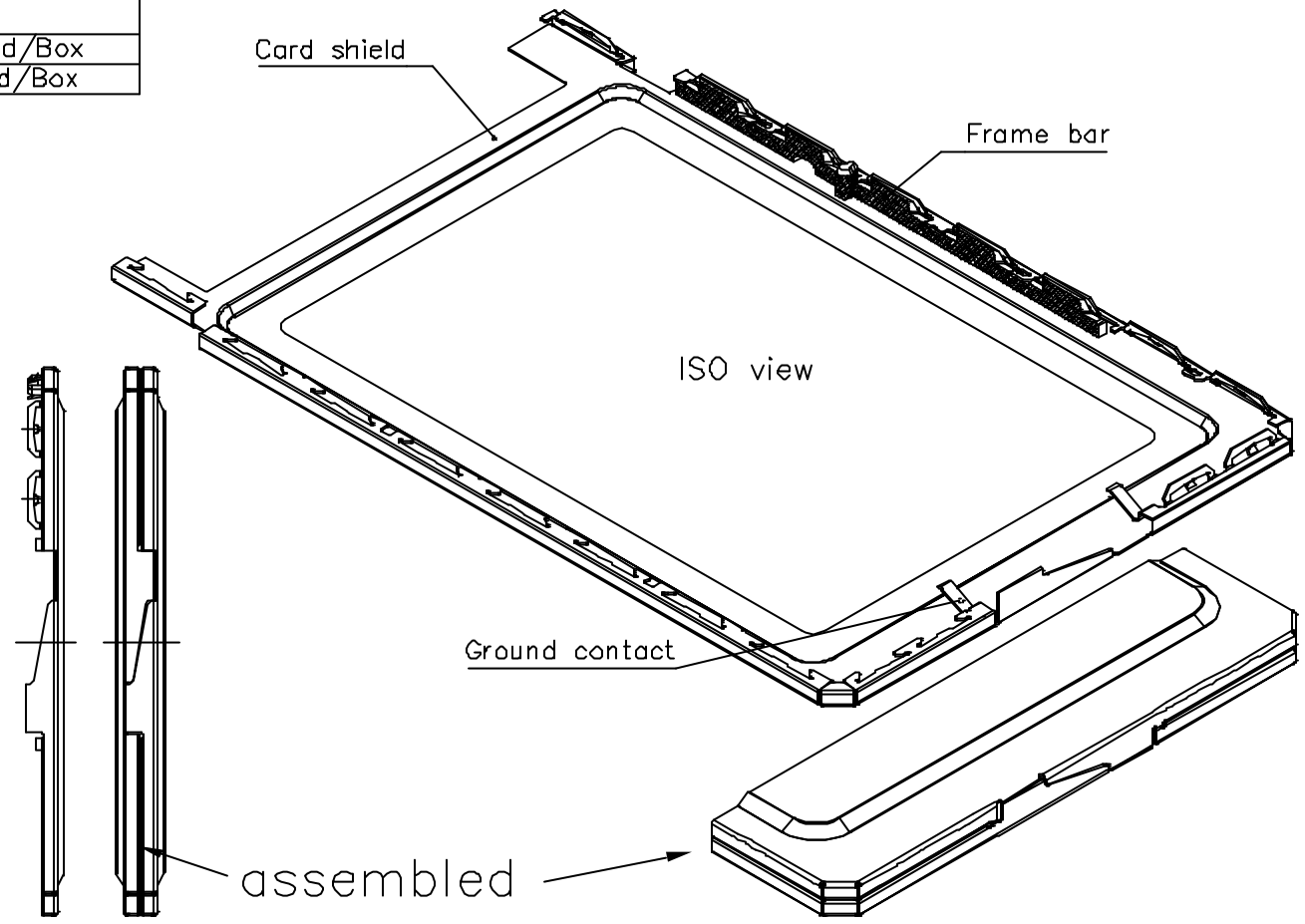
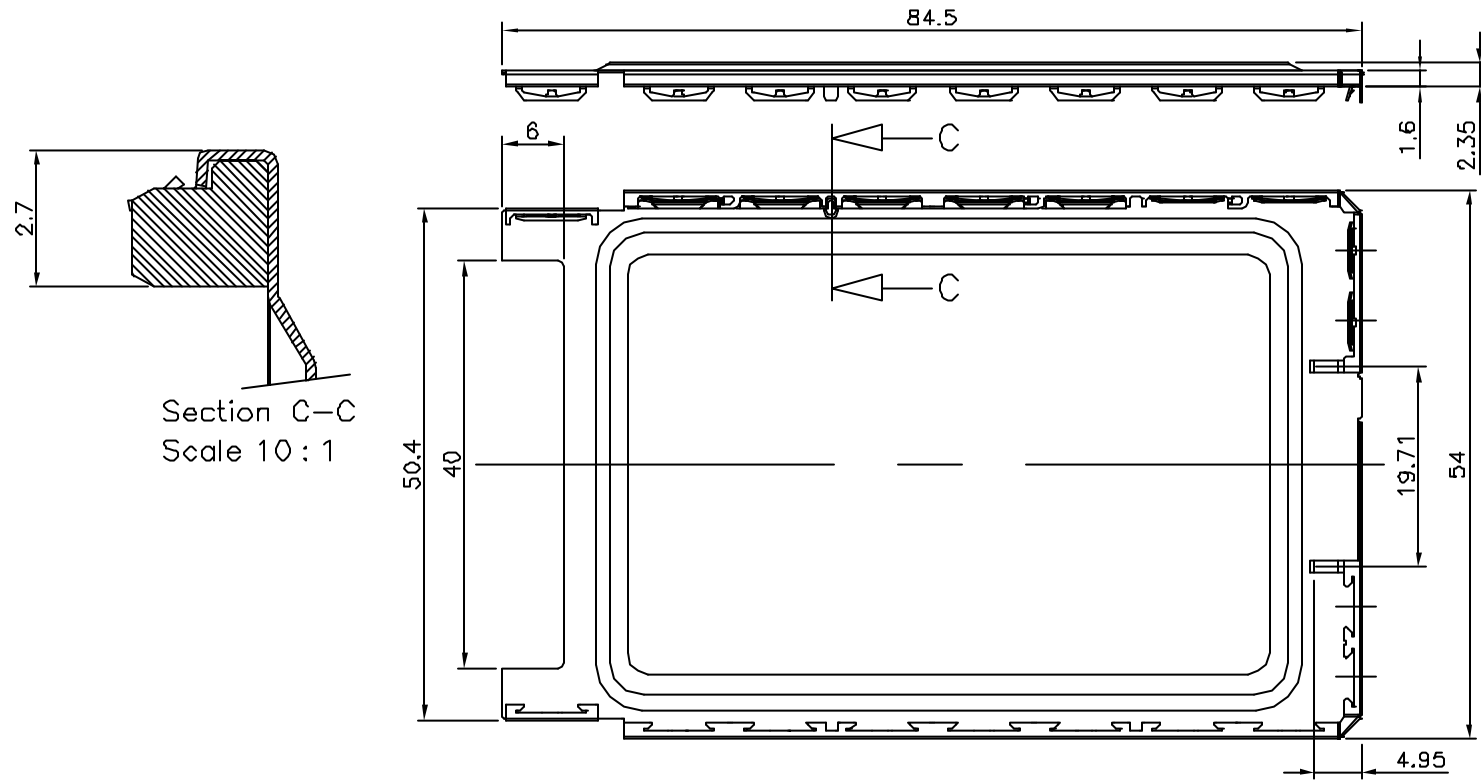


Version: Insulator  
(thickness 0.07 mm)

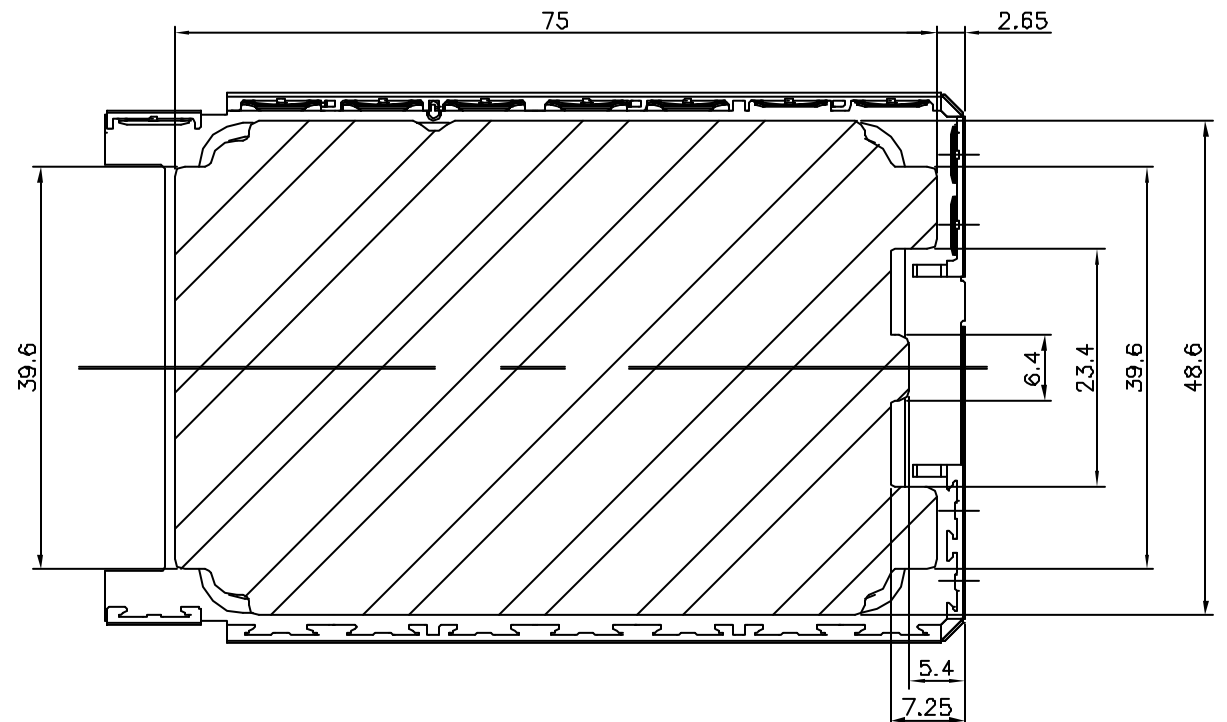
mat'l. code	surface	tolerance	projection	product family
	ISO 1302	ISO 416 ISO 1101		PCMCIA
lfr ecn no dr date	tolerance unless otherwise specified		mm	title
A F80195 GCA 98.04.08	angles	linear	scale 2:1	ROCARD SHIELD TYPE I, CLOSED END
B F90323 DLE 99.05.04				dwg no
C F10514 DLE 01.09.07				83808
D F05-0254 DLE 05.08.28 dr H VEREUKEN 98.02.12				sheet 9 of -
E F08-0138 DLE 06.02.27 engr F HAUTIER 99.05.04				Az
F F08-0248 DLE 06.07.28 chr D LEGRAND 99.05.04				type
				CUSTOMER Drawing
sheet index	revision sheet			

Product number	Insulator	Label recess
83808-20001LF	no	no
83808-20011LF	yes	no
83808-20101LF	no	yes
83808-20111LF	yes	yes

Product number	Packaging
83808-xxxxxLF	1000 Rocard Shield/Box
83808-xxxxxSLF	200 Rocard Shield/Box



Version: Label recess  
(maximum label thickness 0.07 mm)



Version: Insulator  
(thickness 0.07 mm)

lfr	ecn	no	dr	date	surface	tolerance	projection	product family
A	F90655	DLE		99.10.25	ISO 1302	ISO 416 ISO 1101	mm	PCMCIA
B	F00106	LMU		00.01.19	tolerance unless otherwise specified			title
C	F10514	DLE		01.09.07	angles	linear	scale 2:1	ROCARD SHIELD TYPE II, CLOSED, CARDBUS
D	F05-0254	DLE		05.08.28	dr	D LEGRAND	99.10.25	dwg no
E	F08-0138	DLE		06.02.27	engr	F HAUTIER	99.10.25	sheet 10 of -
F	F08-0248	DLE		06.07.28	chr	AESCHBACHER	99.10.25	83808
					app	F HAUTIER	99.10.25	A2
								type
								CUSTOMER Drawing
sheet index	revision sheet							