

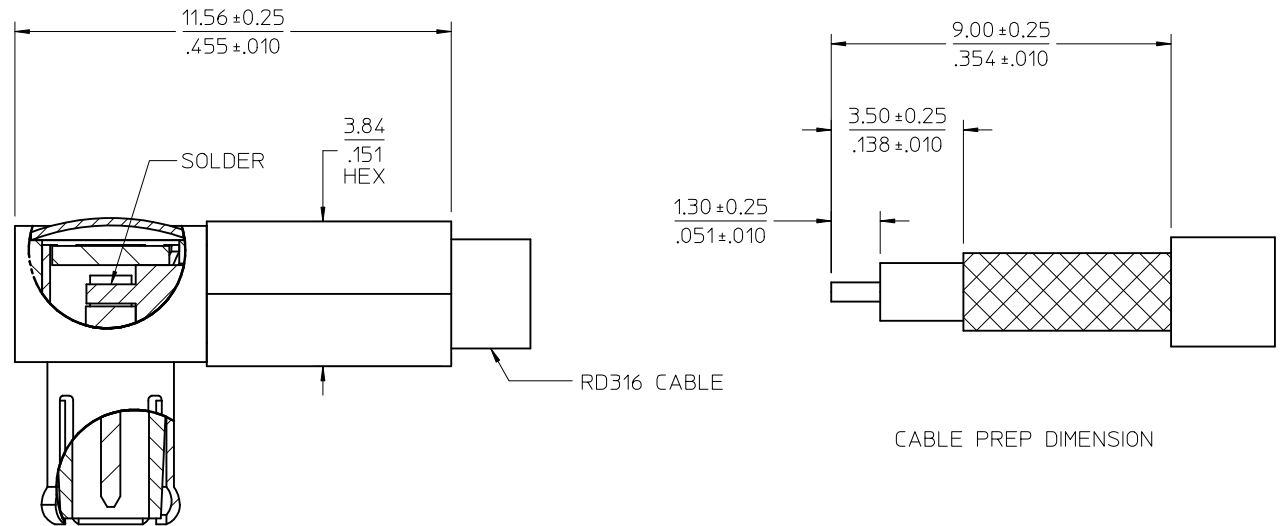
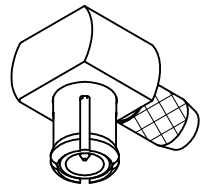
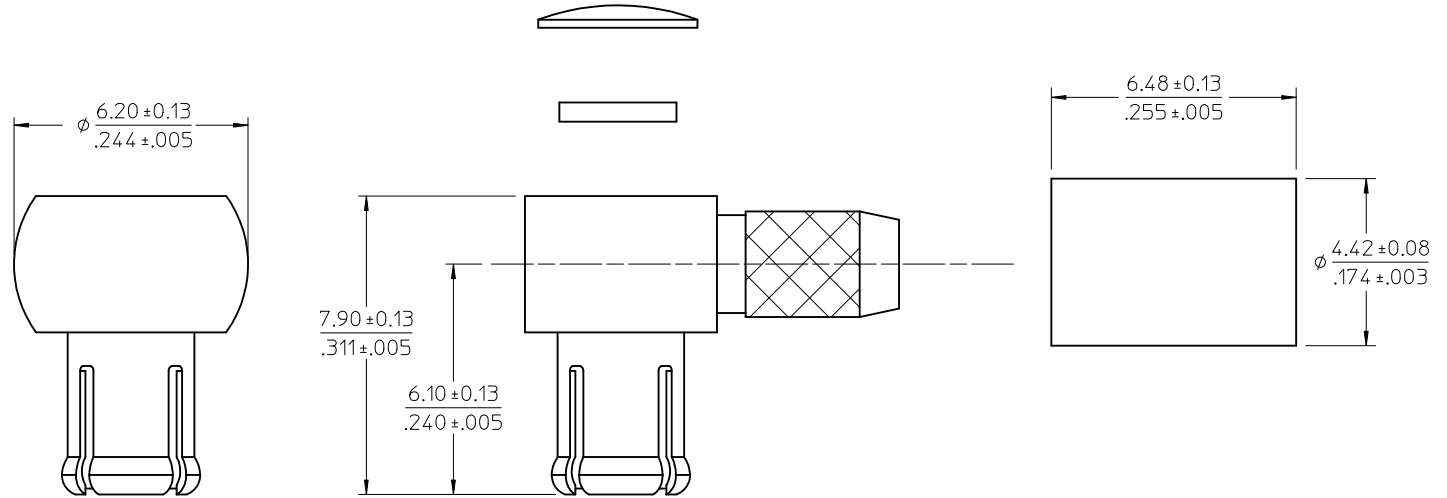
MATERIALS AND FINISHES

BODY, CRIMP TUBE, CAP: BRASS
PLATED: SEE TABLE

OUTER CONTACT: COPPER ALLOY
PLATED: SEE TABLE

CONTACT: BRASS
GOLD PLATED

INSULATORS: TEFLON



NOTE: CRIMP TUBE NOT INCLUDED FOR 73415-2231

73415-2235	NICKEL	GOLD (30u")	NICKEL
73415-2234	GOLD	GOLD (10u")	NICKEL
73415-2233	GOLD	GOLD (10u")	GOLD
73415-2232	NICKEL	NICKEL	NICKEL
73415-2231	NICKEL	NICKEL	N/A
73415-2230	NICKEL	NICKEL	NICKEL
PART NO.	PLATING	PLATING	PLATING
	BODY & CAP	OUTER CONT.	CRIMP TUBE

CHG: UPDATED STRIPS FOR IPC COMPLIANCE. EC NO: URF2012-0703 DRWN: ROBERTSON 2012/05/23 CHKD: SSS 2012/05/23 APPR: WIENER 2012/05/24 A7	QUALITY SYMBOLS ▼=0 ▽=0	GENERAL TOLERANCES (UNLESS SPECIFIED) <table border="1"> <tr> <th></th> <th>mm</th> <th>INCH</th> </tr> <tr> <td>4 PLACES</td> <td>± .005</td> <td>± .0002</td> </tr> <tr> <td>3 PLACES</td> <td>± .005</td> <td>± .0002</td> </tr> <tr> <td>2 PLACES</td> <td>± .005</td> <td>± .0002</td> </tr> <tr> <td>1 PLACE</td> <td>± .005</td> <td>± .0002</td> </tr> </table> ANGULAR ± 2°		mm	INCH	4 PLACES	± .005	± .0002	3 PLACES	± .005	± .0002	2 PLACES	± .005	± .0002	1 PLACE	± .005	± .0002	DIMENSION STYLE MM/IN DRAWN BY: GMH DATE: 2000/06/09 CHECKED BY: SSS DATE: 2000/06/09 APPROVED BY: XXX DATE: 0000/00/00	SCALE: METRIC DESIGN UNITS: METRIC THIRD ANGLE PROJECTION	TITLE: MCX PLUG RA RD316 CABLE 50 OHM EWR-3900, MCX-PC/RA
		mm	INCH																	
	4 PLACES	± .005	± .0002																	
	3 PLACES	± .005	± .0002																	
2 PLACES	± .005	± .0002																		
1 PLACE	± .005	± .0002																		
DRAFT WHERE APPLICABLE MUST REMAIN WITHIN DIMENSIONS		MATERIAL NO.: SEE TABLE SIZE: C	DOCUMENT NO.: SD-73415-223 MOLEX INCORPORATED	SHEET NO.: 1 OF 1																
THIS DRAWING CONTAINS INFORMATION THAT IS PROPRIETARY TO MOLEX INCORPORATED AND SHOULD NOT BE USED WITHOUT WRITTEN PERMISSION																				

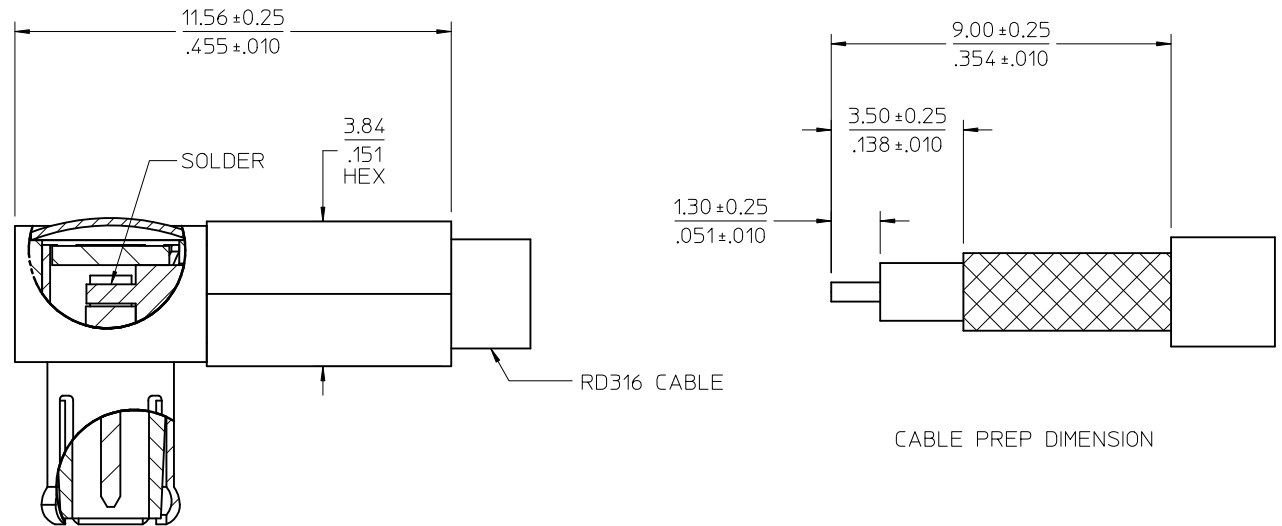
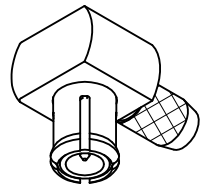
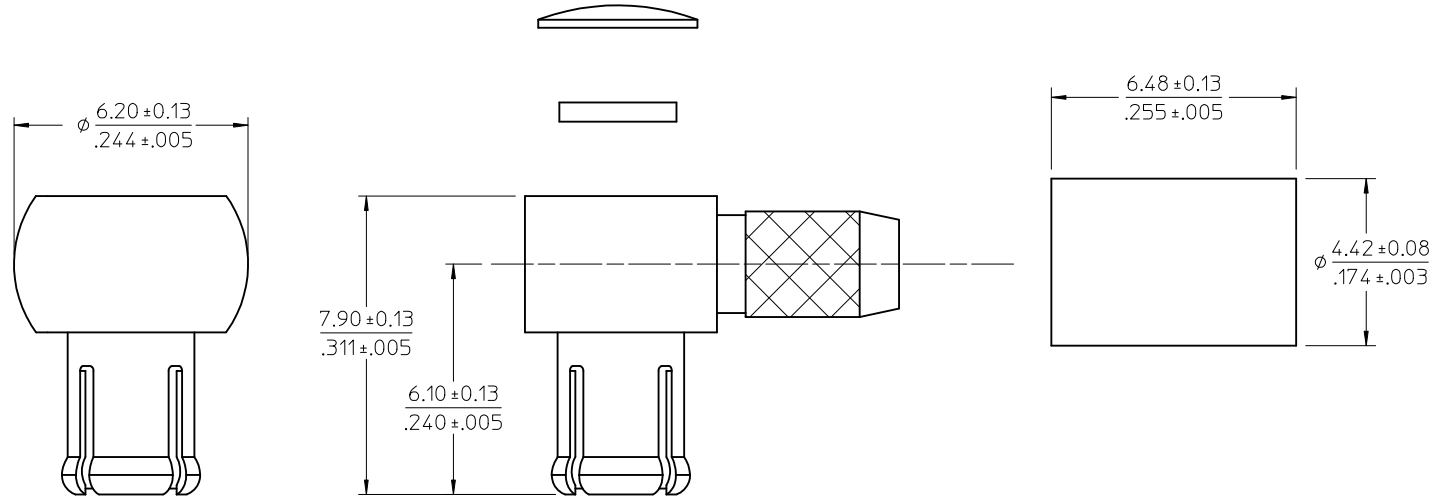
MATERIALS AND FINISHES

BODY, CRIMP TUBE, CAP: BRASS
PLATED: SEE TABLE

OUTER CONTACT: COPPER ALLOY
PLATED: SEE TABLE

CONTACT: BRASS
GOLD PLATED

INSULATORS: TEFLON



NOTE: CRIMP TUBE NOT INCLUDED FOR 73415-2231

73415-2235	NICKEL	GOLD (30u")	NICKEL
73415-2234	GOLD	GOLD (10u")	NICKEL
73415-2233	GOLD	GOLD (10u")	GOLD
73415-2232	NICKEL	NICKEL	NICKEL
73415-2231	NICKEL	NICKEL	N/A
73415-2230	NICKEL	NICKEL	NICKEL
PART NO.	PLATING	PLATING	PLATING
	BODY & CAP	OUTER CONT.	CRIMP TUBE

CHG: UPDATED STRIPS FOR IPC COMPLIANCE. EC NO: URF2012-0703 DRWN: ROBERTSON 2012/05/23 CHKD: SSS 2012/05/23 APPR: WIENER 2012/05/24 A7	QUALITY SYMBOLS ▼=0 ▽=0	GENERAL TOLERANCES (UNLESS SPECIFIED) mm INCH 4 PLACES ± --- ± --- 3 PLACES ± --- ± --- 2 PLACES ± --- ± --- 1 PLACE ± --- ± --- ANGULAR ± 2°	DIMENSION STYLE MM/IN DRAWN BY DATE GMH 2000/06/09 CHECKED BY DATE SSS 2000/06/09 APPROVED BY DATE XXX 0000/00/00	SCALE DESIGN UNITS METRIC THIRD ANGLE PROJECTION	TITLE MCX PLUG RA RD316 CABLE 50 OHM EWR-3900, MCX-PC/RA	MATERIAL NO. SEE TABLE	DOCUMENT NO. SD-73415-223	SHEET NO. 1 OF 1
	DRAFT WHERE APPLICABLE MUST REMAIN WITHIN DIMENSIONS		THIS DRAWING CONTAINS INFORMATION THAT IS PROPRIETARY TO MOLEX INCORPORATED AND SHOULD NOT BE USED WITHOUT WRITTEN PERMISSION	MOLEX INCORPORATED				