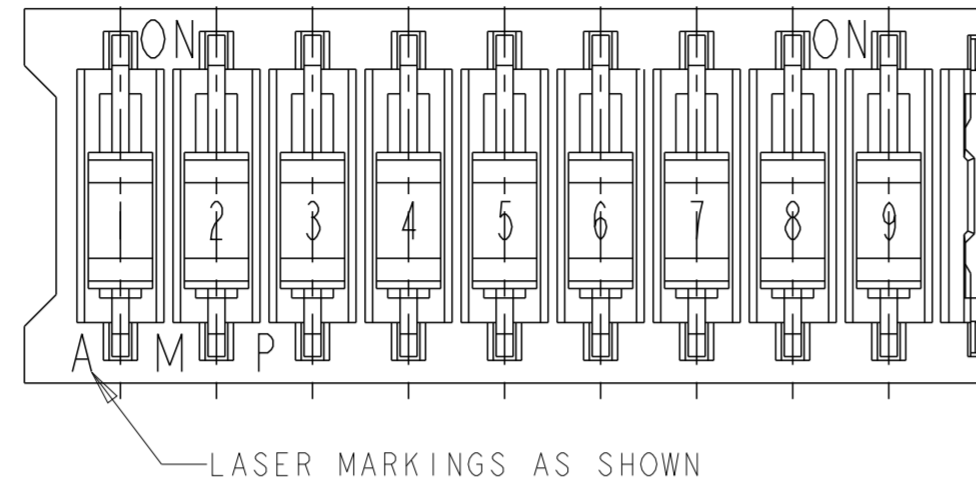


THIS DRAWING IS UNPUBLISHED. RELEASED FOR PUBLICATION  
 © COPYRIGHT copyright\_dBTe- ALL RIGHTS RESERVED.

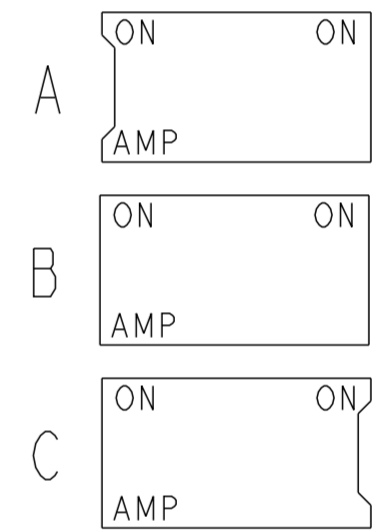
REVISIONS				
P	LTR	DESCRIPTION	DATE	APVD
C		REVISED PER ECO-13-015791	10OCT2013	KH RH
D		REVISED PER ECO-18-011900	07SEP2018	SR PO
E		REVISED PER ECO-20-007796	29DEC2021	GSK JB



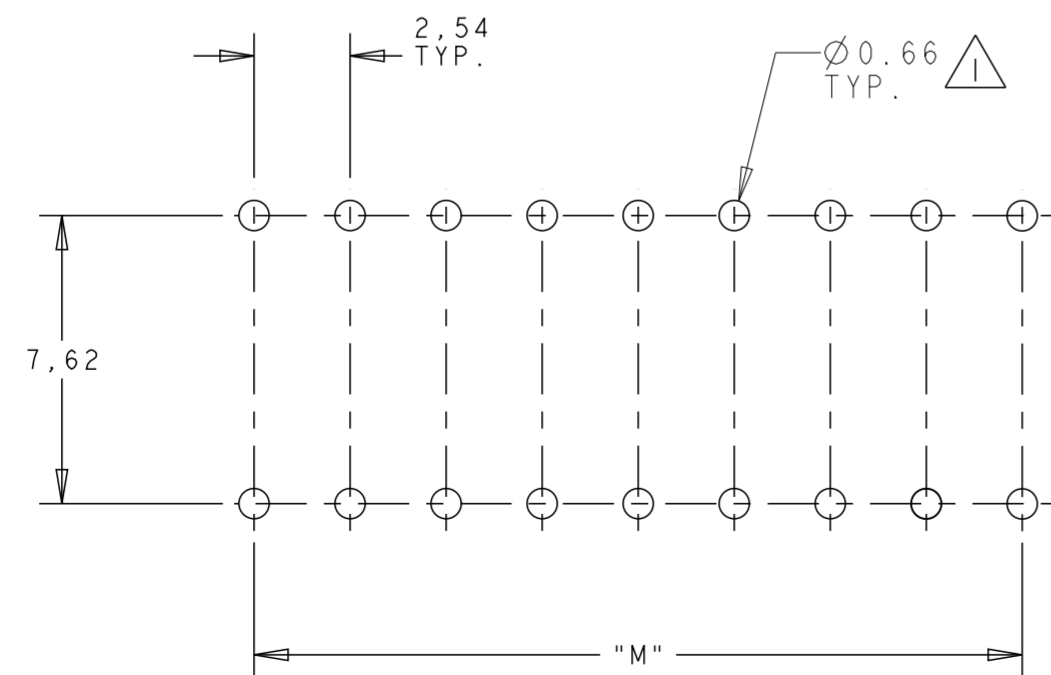
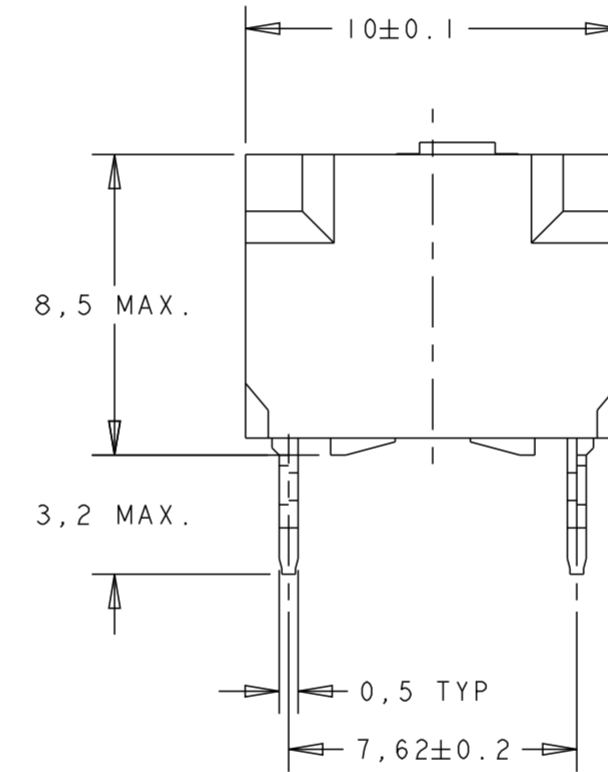
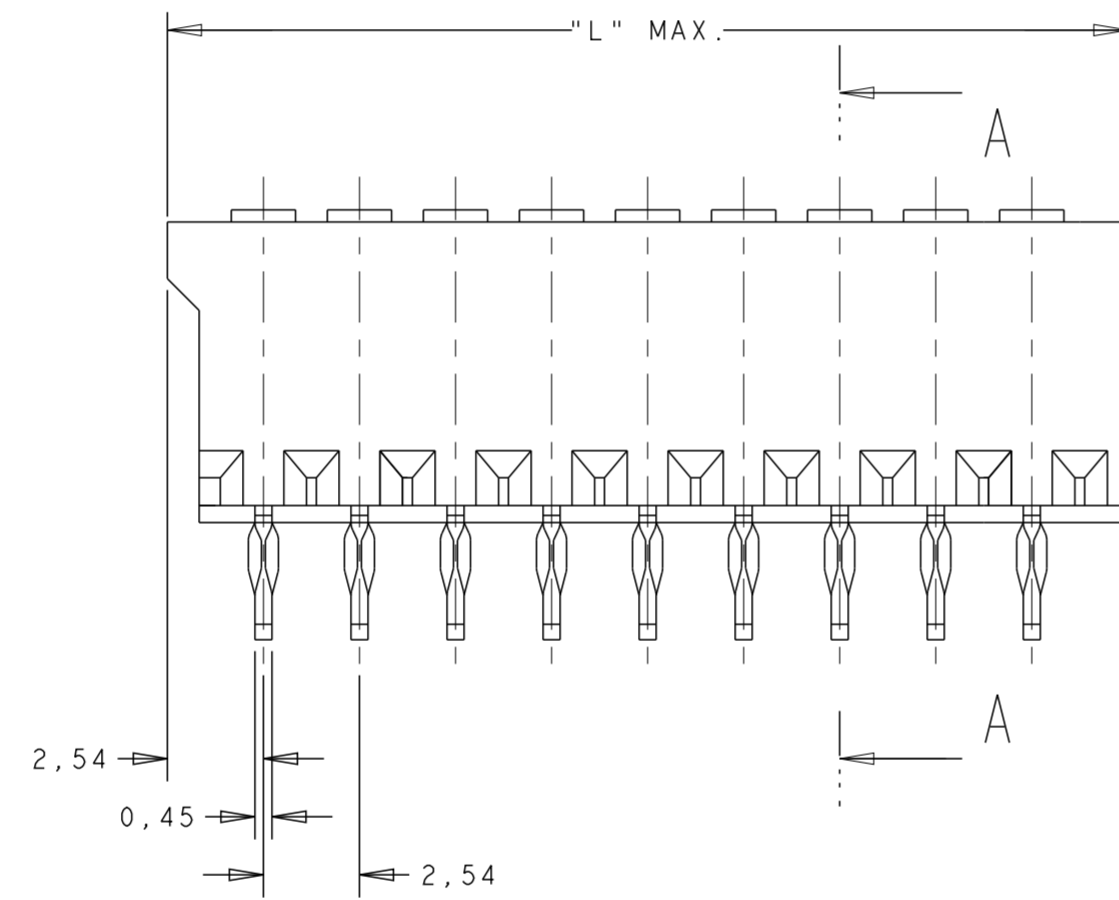
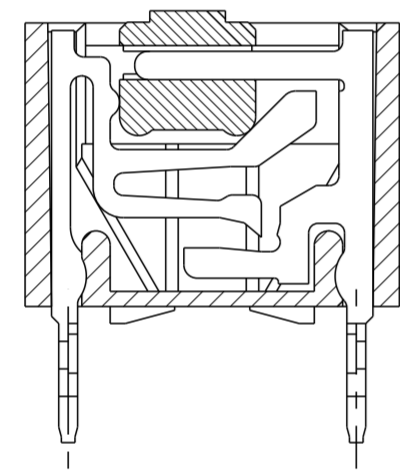
MATERIAL:  
 HOUSING : 30% G.F. NYLON , COLOUR : NATURAL.  
 ACTUATOR: 20% G.F. POLYESTER , COLOUR : RED.  
 CONTACTS: PHOSPHOR-BRONZE.  
 PLATING: 2,5µmTIN.

P.C.B. Hole Dim. Action-Pin	
Drilled hole:	0,75 ±0,025 mm
Fin. Hole:	0,6 to 0,72 mm
Cu-thickness:	0,025 to 0,05 mm
SN-thickness:	0,004 to 0,01 mm

SWITCH HOUSING MAY HAVE PROFILE A, B OR C.



SECTION A - A



RECOMMENDED P.C.B HOLE PATTERN.  
 P.C.B THICKNESS : 1,6mm MIN.

OBSOLETE

PART NUMBER	NUMBER OF POSITIONS	"L" MAX.	"M"
0-5338048-1	1	5,08	-
0-5338048-2	2	7,62	2,54
0-5338048-3	3	10,16	5,08
0-5338048-4	4	12,70	7,62
0-5338048-5	5	15,24	10,16
0-5338048-6	6	17,78	12,70
0-5338048-7	7	20,32	15,24
0-5338048-8	8	22,86	17,78
0-5338048-9	9	25,40	20,32

THIS DRAWING IS A CONTROLLED DOCUMENT.		DWN SA008712 18SEP2007	TE Connectivity	
DIMENSIONS: mm		CHK -		
TOLERANCES UNLESS OTHERWISE SPECIFIED:		APVD -	NAME	
0 PLC ±	1 PLC ±	PRODUCT SPEC -	DIP SWITCH ACTION PIN VERSION	
2 PLC ±	3 PLC ±	APPLICATION SPEC -	SIZE	CAGE CODE
4 PLC ±	ANGLES ±	FINISH -	A200779	C-C-5338048
MATERIAL -	FINISH -	WEIGHT -	DRAWING NO	RESTRICTED TO
-	-	-	A200779	-
CUSTOMER DRAWING			SCALE	SHEET OF REV
				E