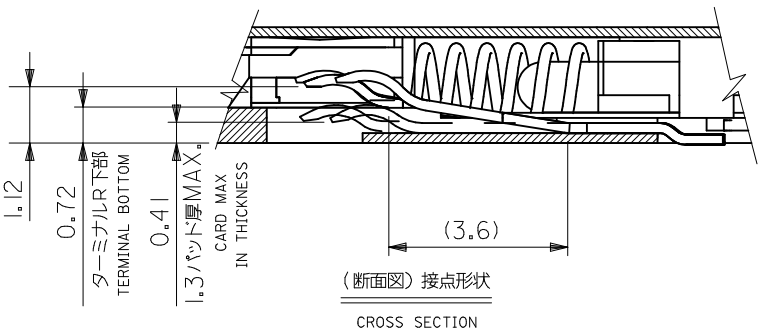
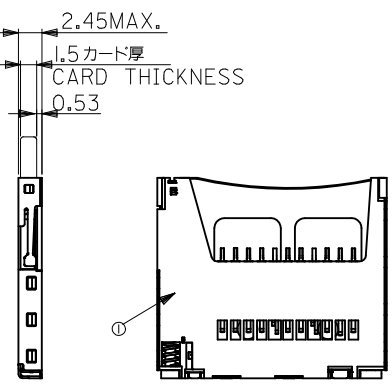
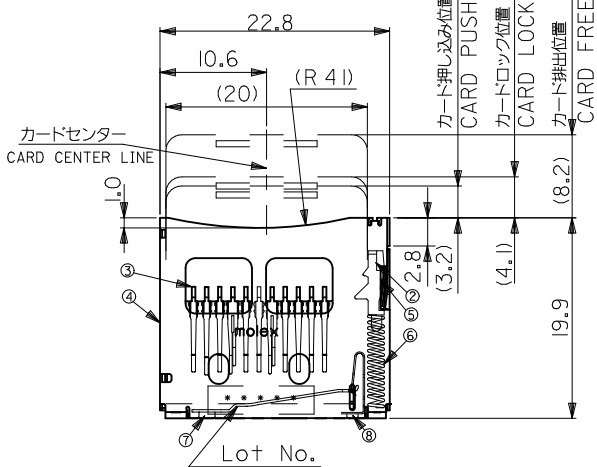


カード装置状態 CARD INSERTION STATE	ディテクトスイッチ DETECT SWITCH
カード排出 CARD FREE	クローズ CLOSE
カードロック CARD LOCK	オープン OPEN
カード押し込み CARD PUSHING	オープン OPEN



番号 NO.	名称 NAME	材料 MATERIAL
①	ハウジング HOUSING	耐熱樹脂, UL 94V-0, 黒色 HEAT RESISTANCE POLYMER, UL 94V-0, BLACK
②	カムスライダ CAM SLIDER	耐熱樹脂, UL 94V-0, 黒色 HEAT RESISTANCE POLYMER, UL 94V-0, BLACK
③	ターミナル TERMINAL	銅合金, 接点部: 金めっき 0.5μ~0.7μ 半田付部: 錫めっき 1μ~3μ 下地: ニッケルめっき 1μ~3μ COPPER ALLOY, CONTACT AREA: GOLD (0.5-0.7) TAIL AREA: TIN, (1-3) UNDER: NICKEL (1-3)
④	メタルカバー METAL COVER	ステンレス鋼: 金コート 下地: ニッケルめっき 1μ~3μ STAINLESS STEEL, Au COAT, UNDER: NICKEL (1-3)
⑤	ピン PIN	ステンレス鋼 STAINLESS STEEL
⑥	スプリング SPRING	ピアノ線 SWP
⑦	ディテクトターミナル DETECT TERMINAL	銅合金, 接点部: 金めっき 0.2μ~0.4μ 半田付部: 錫めっき 1μ~3μ 下地: ニッケルめっき 1μ~3μ COPPER ALLOY, CONTACT AREA: GOLD (0.2-0.4) TAIL AREA: TIN, (1-3) UNDER: NICKEL (1-3)
⑧	スイッチネイル SWITCH NAIL	銅合金, 接点部: 金めっき 0.2μ~0.4μ 下地: ニッケルめっき 1μ~3μ COPPER ALLOY, CONTACT & TAIL AREA: GOLD, (0.2-0.4) UNDER: NICKEL (1-3)

注記




1. ターミナルおよびネイルの平坦度は 0.1MAX.  
TERMINAL AND NAIL COPLANARITY TO BE 0.1MAX.
2. 納入時、プッシュ機構は非ロック状態  
WHEN DELIVERING, THE PUSH/PUSH MECHANISM IS IN THE STATE OF THE UNLOCK.
3. ELV AND ROHS COMPLIANT.

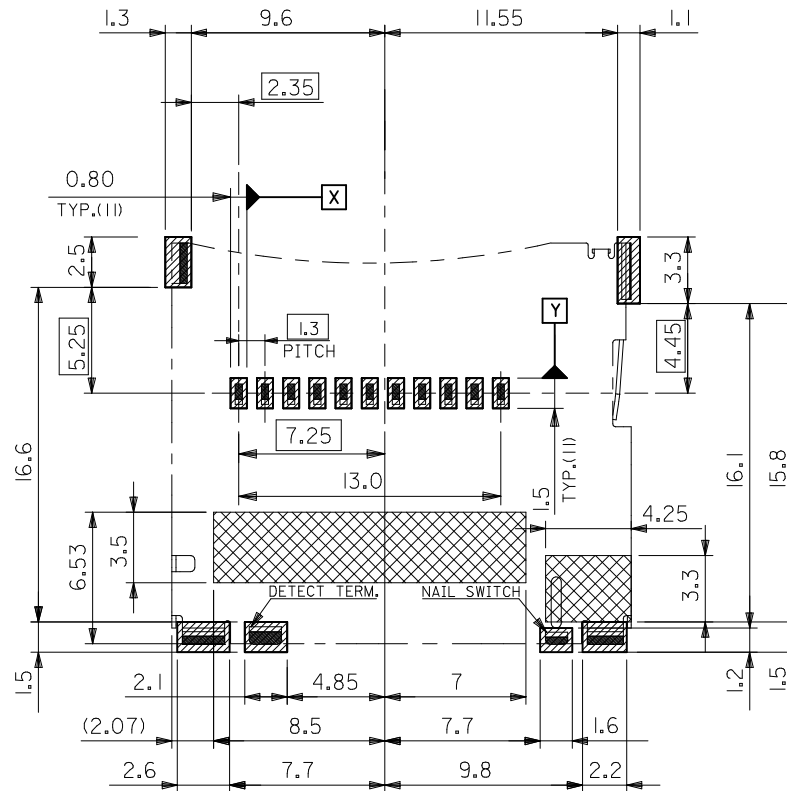
製造場所 PLANT  
曜日番号 DAYS  
週番号 WEEKS  
西暦末尾一桁 | FIGURE OF THE A.D. END

500525-1142  
EMBOSSED PACKAGE  
オーダー番号 ORDRE NO.

CONNECTOR SERIES NO. 500525-\*\*48


REVISED EC NO.: J2010-1055 DRWN: MHAYASHI 2009/11/18 CHKD: MOTOYAMA 2009/11/26 APPR: NUKITA 2009/11/26	GENERAL TOLERANCES (UNLESS SPECIFIED)		DIMENSION STYLE MM ONLY		SCALE ---	DESIGN UNITS METRIC	THIRD ANGLE PROJECTION	
	10 UNDER	±0.2	DRAWN BY Y. AOYAGI	DATE 2007/06/05	TITLE MINI SD MEMORY CARD CONN. NORMAL TYPE			
	10 OVER 30 UNDER	±0.25	CHECKED BY N. UKITA	DATE 2007/06/05	MOLEX INCORPORATED			
	30 OVER	±0.3	APPROVED BY N. UKITA	DATE 2007/06/05	MATERIAL NO. SEE TABLE	DOCUMENT NO. SD-500525-003	SHEET NO. 1 OF 2	
ANGULAR ±3 °		DRAFT WHERE APPLICABLE MUST REMAIN WITHIN DIMENSIONS		THIS DRAWING CONTAINS INFORMATION THAT IS PROPRIETARY TO MOLEX INCORPORATED AND SHOULD NOT BE USED WITHOUT WRITTEN PERMISSION				

-  : 基板ランド部 P.C.B LAND AREA
-  : コネクタ実装部 CONN. MOUNT AREA
-  : パターン禁止エリア KEEP OUT AREA

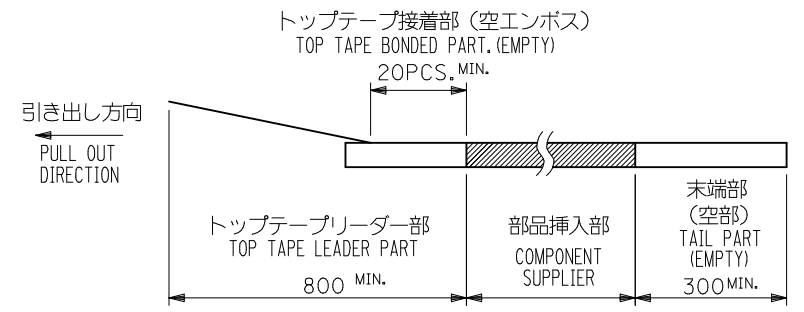
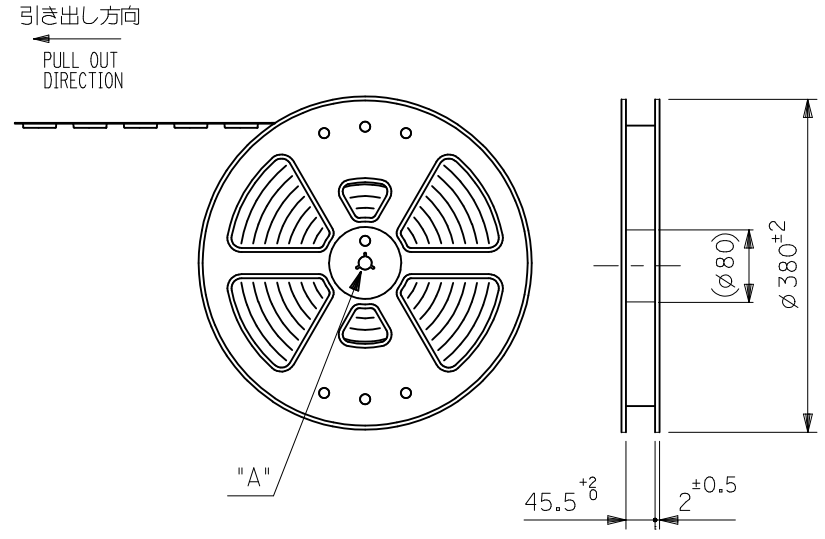


推奨基板寸法 一般公差: ±0.05

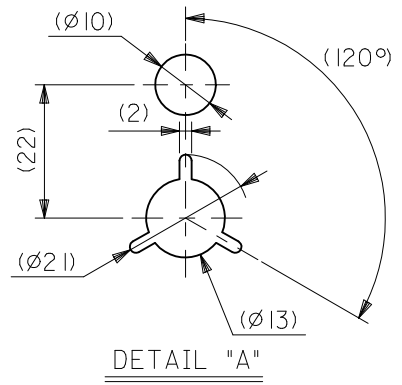
RECOMMENDED P.C.B LAYOUT  
GENERAL TOLERANCE ±0.05

REVISED EC NO: J2010-1055 DRWN: MHAYASHI 2009/11/18 CHKD: MOTOHITA 2009/11/26 APPR: NUKITA 2009/11/26	GENERAL TOLERANCES (UNLESS SPECIFIED)		DIMENSION STYLE MM ONLY		SCALE ---	DESIGN UNITS METRIC	THIRD ANGLE PROJECTION	
	10 UNDER	± ---	DRAWN BY Y. AOYAGI	DATE 2007/06/05	TITLE MINI SD MEMORY CARD CONN. NORMAL TYPE			
	10 OVER 30 UNDER	± ---	CHECKED BY N. UKITA	DATE 2007/06/05	 MOLEX INCORPORATED DOCUMENT NO. SD-500525-003 SHEET NO. 2 OF 2			
	30 OVER	± ---	APPROVED BY N. UKITA	DATE 2007/06/05				
	ANGULAR	± --- °	MATERIAL NO. SEE SHEET 1					
DRAFT WHERE APPLICABLE MUST REMAIN WITHIN DIMENSIONS		THIS DRAWING CONTAINS INFORMATION THAT IS PROPRIETARY TO MOLEX INCORPORATED AND SHOULD NOT BE USED WITHOUT WRITTEN PERMISSION						

- NOTES**
- 製品詳細寸法については、SD図面を参照下さい。  
THE DETAIL DIMENSIONS REFER TO SALES DRAWING.
  - 梱包数量：500個/リール  
NUMBER OF CONNECTORS : 500PCS/REEL
  - リードテープ長さ LEAD TAPE LENGTH



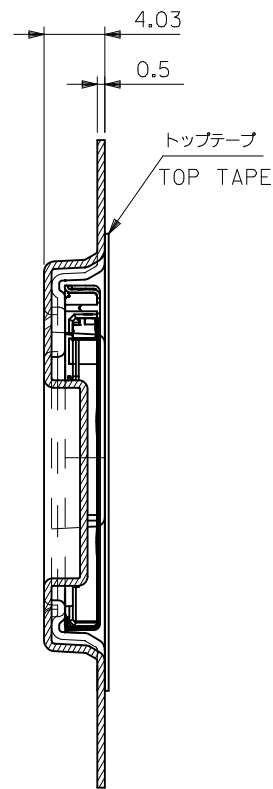
- 材料 (MATERIAL)  
 キャリアテープ (CARRIER TAPE) : ポリプロピレン (POLYPROPYLENE)  
 トップテープ (TOP TAPE) : PET, PE, PEF  
 リール (REEL) : ポリスチレン (PS) <リサイクル材を含む>  
 POLYSTYRENE (PS) <RECYCLE MATERIAL CONTAINED>  
 5.ELV AND RoHS COMPLIANT.



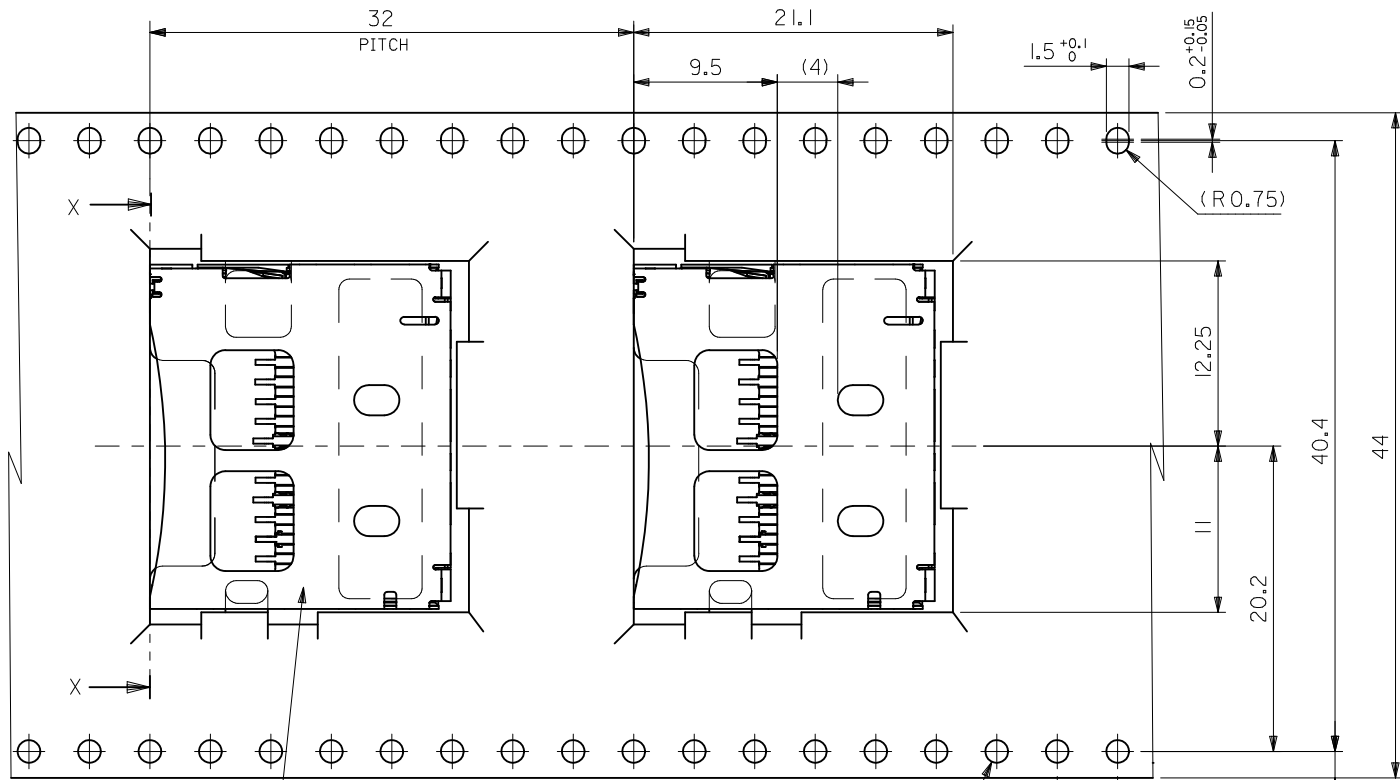
500525-1148	500525-1142
コネクタ CONNECTOR	製品番号 MATERIAL No.

REVISED EC NO: J2010-1055 DRWN:MHAYASHI 2009/11/18 CHKD:MTOMITA 2009/11/26 APPR:NUKITA 2009/11/26 REV A	DESCRIPTION	GENERAL TOLERANCES (UNLESS SPECIFIED)	DIMENSION STYLE MM ONLY	SCALE ---	DESIGN UNITS METRIC	THIRD ANGLE PROJECTION
		10 UNDER ± ---	DRAWN BY Y. AOYAGI	DATE 2007/06/05	TITLE MINI SD MEMORY CARD CONN EMBOSSD TAPE PACKAGE	
		10 OVER 30 UNDER ± ---	CHECKED BY N. UKITA	DATE 2007/06/05	MATERIAL NO. SD-500525-004	
		30 OVER ± ---	APPROVED BY N. UKITA	DATE 2007/06/05	SHEET NO. 1 OF 2	
		ANGULAR ± --- ° DRAFT WHERE APPLICABLE MUST REMAIN WITHIN DIMENSIONS	SEE TABLE		DOCUMENT NO. SD-500525-004	

10 9 8 7 6 5 4 3 2 1



SECTION X-X



500525-11\*\*  
CONN. ASS'Y

引き出し方向  
PULL OUT DIRECTION

エンボステープ内の製品の向き  
DIRECTION OF CONNECTOR IN EMBOSSED TAPE

∅ 1.5<sup>+0.1</sup>/<sub>0</sub>

累積ピッチ 40±0.2  
ACCUMULATIVE PITCH 40±0.2

REVISED EC NO: J2010-1055 DRWN:MHAYASHI 2009/11/18 CHKD:MTOMITA 2009/11/26 APPR:NUKITA 2009/11/26	GENERAL TOLERANCES (UNLESS SPECIFIED)		DIMENSION STYLE MM ONLY	SCALE ---	DESIGN UNITS METRIC	THIRD ANGLE PROJECTION
	10 UNDER	±0.2	DRAWN BY Y. AOYAGI	DATE 2007/06/05	TITLE MINI SD MEMORY CARD CONN EMBOSSED TAPE PACKAGE	
	10 OVER 30 UNDER	±0.25	CHECKED BY N. UKITA	DATE 2007/06/05	MOLEX INCORPORATED	
	30 OVER	±0.3	APPROVED BY N. UKITA	DATE 2007/06/05	MATERIAL NO. SEE SHEET 1	DOCUMENT NO. SD-500525-004
A	ANGULAR ±3 °	DRAFT WHERE APPLICABLE MUST REMAIN WITHIN DIMENSIONS	THIS DRAWING CONTAINS INFORMATION THAT IS PROPRIETARY TO MOLEX INCORPORATED AND SHOULD NOT BE USED WITHOUT WRITTEN PERMISSION			