

SACC-CI-M12FSX-8P SMD SH T - Contact carrier



1411964

<https://www.phoenixcontact.com/us/products/1411964>

Please be informed that the data shown in this PDF document is generated from our online catalog. Please find the complete data in the user documentation. Our general terms of use for downloads are valid.



Contact carrier, Ethernet, 8-position, Socket, straight, M12, coding: X , PCB mounting, SMD reflow, Item is lead-free in accordance with RoHS II without Exemption 6c (Pb <0.1%)

Your advantages

- Reduced mounting costs thanks to two-piece device connector
- Packaging available for automated pick and place assembly
- All common pin assignments and codings available
- Easy device integration thanks to mechanical port screw connections with threaded attachment, press-in contour or direct integration in the front plate

Commercial data

Item number	1411964
Packing unit	1 pc
Minimum order quantity	60 pc
Sales key	AB23
Product key	ABQBGG
GTIN	4046356991612
Weight per piece (including packing)	4.786 g
Weight per piece (excluding packing)	4.456 g
Customs tariff number	85366990
Country of origin	DE

Technical data

Notes

General	The electrical and mechanical data specified assume that the connector pair is correctly locked and mounted. If the connector is unlocked and if there is a danger of contamination, the connector must be sealed using a protective cap > IP54. Influences arising from litz wires, cables or PCB assembly must also be taken into consideration.
---------	--

Product properties

Product type	Contact insert
Sensor type	Ethernet
Number of positions	8
Application	Data
Seal present	no
Shielded	yes
Coding	X
Thread type	M12

Insulation characteristics

Overvoltage category	III
Degree of pollution	3

Electrical properties

Rated surge voltage	1.5 kV
Contact resistance	≤ 3 mΩ
Insulation resistance	> 100 MΩ
Nominal voltage U _N	50 V AC
	60 V DC
Nominal current I _N	0.5 A (Data)
Transmission characteristics (category)	CAT6 _A

Interfaces

Signal type/category	Ethernet
----------------------	----------

Material specifications

Material	Zinc die-cast, nickel-plated
Flammability rating according to UL 94	V0
Contact material	CuZn
Contact surface material	Au
Contact carrier material	PA

Connector

Connection 1

SACC-CI-M12FSX-8P SMD SH T - Contact carrier



1411964

<https://www.phoenixcontact.com/us/products/1411964>

Head design	Socket
Head cable outlet	straight
Head thread type	M12
Coding	X

Cable/line

Signal type/category	Ethernet
----------------------	----------

Mechanical properties

Mechanical data

Insertion/withdrawal cycles	> 100
-----------------------------	-------

Environmental and real-life conditions

Ambient conditions

Degree of protection (when plugged in)	IP67 (correctly plugged in and locked)
Degree of protection	IP67 (correctly plugged in and locked) IP67, when plugged in
Ambient temperature (operation)	-25 °C ... 105 °C (Plug / socket) -55 °C ... 105 °C (without mechanical actuation)

Standards and regulations

M12

Standard designation	M12 connector
Standards/specifications	IEC 61076-2-109
Note	In line with

Mounting

Mounting type	PCB mounting
Connection method	SMD reflow

Packaging specifications

Type of packaging	Tray
Delivery state	with assembly pad

SACC-CI-M12FSX-8P SMD SH T - Contact carrier

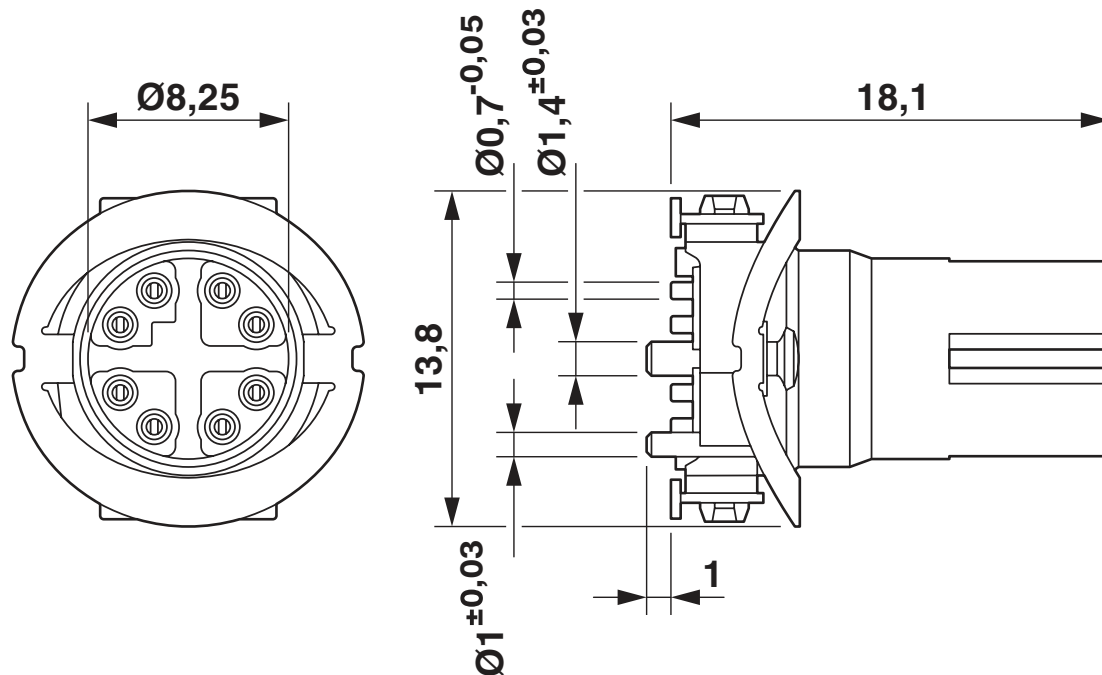


1411964

<https://www.phoenixcontact.com/us/products/1411964>

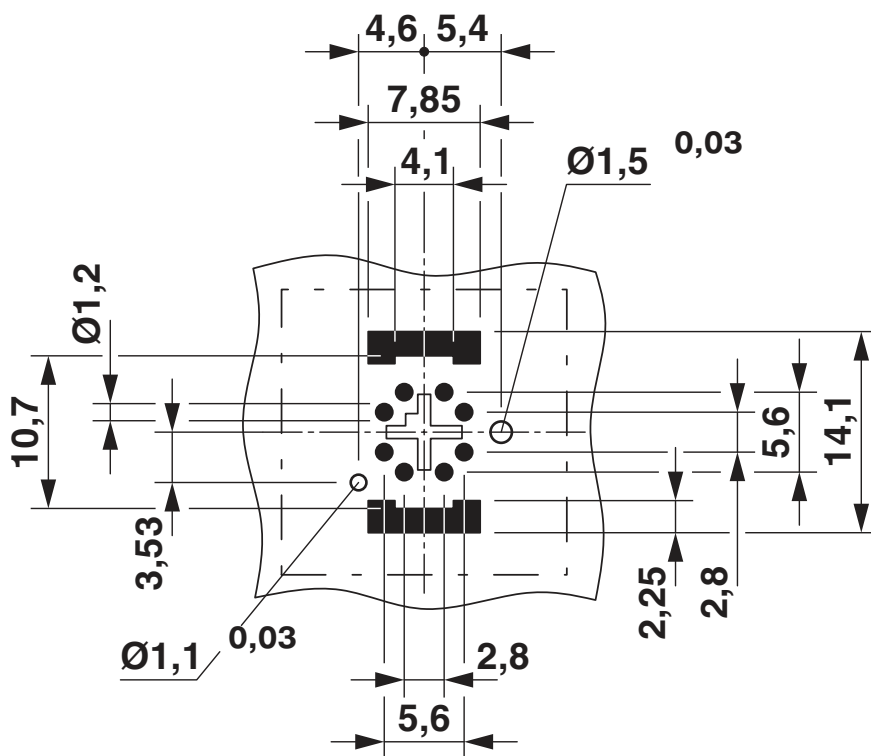
Drawings

Dimensional drawing



Dimensional drawing

Drilling plan/solder pad geometry



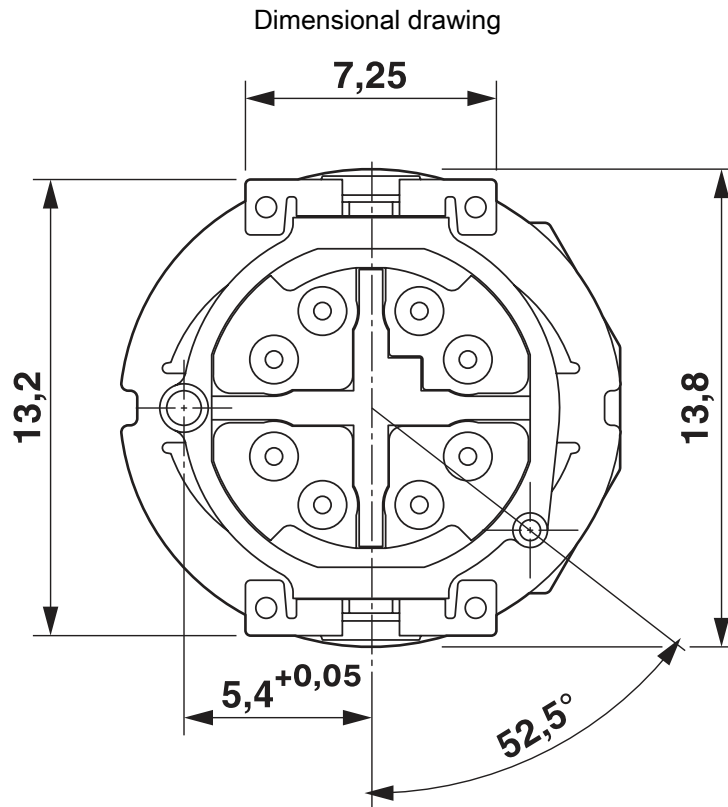
Soldering pad geometry

SACC-CI-M12FSX-8P SMD SH T - Contact carrier

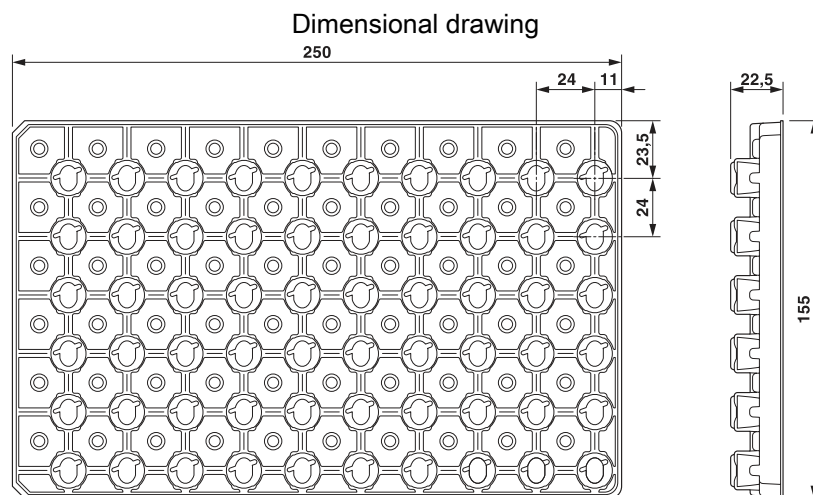


1411964

<https://www.phoenixcontact.com/us/products/1411964>



View of solder side



SMD tray packaging

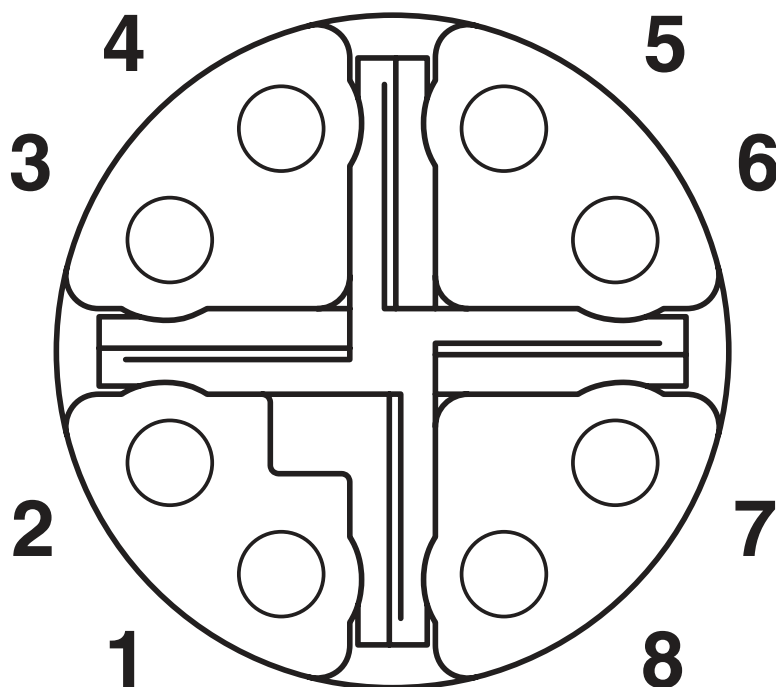
SACC-CI-M12FSX-8P SMD SH T - Contact carrier

1411964

<https://www.phoenixcontact.com/us/products/1411964>



Schematic diagram



Pin assignment M12 connector, 8-pos., view socket side

SACC-CI-M12FSX-8P SMD SH T - Contact carrier





1411964


<https://www.phoenixcontact.com/us/products/1411964>

Approvals

To download certificates, visit the product detail page: <https://www.phoenixcontact.com/us/products/1411964>

 cUL Recognized Approval ID: E335024-20120308				
	Nominal voltage U_N	Nominal current I_N	Cross section AWG	Cross section mm^2
	60 V	0.5 A	-	-

 UL Recognized Approval ID: E335024-20120308				
	Nominal voltage U_N	Nominal current I_N	Cross section AWG	Cross section mm^2
	60 V	0.5 A	-	-

 EAC Approval ID: B.01687	
---	--

cULus Recognized	
-------------------------	--

SACC-CI-M12FSX-8P SMD SH T - Contact carrier



1411964

<https://www.phoenixcontact.com/us/products/1411964>

Classifications

ECLASS

ECLASS-11.0	27440110
ECLASS-12.0	27440110
ECLASS-13.0	27440110

ETIM

ETIM 8.0	EC003568
----------	----------

UNSPSC

UNSPSC 21.0	39121400
-------------	----------

SACC-CI-M12FSX-8P SMD SH T - Contact carrier



1411964

<https://www.phoenixcontact.com/us/products/1411964>

Environmental product compliance

China RoHS	Environmentally friendly use period: unlimited = EFUP-e
	No hazardous substances above threshold values

SACC-CI-M12FSX-8P SMD SH T - Contact carrier



1411964

<https://www.phoenixcontact.com/us/products/1411964>

Accessories

SACC-CI-M12FSX-8P SMD SH-SP - Sample set

1418637

<https://www.phoenixcontact.com/us/products/1418637>



Sample set, Ethernet, 8-position, Socket, straight, M12, coding: X , PCB mounting, SMD, Item is lead-free in accordance with RoHS II without Exemption 6c (Pb <0.1%)

SACC-BP-F-M12/M15-6-SMD - Housing screw connection

1414021

<https://www.phoenixcontact.com/us/products/1414021>



Housing screw connection, Socket, M12, Rear mounting, Alternative product in accordance with RoHS II without Exemption 6c (Pb <0.1%) item no.: 1239058

SACC-CI-M12FSX-8P SMD SH T - Contact carrier

1411964

<https://www.phoenixcontact.com/us/products/1411964>



SACC-BP-F-M12/M15-6-SMD SCO - Housing screw connection

1414023

<https://www.phoenixcontact.com/us/products/1414023>



Housing screw connection, Socket, M12-SPEEDCON, Rear mounting, M15 x 1, Alternative product in accordance with RoHS II without Exemption 6c (Pb <0.1%) item no.: 1239059

SACC-FP-F-M12/M14 SMD - Housing screw connection

1412079

<https://www.phoenixcontact.com/us/products/1412079>



M12 female connector, front mounting SMD with M14 screw fastening

SACC-CI-M12FSX-8P SMD SH T - Contact carrier

1411964

<https://www.phoenixcontact.com/us/products/1411964>



SACC-FP-F-M12/PRESS SMD - Housing screw connection

1412081

<https://www.phoenixcontact.com/us/products/1412081>



Housing screw connection, Socket, M12, Front mounting, Alternative product in accordance with RoHS II without Exemption 6c (Pb <0.1%) item no.: 1238973

SACC-BP-F-M12/SMD-0,9/1,6-9TIP - Housing screw connection

1419569

<https://www.phoenixcontact.com/us/products/1419569>



Housing screw connection, M12, Rear mounting, Alternative product in accordance with RoHS II without Exemption 6c (Pb <0.1%) item no.: 1239268

SACC-CI-M12FSX-8P SMD SH T - Contact carrier

1411964

<https://www.phoenixcontact.com/us/products/1411964>



SACC-BP-F-M12/SMD-1,6/2,3-9TIP - Housing screw connection

1419570

<https://www.phoenixcontact.com/us/products/1419570>

Housing screw connection, M12, Rear mounting



SACC-BP-F-M12/SMD-2,3/3,0-9TIP - Housing screw connection

1419571

<https://www.phoenixcontact.com/us/products/1419571>

Housing screw connection, M12, Rear mounting, Alternative product in accordance with RoHS II without Exemption 6c (Pb <0.1%) item no.: 1239270



SACC-CI-M12FSX-8P SMD SH T - Contact carrier

1411964

<https://www.phoenixcontact.com/us/products/1411964>



SACC-BP-F-FIX/NUT-BK-SMD - Fixing sleeve

1419568

<https://www.phoenixcontact.com/us/products/1419568>



Fixing sleeve for M12 housing screw connection with tolerance-compensating function, for SMD-solderable M12 socket contact inserts.

SACC-BP-F-FIX/NUT-CY-SMD - Fixing sleeve

1419565

<https://www.phoenixcontact.com/us/products/1419565>



Fixing sleeve for M12 housing screw connection with tolerance-compensating function, for SMD-solderable M12 socket contact inserts.

SACC-CI-M12FSX-8P SMD SH T - Contact carrier



1411964

<https://www.phoenixcontact.com/us/products/1411964>

SACC-BP-F-FIX/NUT-GN-SMD - Fixing sleeve

1419566

<https://www.phoenixcontact.com/us/products/1419566>



Fixing sleeve for M12 housing screw connection with tolerance-compensating function, for SMD-solderable M12 socket contact inserts.

SACC-BP-F-FIX/NUT-VT-SMD - Fixing sleeve

1419567

<https://www.phoenixcontact.com/us/products/1419567>



Fixing sleeve for M12 housing screw connection with tolerance-compensating function, for SMD-solderable M12 socket contact inserts.

Phoenix Contact 2023 © - all rights reserved
<https://www.phoenixcontact.com>

Phoenix Contact USA
586 Fulling Mill Road
Middletown, PA 17057, United States
(+717) 944-1300
info@phoenixcon.com