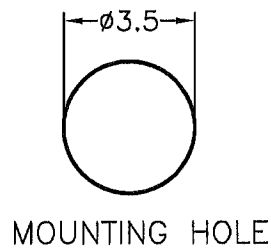
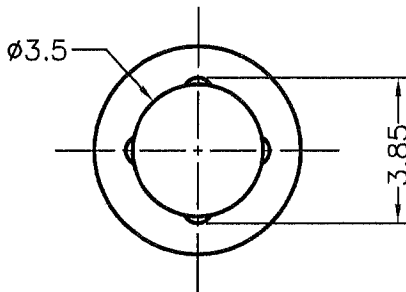
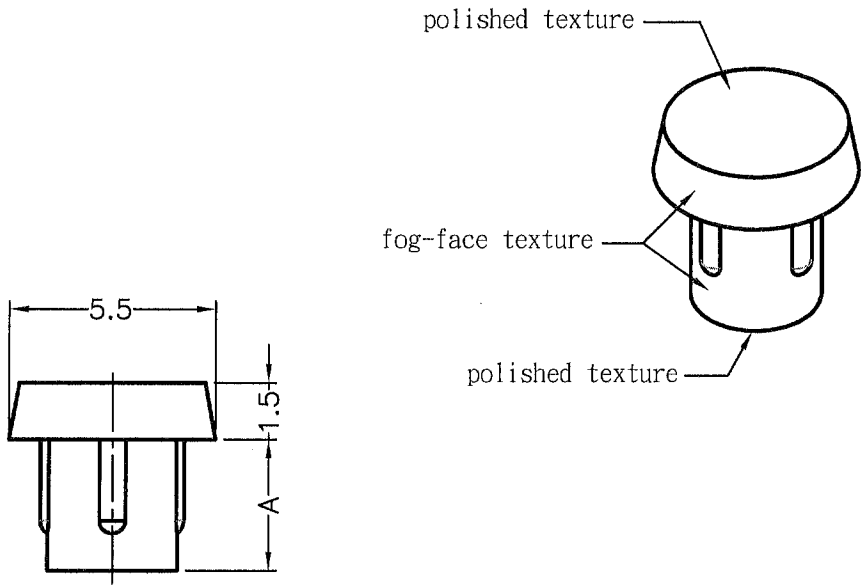

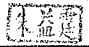



DIM.	TOL
L≤10	±0.2
10<L≤30	±0.3
30<L≤50	±0.5
50<L≤100	±0.7
100<L≤250	±1.2
ABOVE 250	±1.5

REVISIONS			
REV	DESCRIPTION	DATE	BY



PART NO.	A
LEM-150-3V01	3.0
LEM-150-3.5V01	3.5
LEM-150-4V01	4.0

 <p>康揚企業股份有限公司 KANG YANG HARDWARE ENTERPRISE CO., LTD. 康揚塑膠(東莞)有限公司 KANG YANG PLASTIC(DONG GUAN) CO., LTD. 康哲電腦配件(吳江)有限公司 KANG CHE COMPUTER COMPONENTS(WUJIANG) CO., LTD.</p>	TITLE	Light pipe	SPEC. DWG.
	MATERIAL	PC UL94V-0	DATE 2012.10.26
	FINISH		DRAWN ALBERT
	COLOR	NATURAL	CHECK 
PART NUMBER SEE ABOVE	DRAWING NUMBER LEM-150-HV01	UNLESS OTHERWISE SPECIFIED TOLERANCE SEE ABOVE	APPROVED 
SIZE A4	SCALE 5:1	UNIT mm	REV A