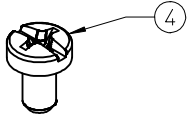
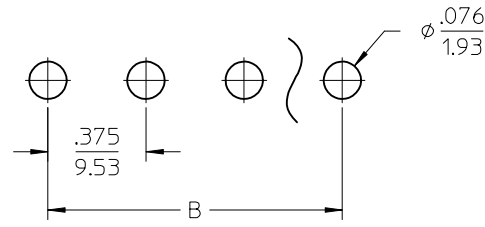
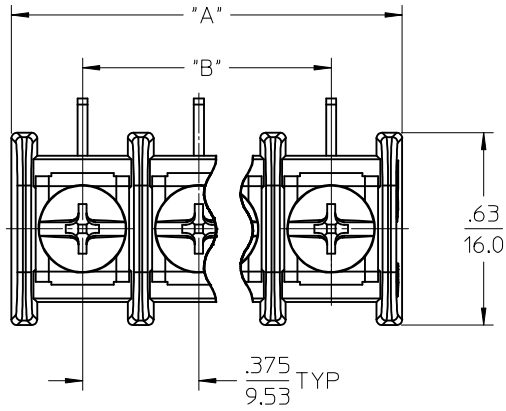
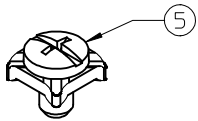


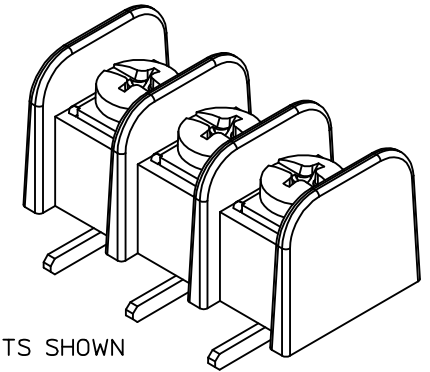
REF. -49 OPT. SCREW  
(WHERE APPLICABLE)



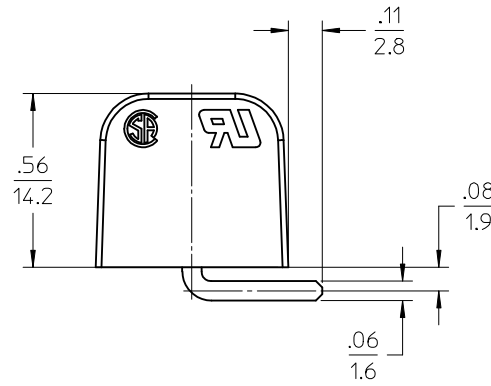
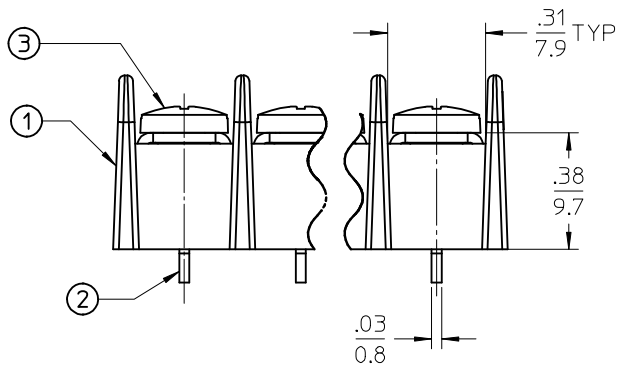
REF. -50 OPT. SCREW  
(WHERE APPLICABLE)



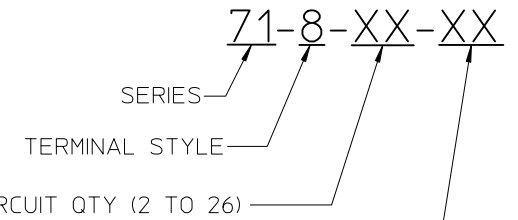
PTH PATTERN



3 CIRCUITS SHOWN  
AS REFERENCE



PART NUMBER LEGEND



OPTION (-49 BRASS,PHIL/SLOT SCREW)  
(-50 CLAMP WASHER,PHIL/SLOT SCREW)  
(-C NO MOUNTING ENDS)

NOTES:

1. MATERIAL: SEE TABLE.
2. FINISHES: SEE TABLE.
3. PRODUCT SPECIFICATION: PS-38710-001
4. "XX" REFERS TO NUMBER OF CIRCUITS.
5. ASSEMBLY IS RoHS COMPLIANT.

5		XX	#6-32 PH/SLOTTED SCREW W/WSHR (OPTION -50)	STEEL	ZINC	<p>RELEASED EC NO: ICG2016-0008                  DRAWN: SVMURTHY 2015/06/30                  CHKDR: RSTONE 2015/06/30                  APPR: JFMURPHY 2016/07/11</p> <p>DESCRIPTION</p>	QUALITY SYMBOLS	GENERAL TOLERANCES (UNLESS SPECIFIED)	DIMENSION STYLE	SCALE	DESIGN UNITS	THIRD ANGLE PROJECTION	
4		XX	#6-32 PH/SLOTTED SCREW (OPTION -49)	BRASS	NICKEL		$\nabla F/0$ $\nabla F/0$ $\nabla F/0$	mm INCH 4 PLACES ± --- ± --- 3 PLACES ± --- ± .005 2 PLACES ± 0.13 ± .01 1 PLACE ± 0.3 ± --- 0 PLACE ± --- ± ---	IN/MM	2:1	INCH	DRAWN BY SVMURTHY DATE 2015/06/30 CHECKED BY RSTONE DATE 2015/06/30 APPROVED BY JFMURPHY DATE 2016/07/11	TITLE 9.53MM [.375"] SR BTS RA ASSY, NO MTG
3		XX	#6-32 PH/SLOTTED SCREW (STANDARD)	STEEL	ZINC								
2		XX	TERMINAL, WW SN-KT	BRASS	TIN								
1		1	INSULATOR	POLYESTER (PBT)	BLACK								
ITEM	QTY	DESCRIPTION		MATERIAL	FINISH								



SEE SHEET 2  
 MATERIAL NO. SD-38711-5302  
 DOCUMENT NO. SHEET NO. 1 OF 2

THIS DRAWING CONTAINS INFORMATION THAT IS PROPRIETARY TO MOLEX INCORPORATED AND SHOULD NOT BE USED WITHOUT WRITTEN PERMISSION

10 9 8 7 6 5 4 3 2 1

# OF CIRCUITS "XX"	DIM. "A"		DIM. "B"	
	in	mm	in	mm
02	.83	21.1	.375	9.53
03	1.21	30.7	.750	19.05
04	1.58	40.1	1.125	28.58
05	1.96	49.8	1.500	38.10
06	2.33	59.2	1.875	47.63
07	2.71	68.8	2.250	57.15
08	3.08	78.2	2.625	66.68
09	3.46	87.9	3.000	76.20
10	3.83	97.3	3.375	85.73
11	4.21	107	3.750	95.25
12	4.58	116	4.125	104.78
13	4.96	126	4.500	114.30
14	5.33	135	4.875	123.83
15	5.71	145	5.250	133.35
16	6.08	154	5.625	142.88
17	6.46	164	6.000	152.40
18	6.83	173	6.375	161.93
19	7.21	183	6.750	171.45
20	7.58	193	7.125	180.98
21	7.96	202	7.500	190.50
22	8.33	212	7.875	200.03
23	8.71	221	8.250	209.55
24	9.08	231	8.625	219.08
25	9.46	240	9.000	228.60
26	9.83	250	9.375	238.13

<b>RELEASED</b> EC NO: IFC2016-0008 DRWN: SVMURTHY 2015/06/30 CHKD: RSTONE 2015/06/30 APPR: JFMURPHY 2016/07/11 A	QUALITY SYMBOLS F/0 F/0 F/0	GENERAL TOLERANCES (UNLESS SPECIFIED)		DIMENSION STYLE IN/MM		SCALE 2:1	DESIGN UNITS INCH	THIRD ANGLE PROJECTION
		4 PLACES ± --- ± ---	mm INCH	DRAWN BY DATE SVMURTHY 2015/06/30	TITLE 9.53MM [.375"] SR BTS RA ASSY, NO MTG			
		3 PLACES ± --- ± .005		CHECKED BY DATE RSTONE 2015/06/30				
		2 PLACES ± 0.13 ± .01		APPROVED BY DATE JFMURPHY 2016/07/11	MATERIAL NO. 387112302	DOCUMENT NO. SD-38711-5302	SHEET NO. 2 OF 2	
ANGULAR ± 2 ° DRAFT WHERE APPLICABLE MUST REMAIN WITHIN DIMENSIONS		THIS DRAWING CONTAINS INFORMATION THAT IS PROPRIETARY TO MOLEX INCORPORATED AND SHOULD NOT BE USED WITHOUT WRITTEN PERMISSION						

9 8 7 6 5 4 3 2 1