



**TPD-280-H**

2.8" Touch HMI Device with 1 x RS-485



**TPD-280U-H**



**TPD-283-H**

2.8" Touch HMI Device with Ethernet (PoE)



**TPD-283U-H**

2.8" Touch HMI Device with 1 x RS-485, Ethernet (PoE)

**Features**

- High-color high-resolution touch screen
- PoE (Power over Ethernet)
- RS-485 (including Self-Tuner)
- RTC (Real Time Clock)
- Free HMIWorks development tool
- Support C language and Ladder Designer
- Support user-defined third party protocol (C language)
- Modbus TCP/RTU protocol
- Operating Temperature: -20 ~ 70 °C

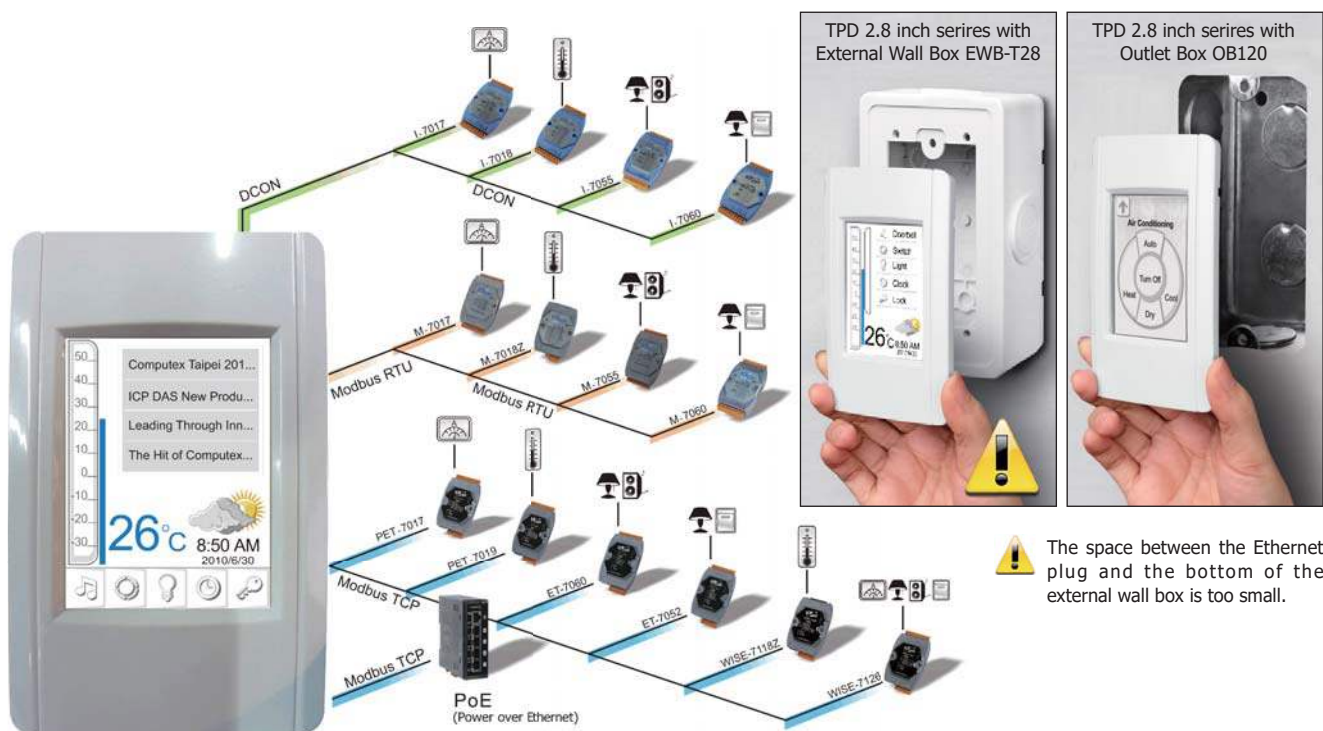


**Introduction**

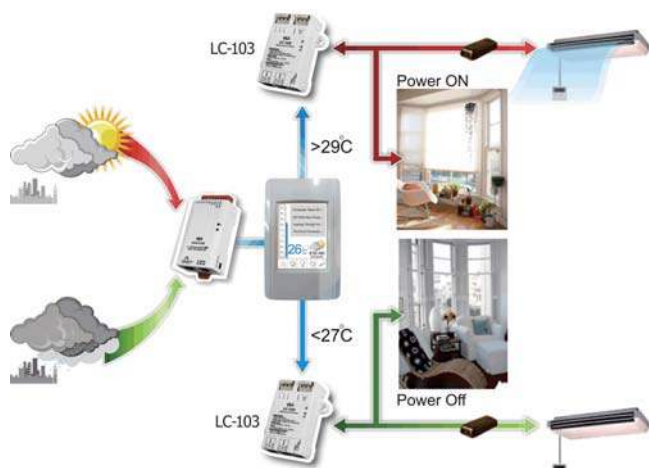
The **TouchPAD TPD 2.8" Series**, TPD-280-H/TPD-280U-H/TPD-283-H/TPD-283U-H, is a series of touch HMI and designed for building and home automation. The TPD 2.8" Series is equipped with high-color high-resolution TFT touch screen and fits in with regular electrical wall-mount outlet. Besides, it is seamlessly integrated with rich I/O modules and presents beautiful, flexible and user-defined picture frame. In short, it is the best choice to upgrade the mechanical switch to intelligent control pads.

For PLC users, HMIWorks provides Ladder Designer, and for IT users, C language environment is provided. Especially, it only takes no more than 30 minutes to learn how to create an application program of TouchPAD series devices when using Ladder Designer. Moreover, by utilizing the Ethernet functionality of the TouchPAD, users can easily implement a redundant control solutions. With all the features provided, TouchPAD series touch HMI Devices must be the most cost effective HMI Device ever been in the market.

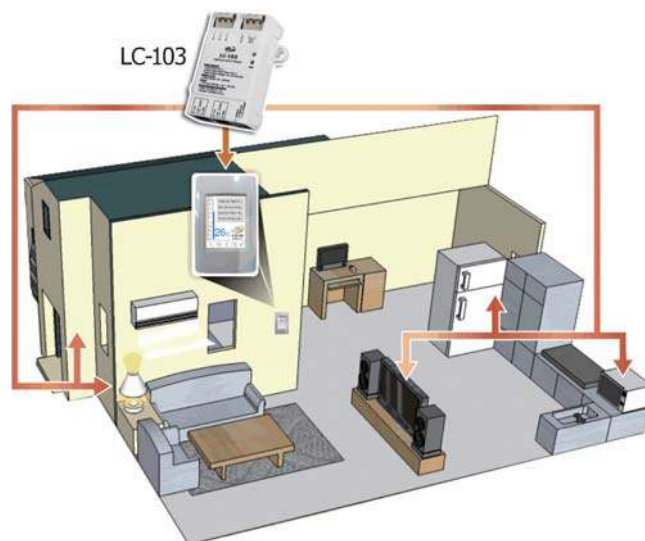
**Applications**



### Temperature Control Example



### Intelligent Building Example

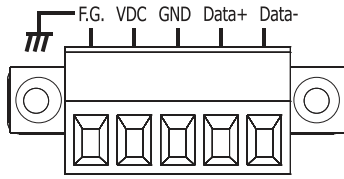


## Specifications

Model	TPD-280-H	TPD-280U-H	TPD-283-H	TPD-283U-H
<b>Main Unit</b>				
CPU	32-bit RISC CPU			
Storage	-	16 MB SDRAM/ 16 MB Flash	-	16 MB SDRAM/ 16 MB Flash
Real Time Clock	-	Yes	-	Yes
<b>Display</b>				
Type	LCD 2.8 TFT (Resolution 240 x 320 x 16), defective pixels <= 3			
Backlight Life	20,000 hours			
Brightness	160 cd/m2			
Touch Panel	Yes			
<b>HMI</b>				
Buzzer	Yes			
Rotary Switch	Yes			
<b>Ethernet</b>				
Ports	-		RJ-45 x 1, 10/100 Base-TX	
<b>Power</b>				
Consumption	1.5 W			
Powered from PoE	-	-	IEEE 802.3af, Class1 (48 V)	
Powered from Terminal Block	+12 ~ 48 VDC	+12 ~ 48 VDC	-	+12 ~ 48 VDC
<b>Mechanical</b>				
Dimensions (mm)	119 mm x 76 mm x 33 mm			
Installation	Wall Mounting			
Ingress Protection Rating	Front Panel: IP40			
<b>Environmental</b>				
Operating Temperature	-20 ~ +70°C			
Storage Temperature	-30 ~ +80 °C			
Humidity	10 ~ 90% RH, Non-condensing			

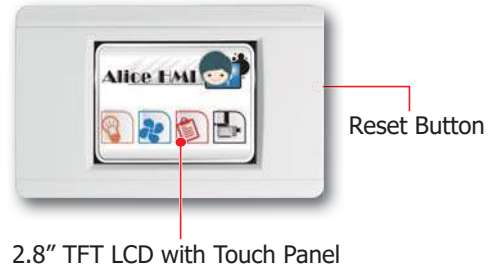
## Pin Assignments

TPD-280-H/TPD-280U-H/TPD-283U-H



## Appearance

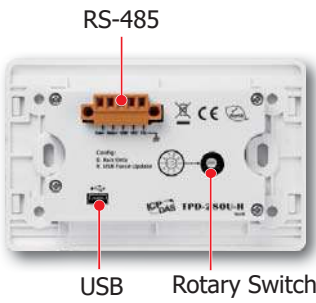
Front View



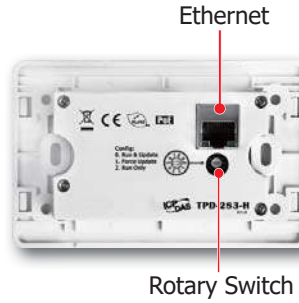
TPD-280-H Rear View



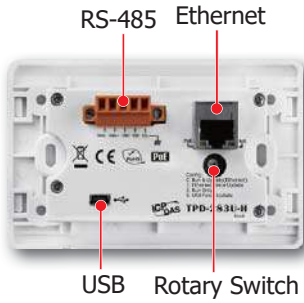
TPD-280U-H Rear View



TPD-283-H Rear View

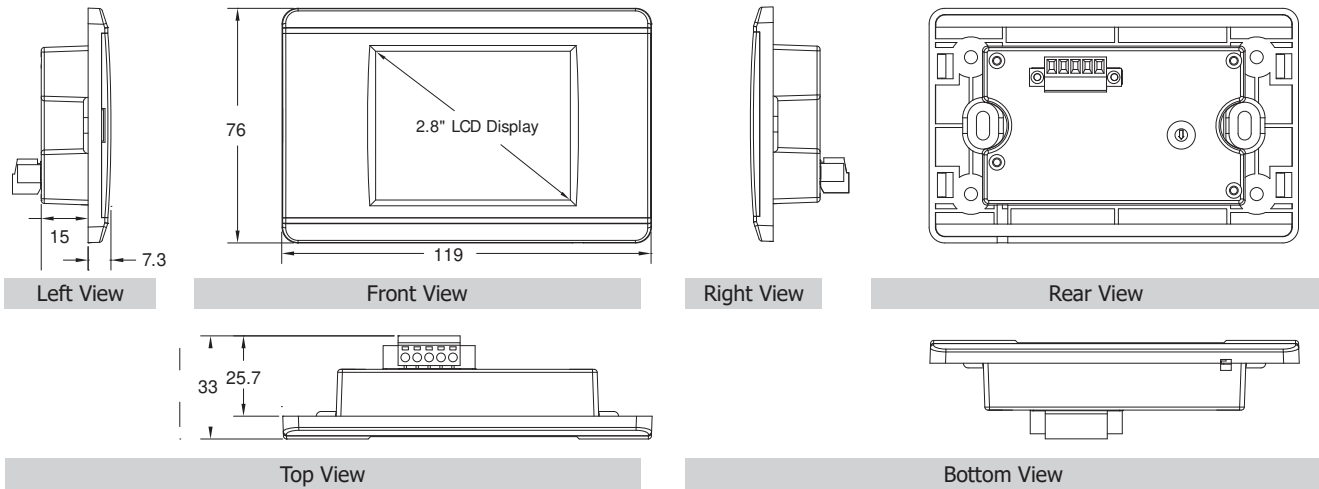


TPD-283U-H Rear View

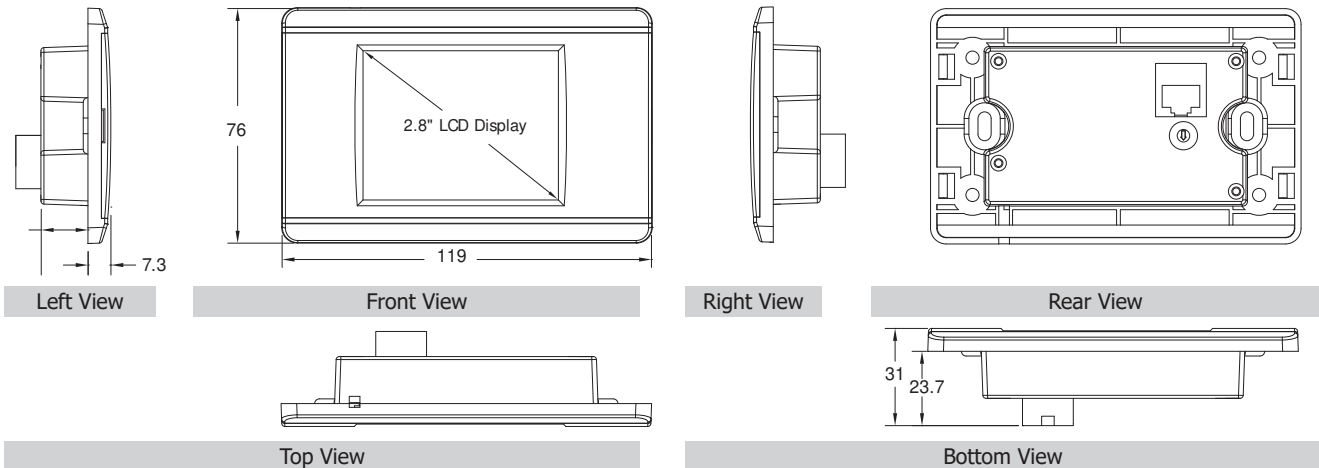


## Dimensions (Units: mm)

TPD-280-H/TPD-280U-H









TPD-283-H/TPD-283U-H



## Ordering Information

<b>TPD-280-H CR</b>	2.8" Touch HMI Device with 1 x RS-485 (RoHS)
<b>TPD-280U-H CR</b>	2.8" Touch HMI Device with 1 x RS-485, RTC and USB Download Port (RoHS)
<b>TPD-283-H CR</b>	2.8" Touch HMI Device with Ethernet (PoE) (RoHS)
<b>TPD-283U-H CR</b>	2.8" Touch HMI Device with 1 x RS-485, RTC, Ethernet (PoE) and USB Download Port (RoHS)

## Accessories

 CA-USB10	USB to 5P Mini-USB, 28AWG, 1.5 m
 NS-208PSE CR	Unmanaged Industrial PoE (Power over Ethernet) Ethernet Switch (RoHS)
 MDR-60-24 CR	24 VDC/2.5 A, 60 W Power Supply with DIN-Rail Mounting (RoHS)
 EWB-T28	External Wall Box for TPD 2.8 inch series
 EWB-T28-BK	External Wall Box for TPD 2.8 inch series (Black)
 OB120	Outlet Box for TPD 2.8 inch series and TPD-430/ TPD-433 Devices