

# MIT-W101

## 10" Medical Tablet PC with Intel® Celeron® Processor



### Features

- Intel® Celeron® N2930 Quad Core processor
- Support Windows 8 Operating System
- 10.1" WXGA, Projective Capacitive Multi Touch Display
- 0° C to 35° C (32° F to 95° F), IP65, MIL-STD 810G, 4ft drop compliant
- Compact/Slim design: 20mm/0.79inch height
- Seamless communications, Including Wi-Fi, BT, NFC (optional)
- Warm swappable battery
- Optional integrated 1D/2D barcode scanner and expansion module (MSR+SMC)
- Optional accessories include: 6ft drop rugged bumper, docking station, VESA dock, hand strap, and multi-function cover

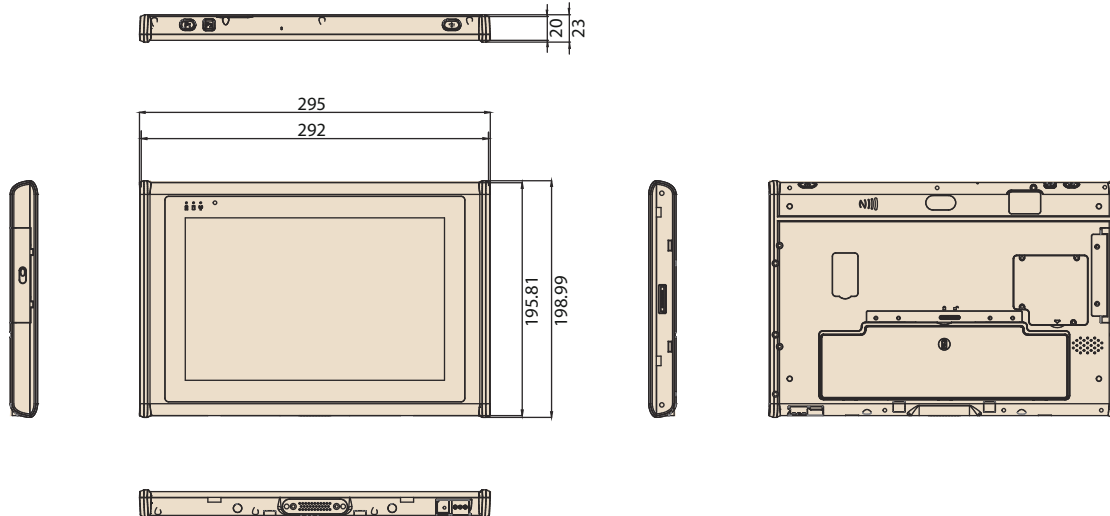


### Specifications

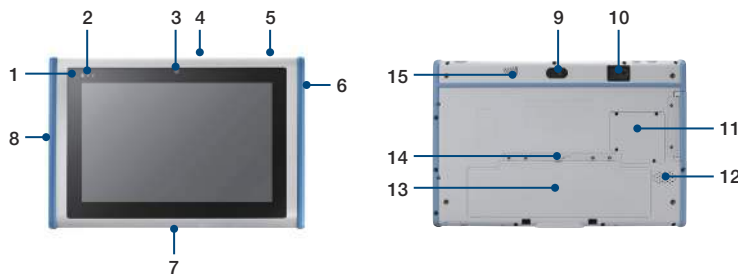
Computing System	CPU	Intel® Celeron® Processor N2930
	Max. Speed	Quad Core 1.83GHz
	Memory	DDR3L 1066MHz SODIMM ( Default 4GB / Up to 8GB)
	Operating System	Microsoft Windows Embedded 8 (Default), Microsoft Windows Embedded 7 (Optional)
Storage	SSD	1 x mSATA SSD (Default 64GB /support up to 128GB)
Display	Display Type	10.1" TFT LCD panel
	Max. Resolution	1280 x 800
	Touch Type	Projected Capacitive Multi-Touch
	Glass Type	Enhanced glass
Communication	WIFI	Wireless IEEE 802.11a/b/g/n
	Bluetooth	Bluetooth v4.0 CLASS II
	NFC	Read/Write Device Compatible with ISO15693, ISO14443A, ISO14443B, Felica (Optional)
Audio		Internal Speaker x 1, Internal mono microphone x 1
Connectivity	I/O Port Interfaces	Combo audio x1, USB 3.0 x1, USB 2.0 x1, Micro HDMI x1, DC Jack x1, Expansion port x1, Docking port x1
	Embedded I/O Devices	2.0M fixed focus camera at front
		5.0M auto focus camera with LED flash at rear 2D barcode scanner (Optional)
Control Buttons		Power button Programmable button x2
System Indicators		Power / Battery status x1, HDD x1, Wireless /BT x1
Ingress Protection	Water / Dust Resistance	IP-65 Compliant
Power Supply	AC Adapter In	100 – 240 V ~ 1.5A 50/60 Hz
	AC Adapter Out	18 V, 3.5 A Max, 63W
	Battery Capacity	Main battery: 31.7 Whrs (11.1V 2860mAh) Extended battery: 49 Whrs (11.1V 4540mAh) (Optional)
Environment	Temperature	Operating: 0°C ~ +35°C, 32°F ~ 95°F Storage: -30°C ~ 70°C / -22°F ~ 158°F
	Humidity	Operating: 5% ~ 95% @ 40°C/104°F non-condensing Storage: 5% ~ 95% @40°C/104°F non-condensing
	Vibration	Operation: (5-500GHz) 1G Non-operating: (5-500GHz) 0.04PSD
	Shock Resistance	Operating: 20 G, 11 ms, non-operating: 40 G, 11ms
	Handling Drop	4ft drop onto steel plate, 4ft drop onto 2inch plywood over concrete (MIL-STD 810G compliant) 6ft drop with add-on bumper
Physical Characteristics	Dimension (W x H x D)	292 x 196 x 20 mm/ 11.5 x 7.7 x 0.79 inches
	Weight	1.1 kg/ 2.4lb (Base configuration)
	Color	White
Regulatory Approvals		FCC Class B, CE, IEC/ EN 60601-1

## Dimensions

Unit: mm



## Front/Rear View



- |                                |                                |
|--------------------------------|--------------------------------|
| 1. Status Indicator            | 9. Rear Camera (5MP)           |
| 2. Function Key (Programmable) | 10. Barcode Scanner (Optional) |
| 3. Front Camera (2MP)          | 11. SSD Cover                  |
| 4. Built-in MIC                | 12. Built-in Speaker           |
| 5. Power Button                | 13. Battery                    |
| 6. Extension I/O Ports         | 14. Battery Latch              |
| 7. Docking I/O Ports           | 15. NFC                        |
| 8. I/O Cover                   |                                |
| - Micro HDMI x 1               |                                |
| - USB 3.0 x 1                  |                                |
| - USB 2.0 x 1                  |                                |
| - Audio I/O                    |                                |

## Ordering Information

Part Number	Description
MIT-W101-Q04DNW00E	N2930/ 4GDDR/ 64GSSD/ WiFi/ BT/ White/ WES8
MIT-W101-Q04DNWF2E	N2930/ 4GDDR/ 64GSSD/ WiFi/ BT/ Barcode/ White/ WES8
MIT-W101-Q24DNW00E	N2930/4GDDR/64GSSD/WiFi/BT/White/Win10 IoT Eng 64Bit

## Peripheral Ordering Information

Part Number	Description
1700018704	Power Cord UK BSI 2P 10A 250V 180cm 18AWG
1702002605	Power cord 2P FRANCE 10A/16A 220V 1.83M 90D
1702002600	Power Cord 3P UL/CSA(USA) 125V 10A 1.83M 180D

# MIT-W101

## MIT-W101 Series Accessories

### Docking Station



### VESA Dock



### Expansion Module



### Extended Battery Pack



### Rugged Bumper



Order P/N	MIT-W101-ACCDSW01E	MIT-W101-ACCVDW01E	MIT-W101-ACCEMW01E	1760002134-01	MIT-W101-ACCBHW01E
Color	White	White	White	White	Blue
Dimension	260.8 x 185 x 103.8 mm	224.7 x 200 x 56.4 mm	193 x 17 x 5.3 mm	210 x 64 x 15 mm	220 x 47 x 30 mm (1 pc)
Weight	1 kg (2.2 lb)	630 g (1.39 lb)	85 g (0.19 lb)	320 g (0.7 lb)	172 g (0.38 lb)
Remark	Power Input: 19V/ 3.4A	Power input: 18~19V/ 3.5A VESA mount (75 x 75 mm)	MSR & Smart Card Reader	Battery Capacity: 11.1V/ 2860 mAh (1760002134-01)	Rugged bumper set with hand strap

### Multi-function Cover



### X-Type Hand Strap



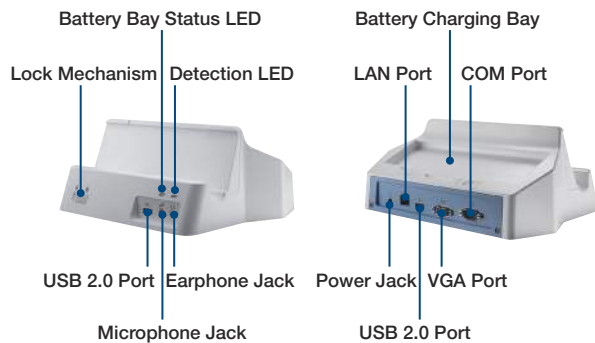
### Stylus



Order P/N	MIT-M101-ACCVBW01E	9680016895	9680016896
Color	Silver + Black	Black	White
Dimension	276.6 x 175.5 x 9 mm	280 x 165 mm	120 x 7 mm
Weight	210 g (0.46 lb)	70 g (0.15 lb)	15g
Remark	VESA mount (75 x 75 mm)	M4 x 8 mm screws included	Body materials-copper alloy

## I/O Ports

### Docking Station



### VESA Docking Station

