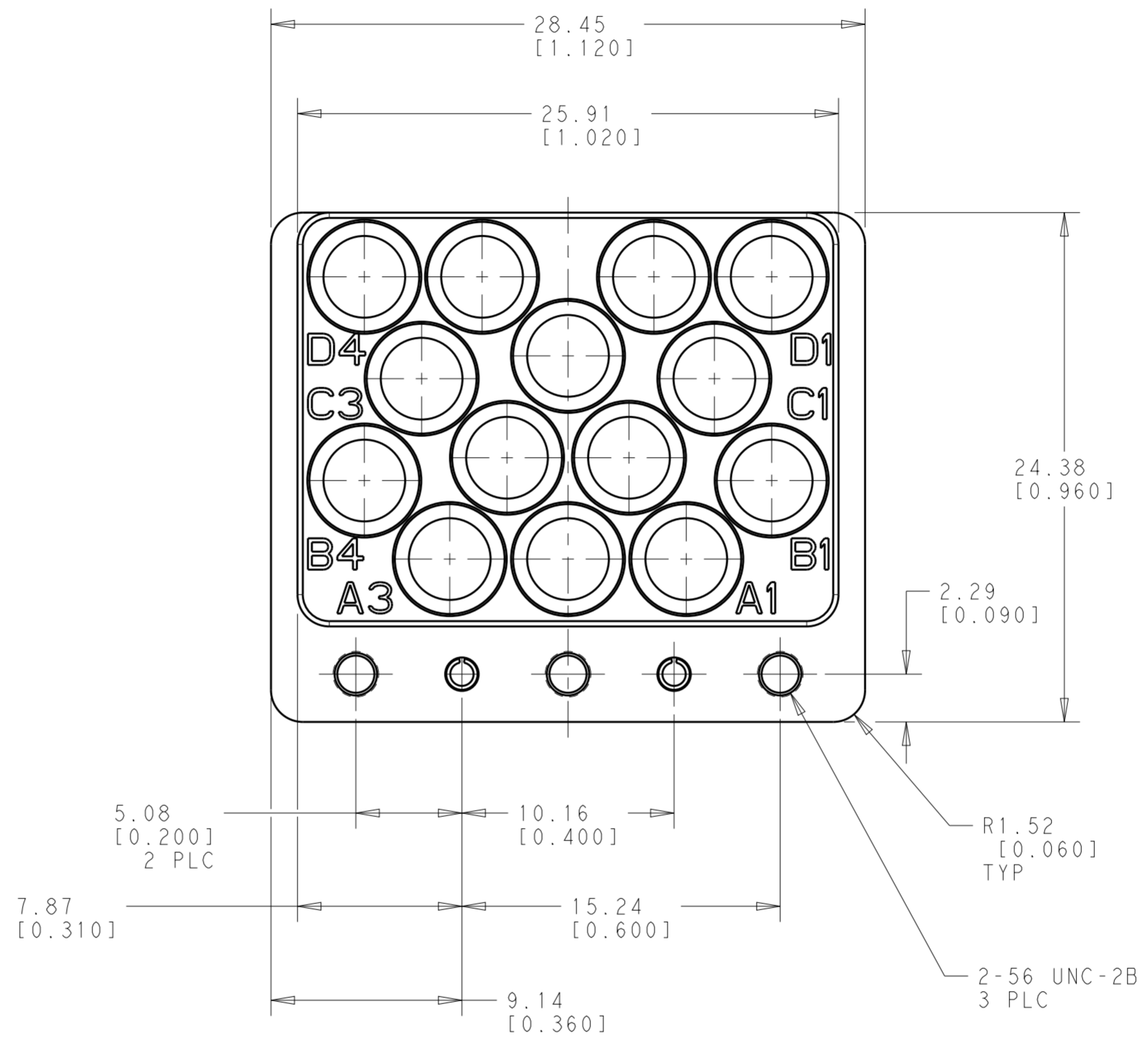
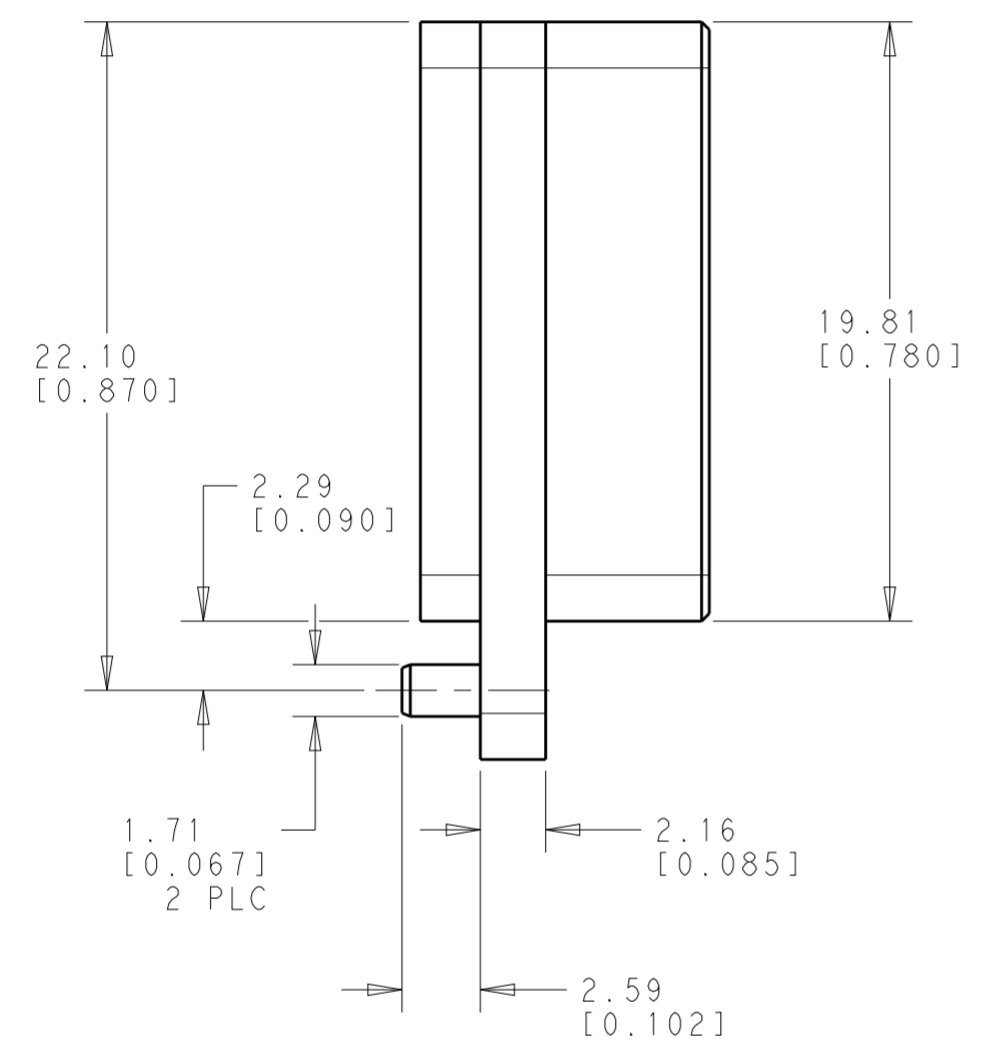
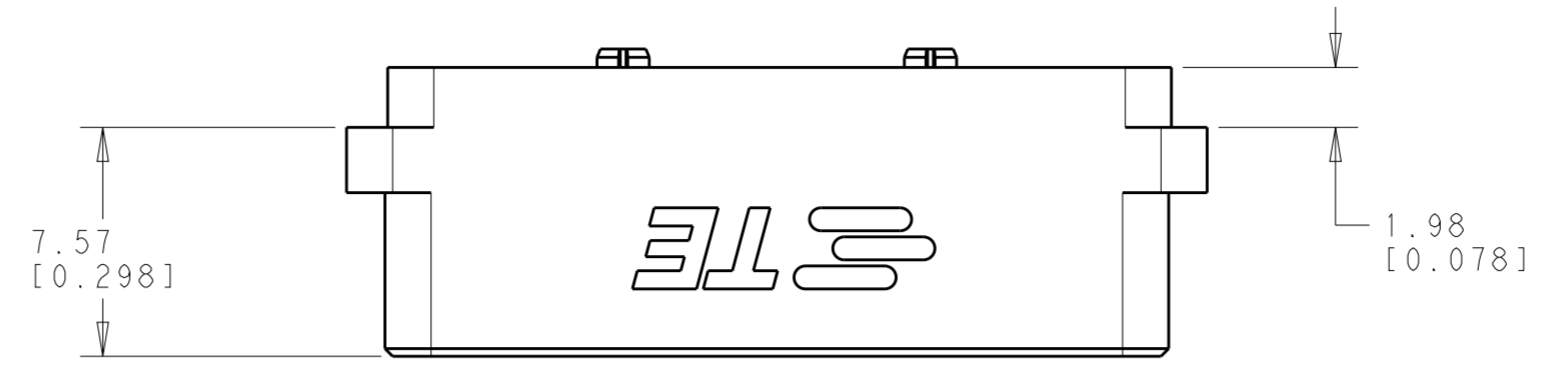


THIS DRAWING IS UNPUBLISHED. RELEASED FOR PUBLICATION 20
 © COPYRIGHT 20 BY - ALL RIGHTS RESERVED.

REVISIONS				
P	LTR	DESCRIPTION	DATE	APVD
A		RELEASED PER ECO 19-008968	8-15-19	CT FB



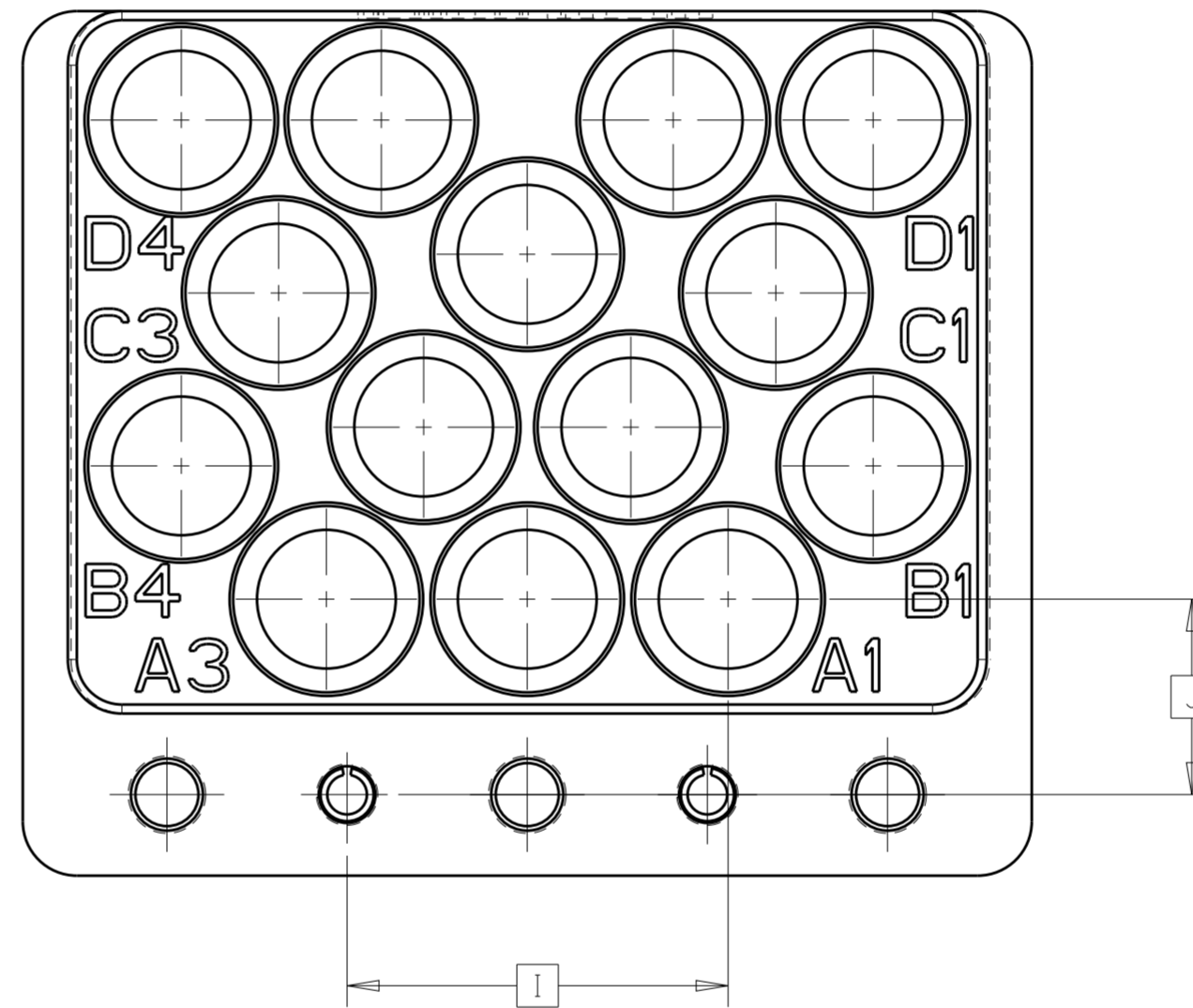
TE PART NO.	COMPONENT	MATERIAL	FINISH
2332827-2	HOUSING	ALUMINUM ALLOY 7075-T651	TRIVALENT CHROMATE CONVERSION COATING, PER MIL-DTL-5541F, CLASS 1A, TYPE II
	SPRING PIN	NICKEL STAINLESS STEEL	PASSIVATED
2332827-1	HOUSING	STAINLESS STEEL PER ASTM A484 AND ASTM A582, TYPE 303	PASSIVATED
	SPRING PIN	NICKEL STAINLESS STEEL	PASSIVATED

THIS DRAWING IS A CONTROLLED DOCUMENT.

DWN K. MILLER 22FEB2019	 TE Connectivity VITA 67.3 BACKPLANE MODULE 14 POSN PER VITA 65.1 R6.4.5.6.4 FOR FRNT WASHER SMPM FLOAT MNT JACK			
CHK F. BLASICK 22FEB2019				
APVD F. BLASICK 22FEB2019				
PRODUCT SPEC				
MATERIAL	SIZE	CAGE CODE	DRAWING NO	RESTRICTED TO
-	A2	00779	C-2332827	-
CUSTOMER DRAWING		SCALE	SHEET	REV
		4:1	1 OF 3	A

THIS DRAWING IS UNPUBLISHED. RELEASED FOR PUBLICATION 20
 © COPYRIGHT 20 BY - ALL RIGHTS RESERVED.

REVISIONS				
P	LTR	DESCRIPTION	DATE	APVD
-		SEE SHEET 1	-	-

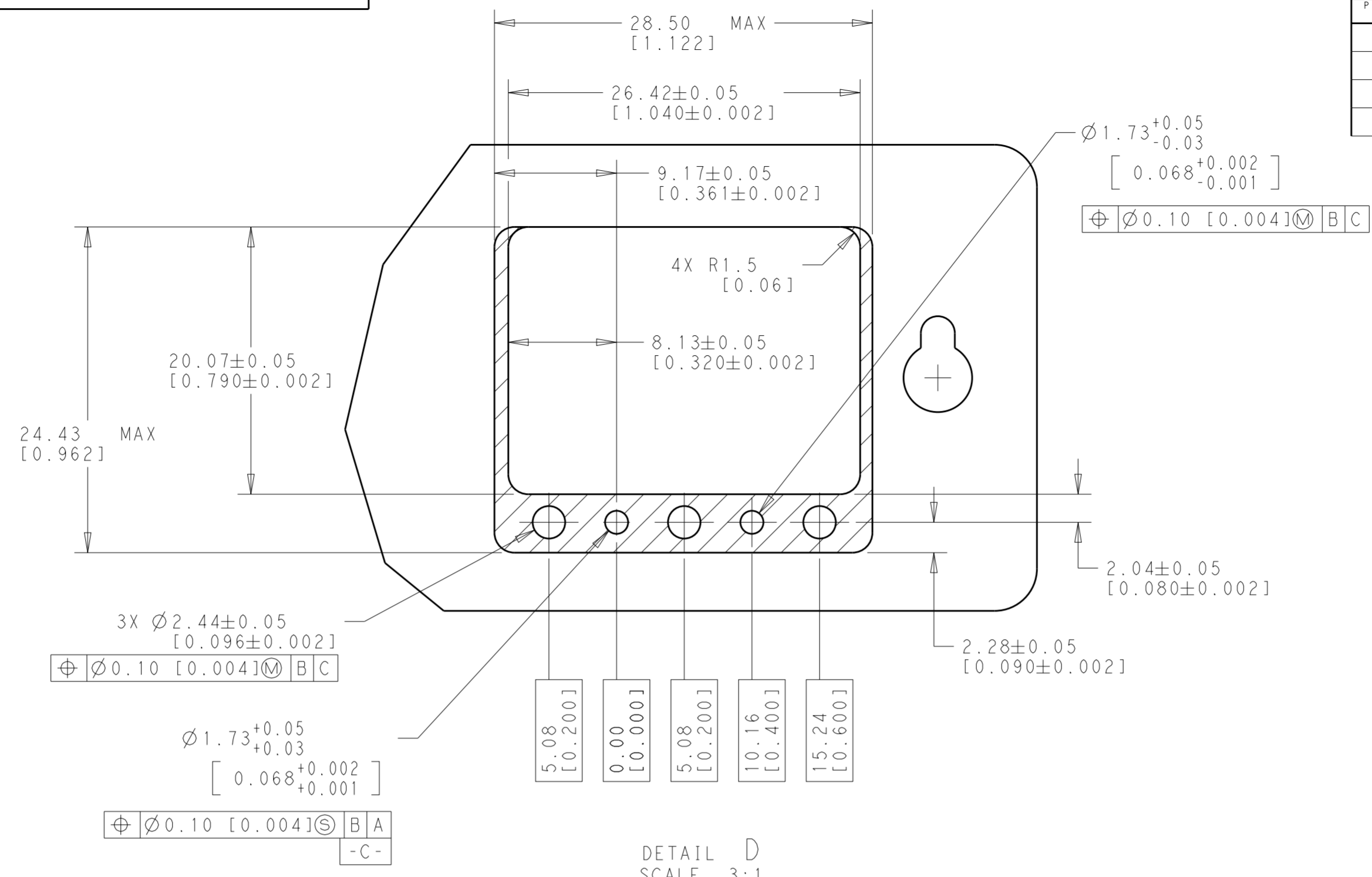


HOLE CHART		
HOLE ID	I	J
A1	10.744 [.423]	5.512 [.217]
A2	5.08 [.200]	5.512 [.217]
A3	-0.584 [-.023]	5.512 [.217]
B1	14.834 [.584]	9.271 [.365]
B2	8.001 [.315]	10.363 [.408]
B3	2.159 [.085]	10.363 [.408]
B4	-4.674 [-.184]	9.271 [.365]
C1	12.09 [.476]	14.148 [.557]
C2	5.08 [.200]	15.240 [.600]
C3	-1.930 [-.076]	14.148 [.557]
D1	14.834 [.584]	19.025 [.749]
D2	9.195 [.362]	19.025 [.749]
D3	0.965 [.038]	19.025 [.749]
D4	-4.674 [-.184]	19.025 [.749]

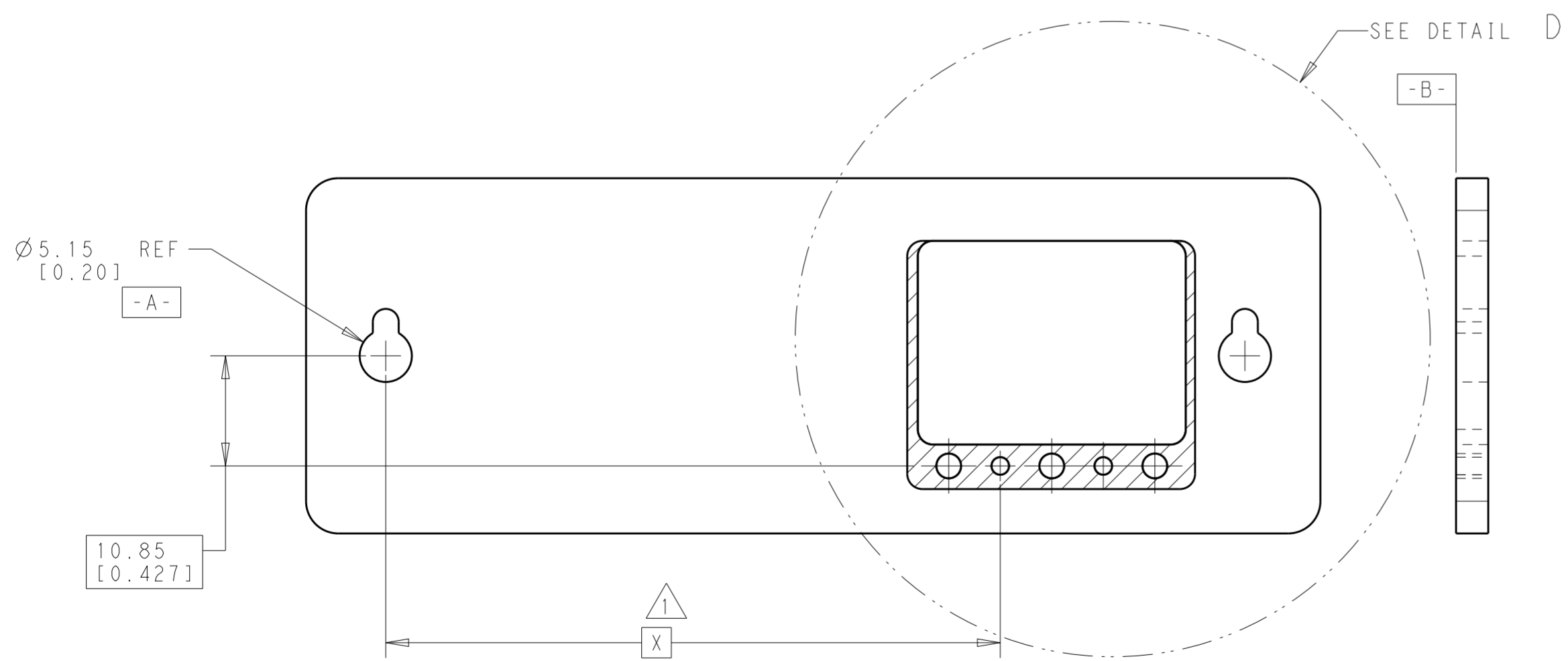
THIS DRAWING IS A CONTROLLED DOCUMENT.		DWN K. MILLER 22FEB2019	TE Connectivity
DIMENSIONS: mm [INCHES]		CHK F. BLASICK 22FEB2019	
TOLERANCES UNLESS OTHERWISE SPECIFIED:		APVD F. BLASICK 22FEB2019	
0 PLC ± 1 PLC ±0.5 [.02] 2 PLC ±0.13 [.005] 3 PLC ±0.013 [.0005] 4 PLC ± ANGLES ± FINISH		PRODUCT SPEC - APPLICATION SPEC - WEIGHT -	
MATERIAL	-	CUSTOMER DRAWING	NAME VITA 67.3 BACKPLANE MODULE 14 POSN PER VITA 65.1 R6.4.5.6.4 FOR FRNT WASHER SMPM FLOAT MNT JACK SIZE CAGE CODE DRAWING NO RESTRICTED TO A200779 C-2332827 -
		SCALE 4:1	SHEET 2 OF 3
			REV A

THIS DRAWING IS UNPUBLISHED. RELEASED FOR PUBLICATION 20
 © COPYRIGHT 20 BY - ALL RIGHTS RESERVED.

REVISIONS				
P	LTR	DESCRIPTION	DATE	APVD
-		SEE SHEET 1	-	-



DETAIL D
 SCALE 3:1



THIS DRAWING IS A CONTROLLED DOCUMENT.		DWN K. MILLER 22FEB2019	TE Connectivity
DIMENSIONS: mm [INCHES]		CHK F. BLASICK 22FEB2019	
TOLERANCES UNLESS OTHERWISE SPECIFIED:		APVD F. BLASICK 22FEB2019	
0 PLC ± 1 PLC ±0.5 [0.02] 2 PLC ±0.13 [0.005] 3 PLC ±0.013 [0.0005] 4 PLC ± ANGLES ± FINISH ±		PRODUCT SPEC - APPLICATION SPEC - WEIGHT -	
MATERIAL	-	CUSTOMER DRAWING	NAME VITA 67.3 BACKPLANE MODULE 14 POSN PER VITA 65.1 R6.4.5.6.4 FOR FRNT WASHER SMPM FLOAT MNT JACK SIZE CAGE CODE DRAWING NO RESTRICTED TO A200779 C-2332827 - SCALE 4:1 SHEET 3 OF 3 REV A