



# 2422 MHz Cavity Bandpass Filter

**Part Number: AB2422B575**



## Electrical specifications

**Center Frequency:** 2422 MHz  
**3dB Bandwidth:** 22 MHz  
**Input / Output Impedance:** 50 Ohms  
**Passband:** 2411 – 2433 MHz  
**Passband Insertion Loss:** 2 dB max  
**Passband Ripple:** <0.2 dB  
**Passband Return Loss:** 15 dB min.  
**Passband Flatness:** 0.5 dB max  
**Out of Band Rejection for Frequency:** <2397 MHz: 60 dB min  
**Out of Band Rejection for Frequency:** >2447 MHz: 60 dB min  
**Power Handling:** 50 W

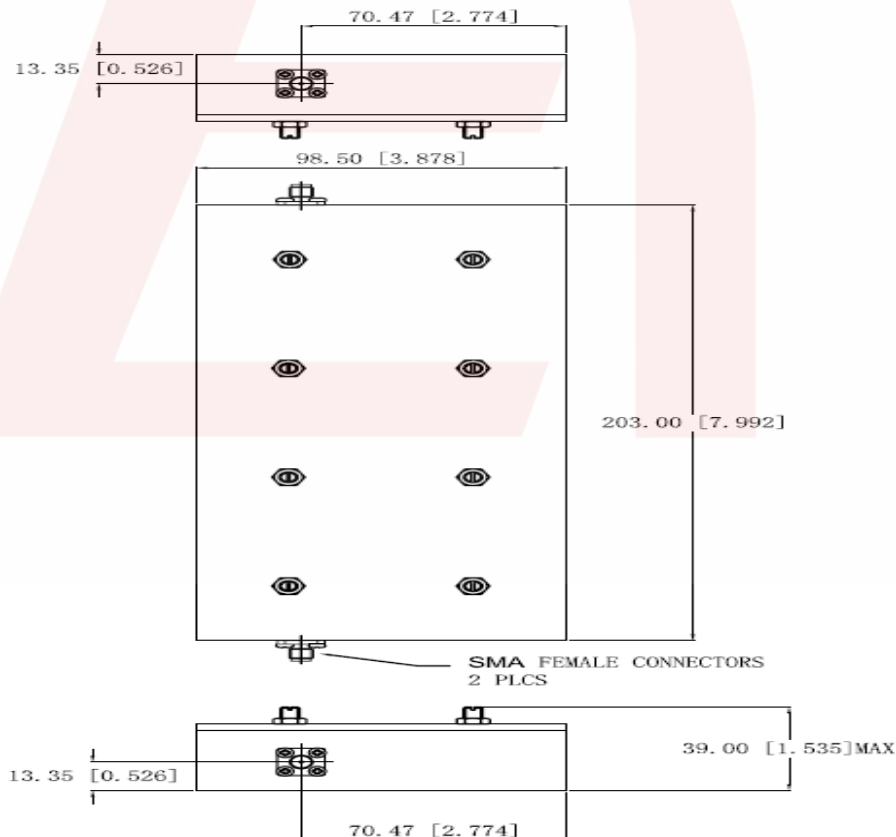
## Mechanical

**Mounting Method:** Threaded Mounting Holes  
**Connector Type:** SMA Female  
**Dimensions:** 203 x 98.5 x 39 mm.

## Environmental

**Operating Temperature:** -45 to +85 deg.C  
**Storage Temperature:** -55 to +95 deg.C  
**Shock:** 20 G. 11ms  
**Vibration:** 20 G. 5 to 200 MHz

## Outline Drawing:





**ANATECH ELECTRONICS INC**  
RF & Microwave Filters & Products

# 2422 MHz Cavity Bandpass Filter

Part Number: AB2422B575



## Response Plot:

