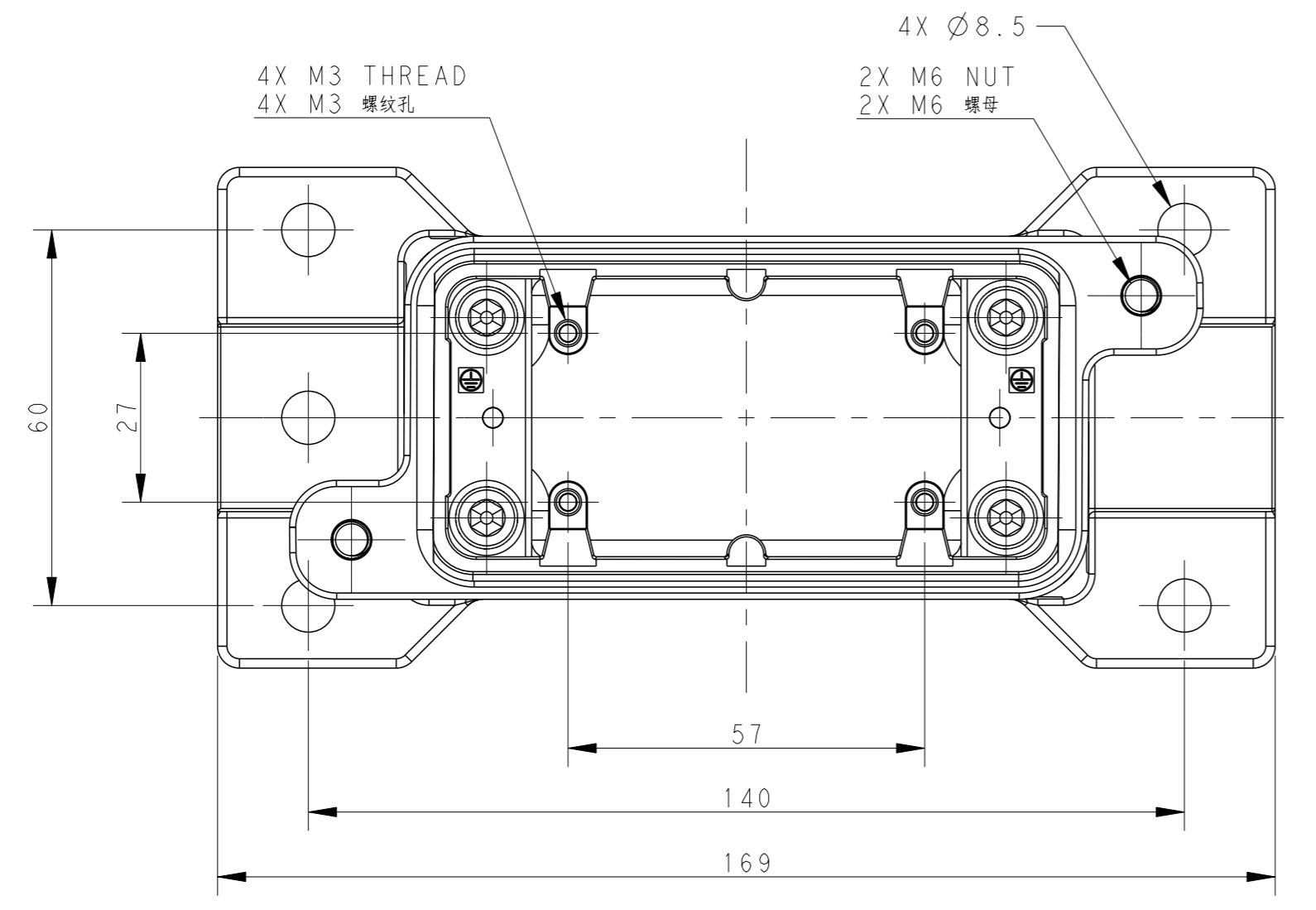
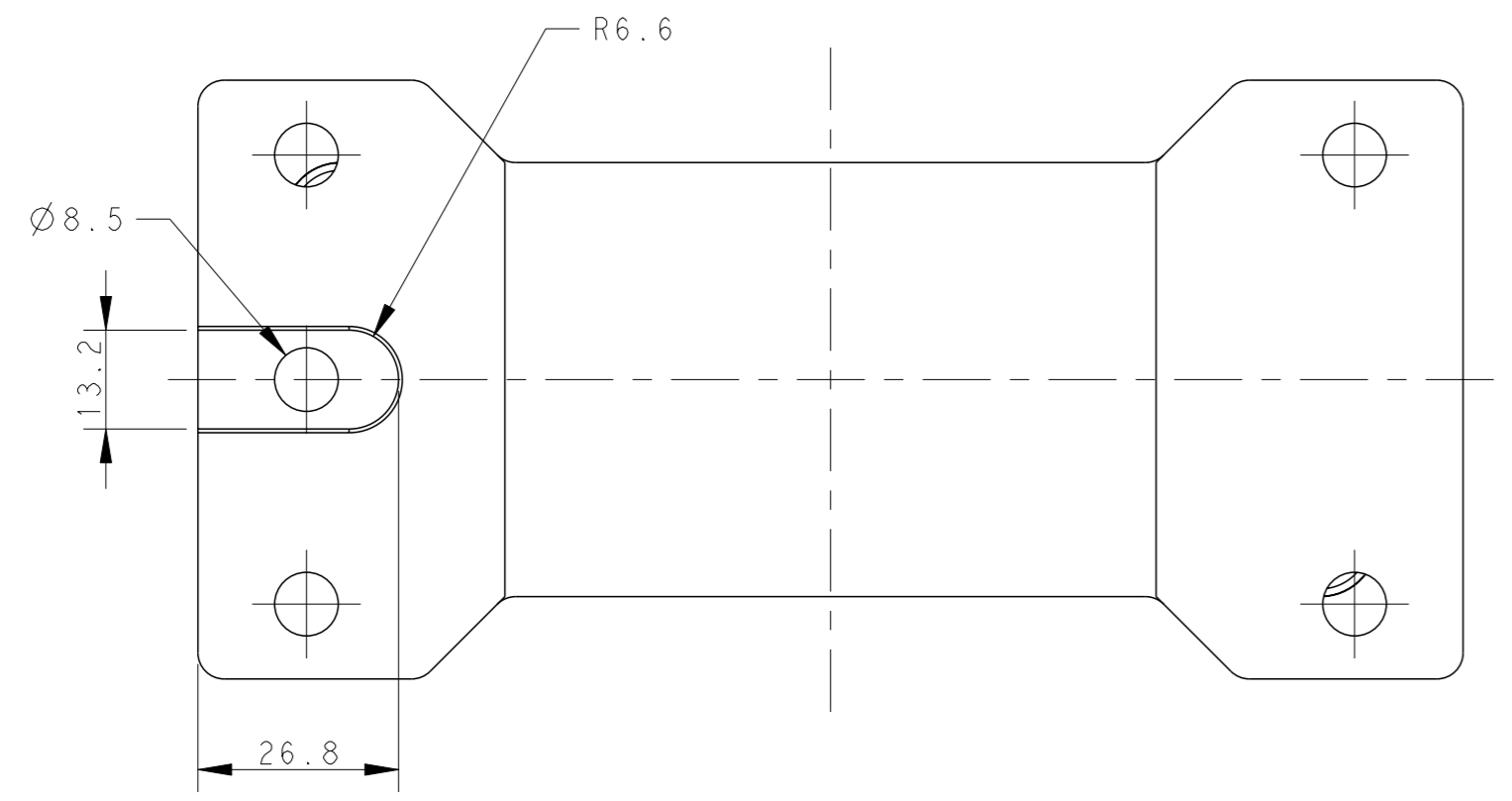
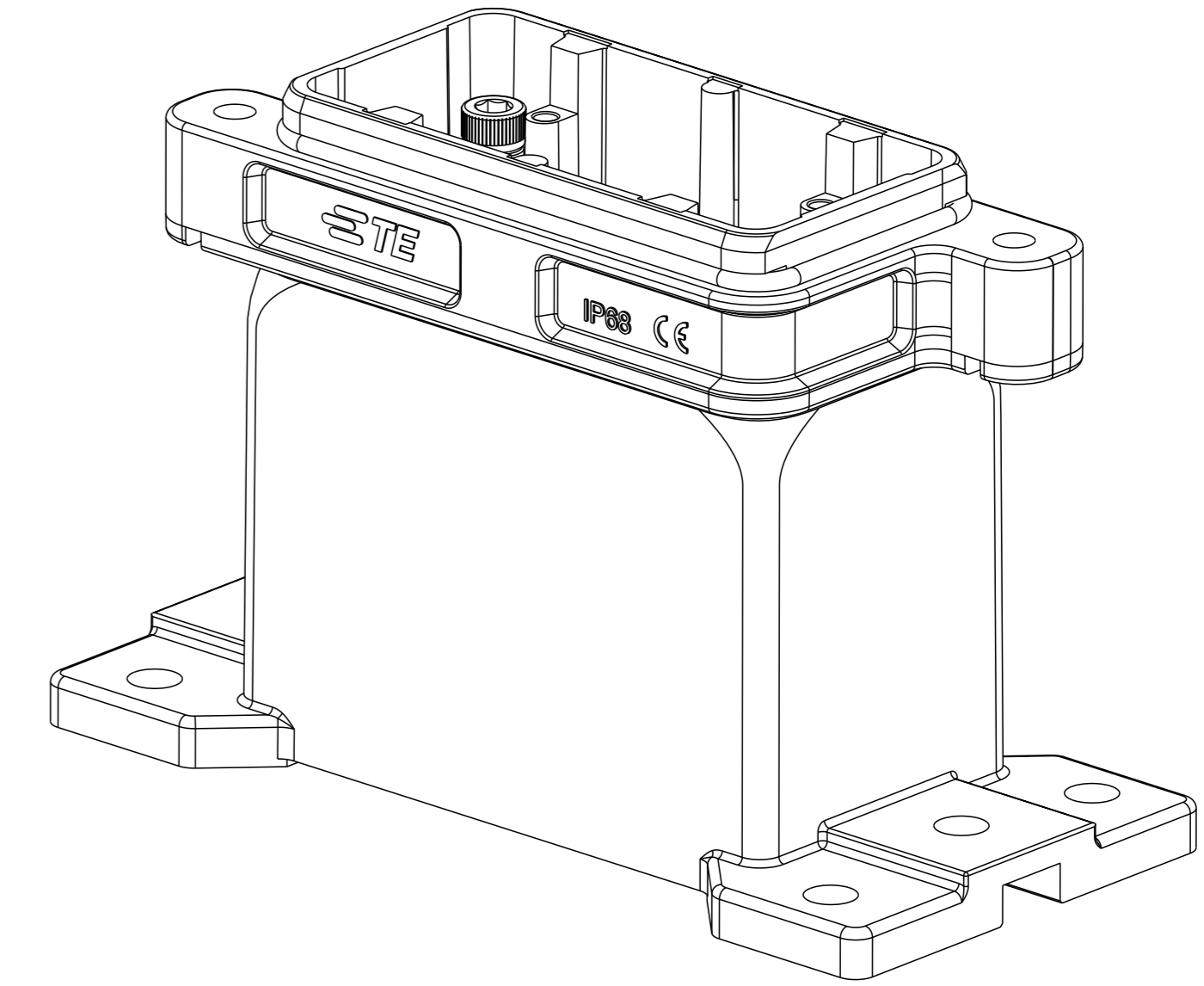
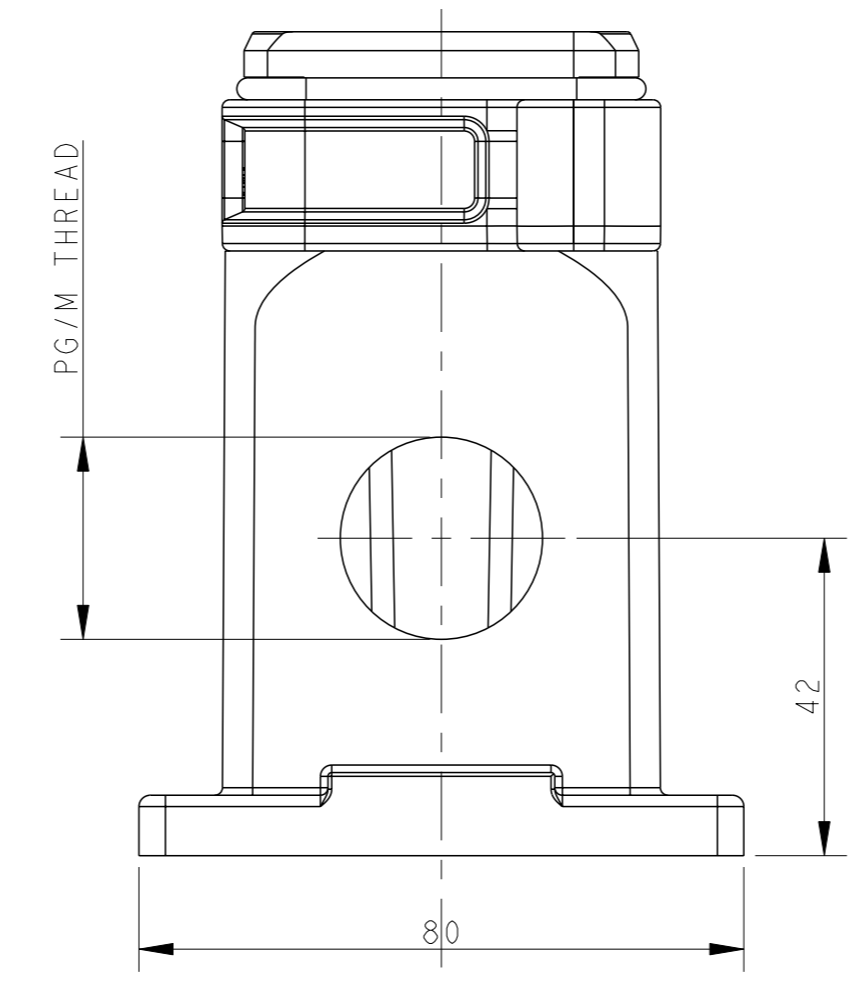
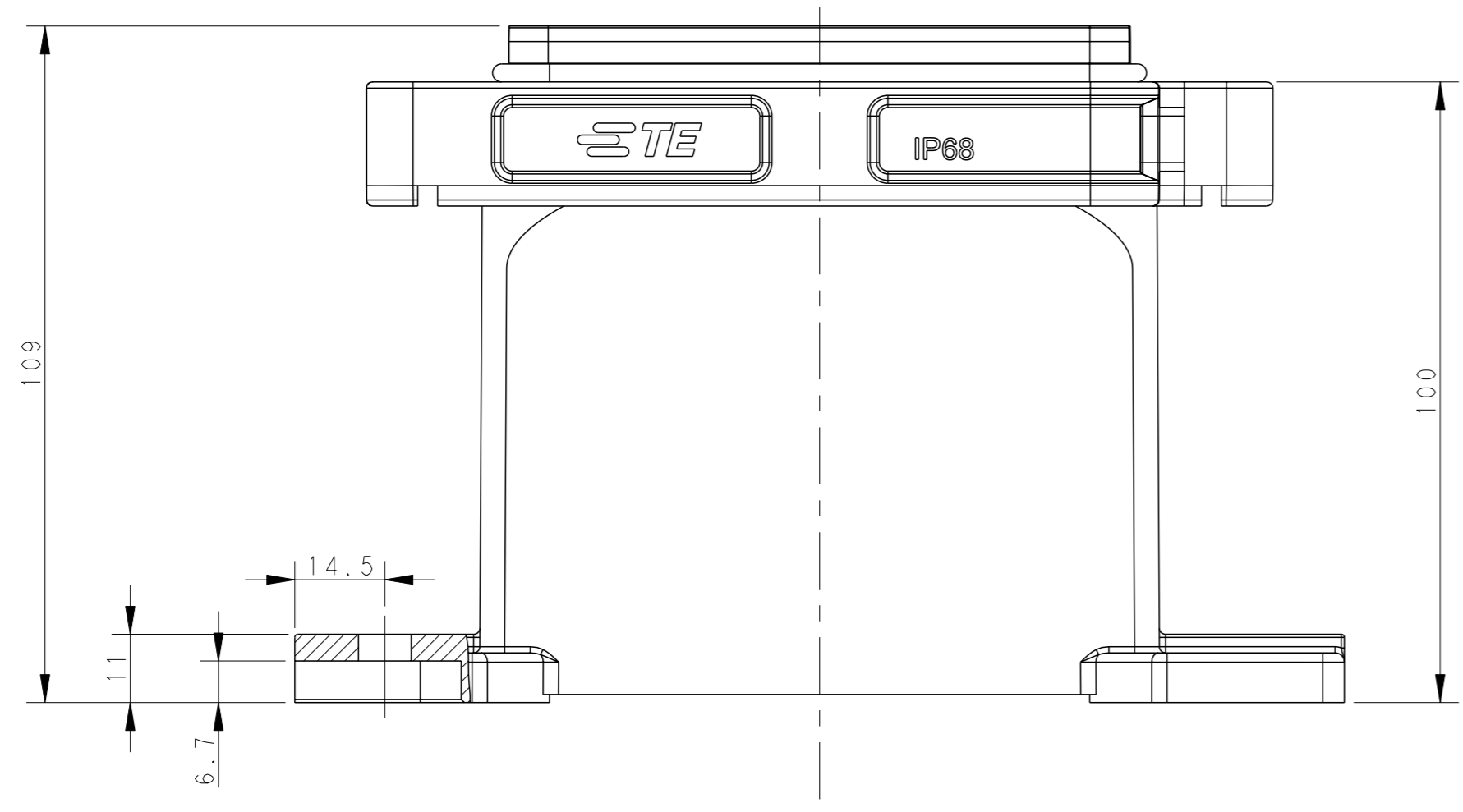


REVISIONS				
#	LY#	DESCRIPTION	DATE	OWN APVD
A		INITIAL RELEASE	19SEP2016	DW CW
B		ECR-20-016312	04JUN2021	BS CW



NOTES:
 1. TECHNICAL CHARACTERISTICS:
 HOUSING MATERIAL: DIE CAST ALUMINIUM ALLOY
 SURFACE TREATMENT: SEE TABLE
 DEGREE OF PROTECTION: IP68 (MATED)

注释:
 1. 技术参数:
 壳体材料: 铝合金
 表面处理: 见表格
 防护等级: IP68 (配合)



PART NUMBER	PART DESCRIPTION	PG/M THREAD
T1950100132-009	H10BPR-SGRH-M32-EMC-C H10BPR HOUSING, DIAGONAL LOCKING, SURFACE MOUNTED, SIDE ENTRY M32 POWDER COATED, BLACK / H10BPR 对角锁定表面下壳M32 黑色	M32
T1950100129-009	H10BPR-SGRH-PG29-EMC-C H10BPR HOUSING, DIAGONAL LOCKING, SURFACE MOUNTED, SIDE ENTRY PG29 POWDER COATED, BLACK / H10BPR 对角锁定表面下壳PG29 黑色	PG29
T1950100125-009	H10BPR-SGRH-M25-EMC-C H10BPR HOUSING, DIAGONAL LOCKING, SURFACE MOUNTED, SIDE ENTRY M25 POWDER COATED, BLACK / H10BPR 对角锁定表面下壳M25 黑色	M25
T1950100121-009	H10BPR-SGRH-PG21-EMC-C H10BPR HOUSING, DIAGONAL LOCKING, SURFACE MOUNTED, SIDE ENTRY PG21 POWDER COATED, BLACK / H10BPR 对角锁定表面下壳PG21 黑色	PG21

THIS DRAWING IS A CONTROLLED DOCUMENT.

DWNS: DAVID WANG 19SEP2016	TE Connectivity NAME: H10BPR-SGRH-PG/M-EMC-C				
CHK: Chris.Wang 19SEP2016					
APVD: Xiang Xu 19SEP2016					
PRODUCT SPEC					
DIMENSIONS: mm	TOLERANCES UNLESS OTHERWISE SPECIFIED:	SIZE: A1	CAGE CODE: -	DRAWING NO: T195010XXXXX09	RESTRICTED TO: -
0 PLC ±	1 PLC ±	SCALE: 1:1	SHEET: 1	OF: 1	REV: B
2 PLC ±	3 PLC ±	CUSTOMER DRAWING			
4 PLC ±	ANGLES FINISH: -				