

	Date	16-Sep-2022	SPECIFICATION	OLE WOLFF
	Page	1 / 4		www.owolff.com
	CN	P/N: OWPB-3045W-32.5-24		Revision: 03



SPECIFICATION FOR APPROVAL

Piezo Transducer

Part Number	OWPB-3045W-32.5-24
Note	This item was compliance with the following requirements: 1. RoHS directive 2. REACH
Customer P/N	

Ole Wolff	Signature / Date	Prepared	Checked	Approved
		Yaobaoxin 2022.9.16		

Customer	Signature / Date	Confirmation		

REVISION NOTES:

Date	Rev.	Description of Revision
2019.04.26	00	Initial Release
2019.04.30	01	Add FREQUENCY RESPONSE
2020.12.09	02	Change wire to 1571 AWG28#
2022.9.16	03	Update operating temperature range : -30°C ~ +85°C to -30°C ~ +60°C; Update storage temperature range: -40°C ~ +85°C to -30°C ~ +60°C. Update wire length.

OLE WOLFF ELEKTRONIK A/S Roedengvej 25 4180 Soroe Denmark TEL: +45 57833830 FAX: +45 57820019	OLE WOLFF ELECTRONICS INC. 1525 McCarthy Blvd, Suite 1093 Milpitas, Ca 95035 USA TEL: +1 408 888 8413	OLEWOLFF ELEKTRONIK GmbH Schulstrasse 15A. DE-25451 Quickborn, Germany TEL: +49 (0) 4106 765900 FAX: +49 (0) 4106 627297	OLEWOLFF ELECTRONICS 3 Bedford Street, Woburn, Bedfordshire MK17 9QB, ENGLAND TEL: +44 (0) 1525 290755 FAX: +44 (0) 1525 290855	OLE WOLFF ELEKTRONIK Yliopistonkatu 26 (P.O.BOX 257) FI-40101 Jyväskylä Finland TEL: +358 14 338 3050 FAX: +358 14 338 3059	OLE WOLFF (ASIA) LTD. Unit B, 19/F., Bold Win Ind. Bldg., No. 16-18 Wah Sing St., Kwai Chung, N.T., H.K. TEL: +852 2424 3274 FAX: +852 2424 2219	OLE WOLFF LTD. Unit 7A08, Block 2, Elite Building, Nanshan Avenue, Nanshan District, Shenzhen, PRC. TEL: +86 755 82612542 TEL: +86 755 26406156
---	---	--	--	--	--	---

	Date	16-Sep-2022	SPECIFICATION	OLE WOLFF
	Page	2 / 4		www.owolff.com
	CN	P/N: OWPB-3045W-32.5-24		Revision: 03

1. SCOPE

THIS SPECIFICATION IS APPLIED TO OLE WOLFF PIEZO TRANSDUCER MODEL: OWPB-3045W-32.5-24

2. GENERAL REQUIREMENTS

OPERATING TEMPERATURE RANGE: -30°C ~ +60°C

STORAGE TEMPERATUR RANGE: -30°C ~ +60°C

3. MECHANICAL LAYOUT & DIMENSIONS

DIMENSIONS: SHOWN IN FIGURE 4.

WEIGHT: TBD

4. ELECTRICAL CHARACTERISTICS

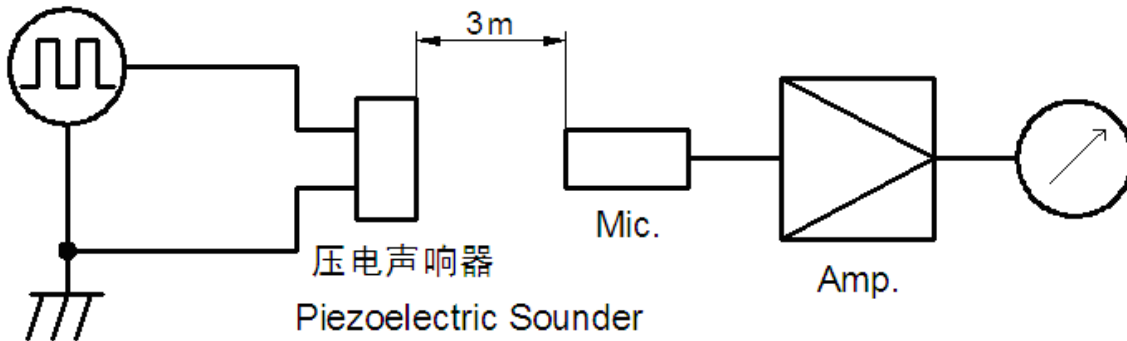
NO.	ITEM	SPECIFICATION
1	RATED VOLTAGE	24V _{p-p}
2	Drive Voltage, Continuous (V _{P-P})	30V _{p-p}
3	Drive Voltage, Intermittent (V _{P-P})	40V p-p
4	RESONANT FREQUENCY	3000-4000 Hz Single product testing.
		2750-3500Hz Installed in the case testing.
5	CAPACITANCE AT 120HZ	120000±30%pF
6	*RATED CURRENT	≤100mA
7	* SOUND OUTPUT AT 3M	≥80dB at Peak point frequency Single product testing.
		≥90dB at Peak point frequency Installed in the case testing.

*Applying rated voltage (Resonant frequency, Square wave)

OLE WOLFF ELEKTRONIK A/S Roedengvej 25 4180 Soroe Denmark TEL: +45 57833830 FAX: +45 57820019	OLE WOLFF ELECTRONICS INC. 1525 McCarthy Blvd, Suite 1093 Milpitas, Ca 95035 USA TEL : +1 408 888 8413	OLEWOLFF ELEKTRONIK GmbH Schulstrasse 15A. DE-25451 Quickborn, Germany TEL: +49 (0) 4106 765900 FAX: +49 (0) 4106 627297	OLEWOLFF ELECTRONICS 3 Bedford Street, Woburn, Bedfordshire MK17 9QB, ENGLAND TEL: +44 (0) 1525 290755 FAX: +44 (0) 1525 290855	OLE WOLFF ELEKTRONIK Yliopistonkatu 26 (P.O.BOX 257) FI-40101 Jyväskylä Finland TEL: +358 14 338 3050 FAX: +358 14 338 3059	OLE WOLFF (ASIA) LTD. Unit B, 19/F., Bold Win Ind. Bldg., No. 16-18 Wah Sing St., Kwai Chung, N.T., H.K. TEL: +852 2424 3274 FAX: +852 2424 2219	OLE WOLFF LTD. Unit 7A08, Block 2, Elite Building, Nanshan Avenue, Nanshan District, Shenzhen, PRC. TEL: +86 755 82612542 TEL: +86 755 26406156
---	--	--	--	--	--	---

	Date	16-Sep-2022	SPECIFICATION	OLE WOLFF
	Page	3 / 4		www.owolff.com
	CN	P/N: OWPB-3045W-32.5-24		Revision: 03

5. TEST METHOD (Figure 1)

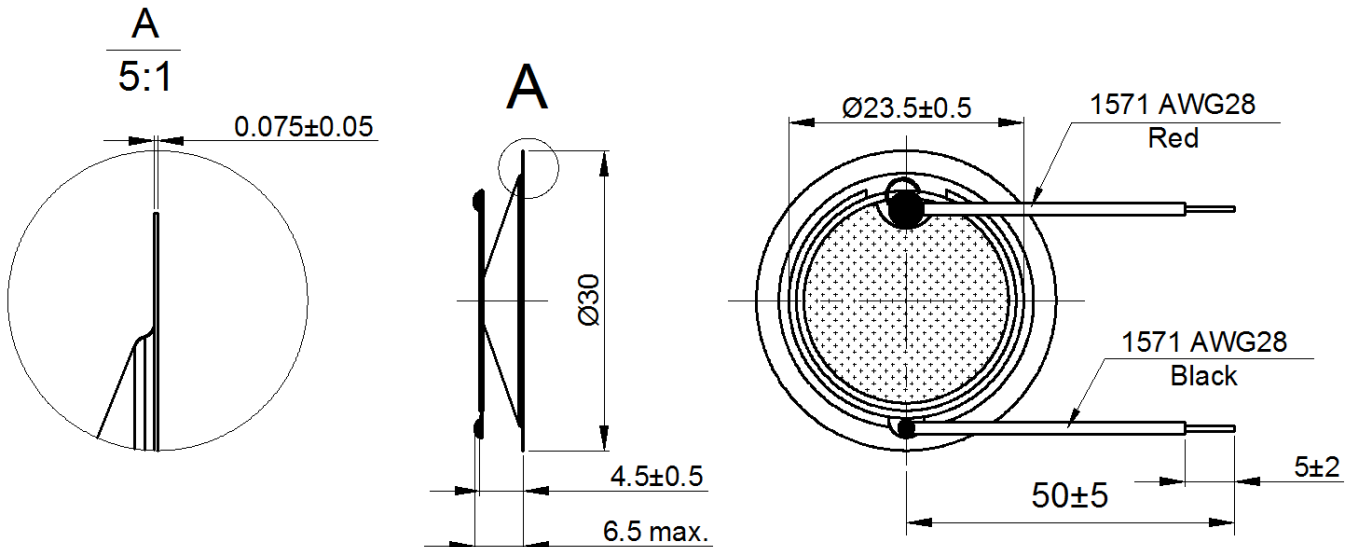


MIC: ND10 普通声级计或等同品
 MIC: ND10 Sound Meter or equivalent

信号发生器: DF1641D或等同品
 Signal Generator: DF1641D or equivalent

6. DIMENSIONS (Figure 2)

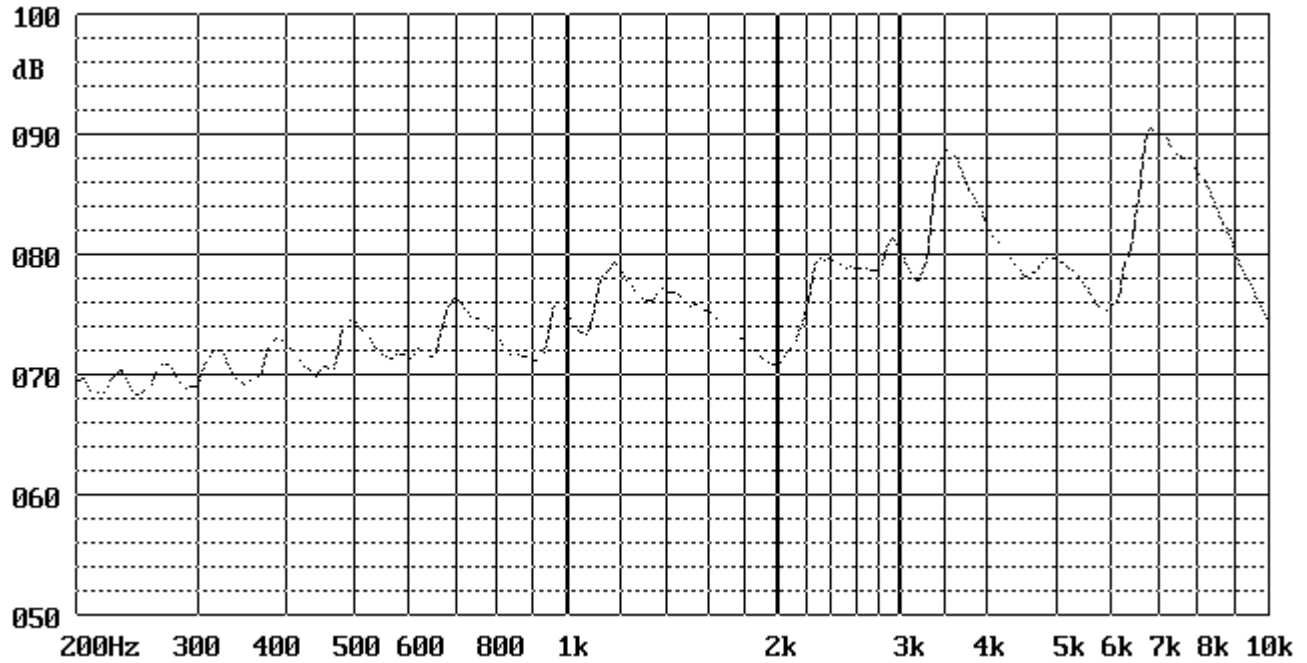
Unit: mm Tolerance: ± 0.5 mm Except Specified



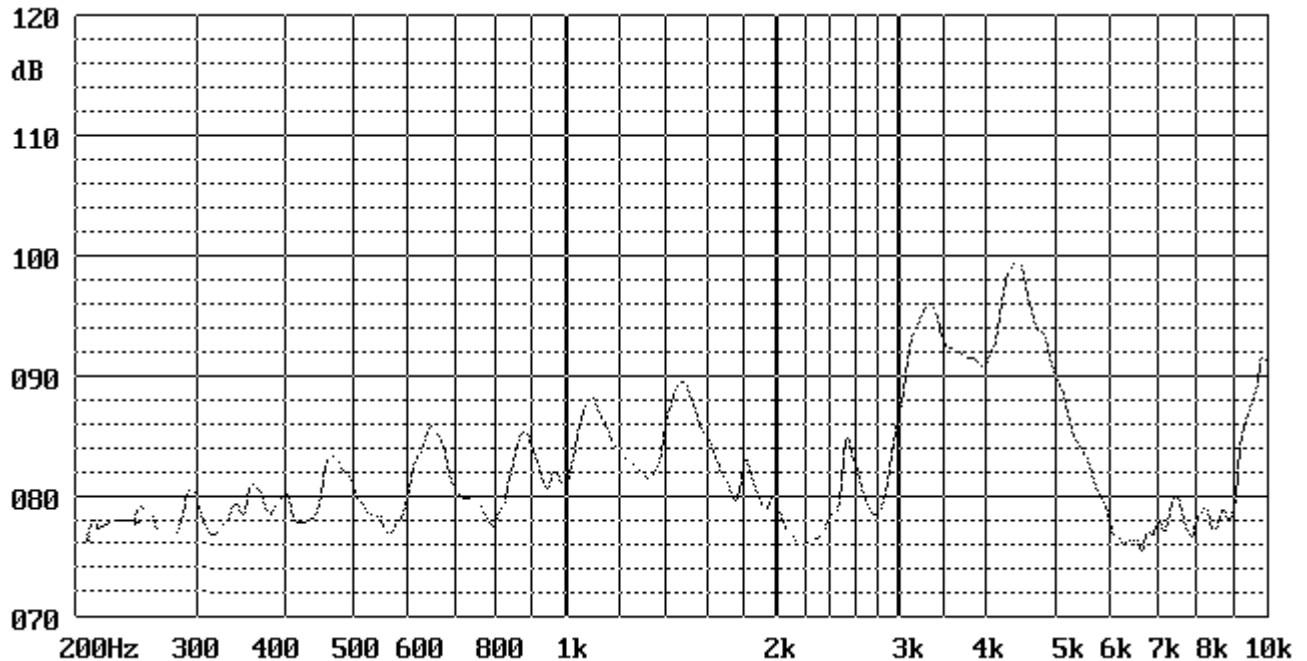
OLE WOLFF ELEKTRONIK A/S Roedengvej 25 4180 Soroe Denmark TEL: +45 57833830 FAX: +45 57820019	OLE WOLFF ELECTRONICS INC. 1525 McCarthy Blvd, Suite 1093 Milpitas, Ca 95035 USA TEL: +1 408 888 8413	OLEWOLFF ELEKTRONIK GmbH Schulstrasse 15A. DE-25451 Quickborn, Germany TEL: +49 (0) 4106 765900 FAX: +49 (0) 4106 627297	OLEWOLFF ELECTRONICS 3 Bedford Street, Woburn, Bedfordshire MK17 9QB, ENGLAND TEL: +44 (0) 1525 290755 FAX: +44 (0) 1525 290855	OLE WOLFF ELEKTRONIK Yliopistonkatu 26 (P.O.BOX 257) FI-40101 Jyväskylä Finland TEL: +358 14 338 3050 FAX: +358 14 338 3059	OLE WOLFF (ASIA) LTD. Unit B, 19/F., Bold Win Ind. Bldg., No. 16-18 Wah Sing St., Kwai Chung, N.T., H.K. TEL: +852 2424 3274 FAX: +852 2424 2219	OLE WOLFF LTD. Unit 7A08, Block 2, Elite Building, Nanshan Avenue, Nanshan District, Shenzhen, PRC. TEL: +86 755 82612542 TEL: +86 755 26406156
---	---	--	--	--	--	---

	Date	16-Sep-2022	SPECIFICATION	OLE WOLFF
	Page	4 / 4		www.owolff.com
	CN	P/N: OWPB-3045W-32.5-24		Revision: 03

7. FREQUENCY RESPONSE (Single product testing) (Figure 3)



8. FREQUENCY RESPONSE (Installed in the case testing) (Figure 4)



OLE WOLFF ELEKTRONIK A/S Roedengvej 25 4180 Soroe Denmark TEL: +45 57833830 FAX: +45 57820019	OLE WOLFF ELECTRONICS INC. 1525 McCarthy Blvd, Suite 1093 Milpitas, Ca 95035 USA TEL: +1 408 888 8413	OLEWOLFF ELEKTRONIK GmbH Schulstrasse 15A. DE-25451 Quickborn, Germany TEL: +49 (0) 4106 765900 FAX: +49 (0) 4106 627297	OLEWOLFF ELECTRONICS 3 Bedford Street, Woburn, Bedfordshire MK17 9QB, ENGLAND TEL: +44 (0) 1525 290755 FAX: +44 (0) 1525 290855	OLE WOLFF ELEKTRONIK Yliopistonkatu 26 (P.O.BOX 257) FI-40101 Jyväskylä Finland TEL: +358 14 338 3050 FAX: +358 14 338 3059	OLE WOLFF (ASIA) LTD. Unit B, 19/F., Bold Win Ind. Bldg., No. 16-18 Wah Sing St., Kwai Chung, N.T., H.K. TEL: +852 2424 3274 FAX: +852 2424 2219	OLE WOLFF LTD. Unit 7A08, Block 2, Elite Building, Nanshan Avenue, Nanshan District, Shenzhen, PRC. TEL: +86 755 82612542 TEL: +86 755 26406156
---	---	--	--	--	--	---