

# TMC 7 B1 END CAP - Wiring bridge end cover



1022231

<https://www.phoenixcontact.com/us/products/1022231>

Please be informed that the data shown in this PDF document is generated from our online catalog. Please find the complete data in the user documentation. Our general terms of use for downloads are valid.

Protective end covers for TMC 7 single-pole bus bars



## Commercial data

Item number	1022231
Packing unit	1 pc
Sales key	CL09
Product key	CLA126
GTIN	4055626515717
Weight per piece (including packing)	0.86 g
Weight per piece (excluding packing)	0.86 g
Country of origin	DE

# TMC 7 B1 END CAP - Wiring bridge end cover



1022231

<https://www.phoenixcontact.com/us/products/1022231>

## Technical data

### Product properties

Type	Cover
------	-------

# TMC 7 B1 END CAP - Wiring bridge end cover

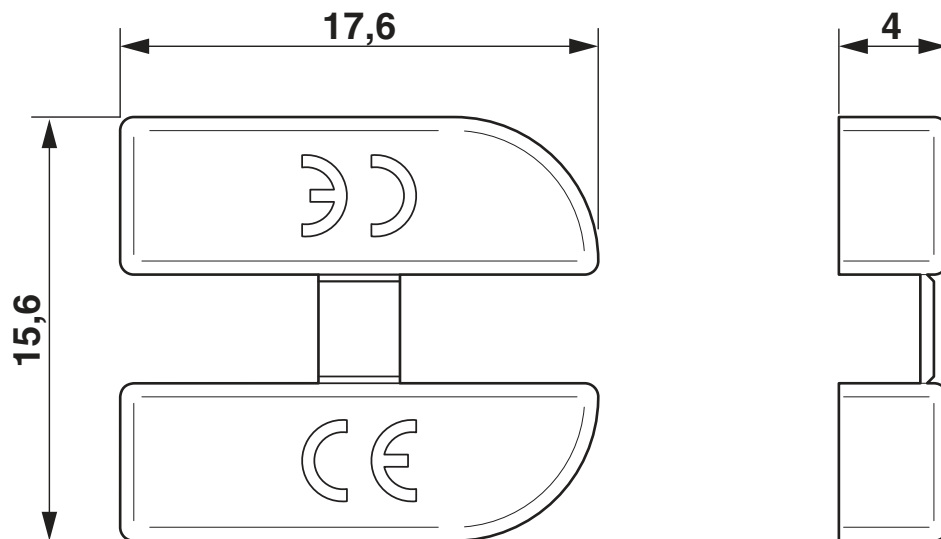
1022231

<https://www.phoenixcontact.com/us/products/1022231>



## Drawings

Dimensional drawing



# TMC 7 B1 END CAP - Wiring bridge end cover



1022231

<https://www.phoenixcontact.com/us/products/1022231>

## Approvals

To download certificates, visit the product detail page: <https://www.phoenixcontact.com/us/products/1022231>



**UL Listed**

Approval ID: FILE E 123528



**cUL Listed**

Approval ID: FILE E 123528

**cULus Listed**

# TMC 7 B1 END CAP - Wiring bridge end cover



1022231

<https://www.phoenixcontact.com/us/products/1022231>

## Classifications

### ECLASS

ECLASS-11.0

27140492

Phoenix Contact 2023 © - all rights reserved

<https://www.phoenixcontact.com>

Phoenix Contact USA

586 Fulling Mill Road

Middletown, PA 17057, United States

(+717) 944-1300

[info@phoenixcon.com](mailto:info@phoenixcon.com)