

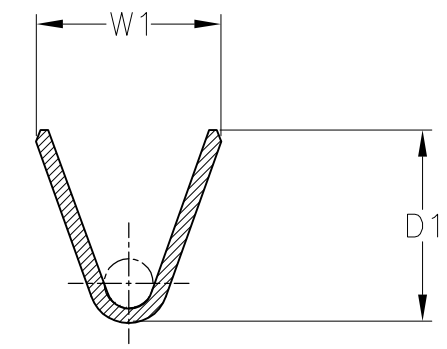
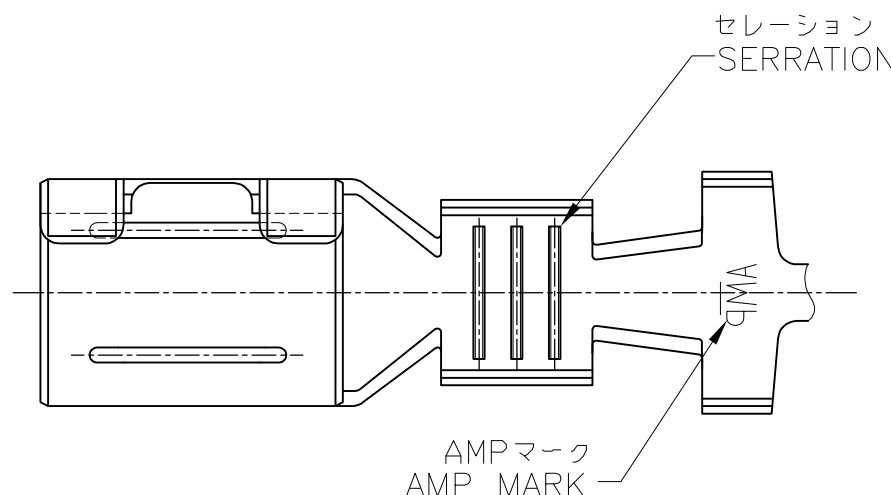
THIS DRAWING IS UNPUBLISHED.

RELEASED FOR PUBLICATION

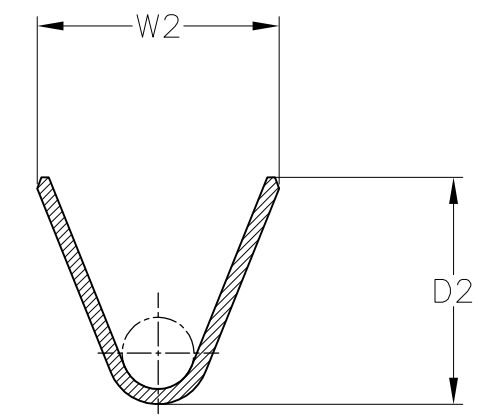
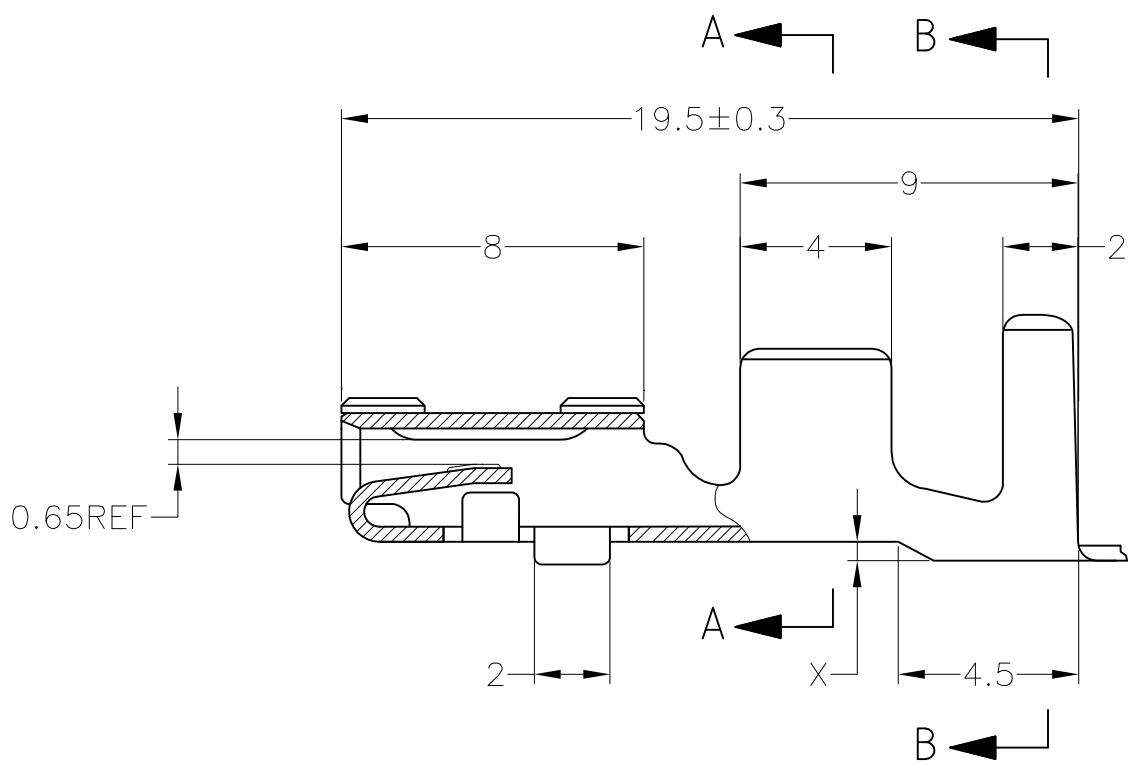
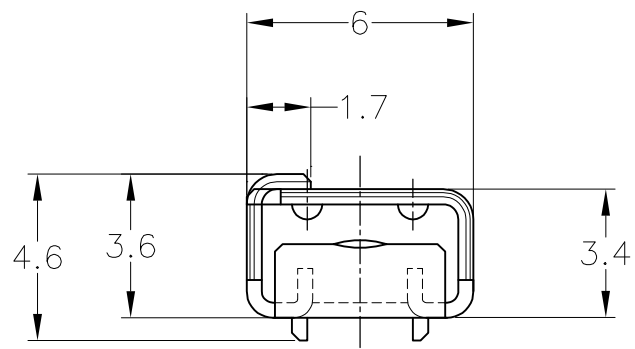
ALL RIGHTS RESERVED.

© COPYRIGHT - By -

LOC	DIST	REVISIONS			
J	-	変更			
P	LTR	DESCRIPTION	DATE	DWN	APVD
P		REVISED PER ECO-11-005140	28MAR11	RK	HMR



A-A



B-B

1. APPLIED TAB CONTACT: 175087-1 (M), 175088-1 (L)

1. 適合タブコンタクト: 175087-1 (M), 175088-1 (L)

2~3	5.5	4.7	6.9	4.9	0.8	Pre Tin	BRASS 0.4t	175091-1
0.5~1.25	4.3	3.4	5.7	3.6	0.6	Pre Tin	BRASS 0.4t	175090-1
WIRE RANGE (mm ²)	D2	D1	W2	W1	X	FINISH	MATERIAL	PART NUMBER

THIS DRAWING IS A CONTROLLED DOCUMENT.

DIMENSIONS:	TOLERANCES UNLESS OTHERWISE SPECIFIED:
単位: 耗 mm	一般公差
0 PLC	± -
1 PLC	± -
2 PLC	± -
3 PLC	± -
4 PLC	± -
ANGLES	± -

MATERIAL 材料 SEE TABLE

FINISH 仕上 SEE TABLE

DWN	M.SUGAWARA	15DEC06
CHK	T.SHINOHARA	15DEC06
APVD	K.BETSUI	15DEC06
PRODUCT SPEC	製品規格	
APPLICATION SPEC	取付適用規格	
WEIGHT	-	

NAME 名称		187 SERIES SEALED CONNECTOR RECEPTACLE CONTACT	
SIZE	A3	CAGE CODE	00779
DRAWING NO 番号	G-175090		RESTRICTED TO
CUSTOMER DRAWING		SCALE 尺度	5:1
SHEET		1 OF 1	REV P

TOLERANCES UNLESS OTHERWISE SPECIFIED:
一般公差
10 ≥ : ±0.2
30 ≥ > 10 : ±0.25
100 ≥ > 30 : ±0.3
ANGLE : ±3°